

Dell PowerEdge
C8000, C8220, C8220X,
and C8000XD

Getting Started With Your System

Začínáme se systémem

Mise en route de votre système

Erste Schritte mit dem System

Τα πρώτα βήματα με το σύστημά σας

Rozpoczęcie pracy z systemem

Начало работы с системой

Introducción al sistema

Sisteminizi Kullanmaya Başlarken

תחילת העבודה עם המערכת

Regulatory Model: B10S, B05B, and B06B

Regulatory Type: B10S001, B05B001,
B06B001, and B06B002



Dell PowerEdge
C8000, C8220, C8220X,
and C8000XD

Getting Started With Your System

Regulatory Model: B10S, B05B, and B06B

**Regulatory Type: B10S001, B05B001,
B06B001, and B06B002**



Notes, Cautions, and Warnings



NOTE: A NOTE indicates important information that helps you make better use of your computer.



CAUTION: A CAUTION indicates potential damage to hardware or loss of data if instructions are not followed.



WARNING: A WARNING indicates a potential for property damage, personal injury, or death.

Information in this publication is subject to change without notice.

© 2013 Dell Inc. All rights reserved.

Reproduction of these materials in any manner whatsoever without the written permission of Dell Inc. is strictly forbidden.

Trademarks used in this text: Dell™, the DELL logo, Dell Precision™, OptiPlex™, Latitude™, PowerEdge™, PowerVault™, PowerConnect™, OpenManage™, EqualLogic™, KACE™, FlexAddress™ and Vostro™ are trademarks of Dell Inc. Intel®, Pentium®, Xeon®, Core™, Celeron® and Xeon Phi™ are registered trademarks of Intel Corporation in the U.S. and other countries. Microsoft®, Windows®, Windows Server®, MS-DOS® and Windows Vista® are either trademarks or registered trademarks of Microsoft Corporation in the United States and/or other countries. Red Hat® and Red Hat® Enterprise Linux® are registered trademarks of Red Hat, Inc. in the United States and/or other countries. Novell® is a registered trademark and SUSE™ is a trademark of Novell Inc. in the United States and other countries. Oracle® is a registered trademark of Oracle Corporation and/or its affiliates. Citrix®, Xen®, XenServer® and XenMotion® are either registered trademarks or trademarks of Citrix Systems, Inc. in the United States and/or other countries. VMware®, Virtual SMP®, vMotion®, vCenter®, and vSphere® are registered trademarks or trademarks of VMware, Inc. in the United States or other countries. NVIDIA and Tesla™ are trademarks and/or registered trademarks of NVIDIA Corporation. Ubuntu is a registered trademark of Canonical Ltd.

Other trademarks and trade names may be used in this publication to refer to either the entities claiming the marks and names or their products. Dell Inc. disclaims any proprietary interest in trademarks and trade names other than its own.

Regulatory Model: B10S, B05B, and B06B

Regulatory Type: B10S001, B05B001, B06B001, and B06B002

2013 - 07 P/N NJK8N Rev. A04

CAUTION: Restricted Access Location

This server is intended for installation only in restricted access locations as defined where both these conditions apply:

- Access can only be gained by service persons or by users who have been instructed about the reasons for the restrictions applied to the location and about any precautions that shall be taken.
- Access is through the use of a tool or lock and key, or other means of security, and is controlled by the authority responsible for the location.

Installation and Configuration

WARNING: Before performing the following procedure, review and follow the safety instructions that came with the system.

The PowerEdge C8000 server enclosure is a flexible and scalable 4U rackmount chassis. PowerEdge C8000 features ten vertically aligned sled bays that support a full sled or a mixed sled enclosure. A full sled enclosure can include up to five C8220X double-wide compute sleds, ten C8220 single-wide compute sleds, or five C8000XD storage sleds. A mixed sled enclosure can support a mixture of differing sled types.

Recommended Tools

Before you begin the installation tasks, ensure that you have the following items:

- #1 Phillips screwdriver
- #2 Phillips screwdriver
- Wrist grounding strap connected to ground
- Antistatic mat or antistatic foam


Unpacking the System


WARNING: Whenever you need to lift the system, get others to assist you. To avoid injury, do not attempt to lift the system by yourself.


CAUTION: Wear a wrist grounding strap when handling system components.

- 1 Prepare an antistatic mat or antistatic foam to set the PowerEdge C8000 server enclosure on.
- 2 Unpack and place your enclosure on an antistatic mat or antistatic foam.
- 3 Save the cardboard containers for future use.

Installing the Tool-Less Rail Solution

 **WARNING:** Whenever you need to lift the system, get others to assist you. To avoid injury, do not attempt to lift the system by yourself.

 **WARNING:** The system is not fixed to the rack or mounted on the rails. To avoid personal injury or damage to the system, you must adequately support the system during installation and removal.

 **WARNING:** To avoid a potential electrical shock hazard, a third wire safety grounding conductor is necessary for the rack installation. The rack equipment must provide sufficient airflow to the system to maintain proper cooling.

 **CAUTION:** The rail pegs must be flush with the rack posts to install properly.



NOTE: The rack rails are marked LEFT and RIGHT. The rail marked "LEFT" attaches to the left rack posts and the rail marked "RIGHT" attaches to the right rack posts when facing the front of the rack.

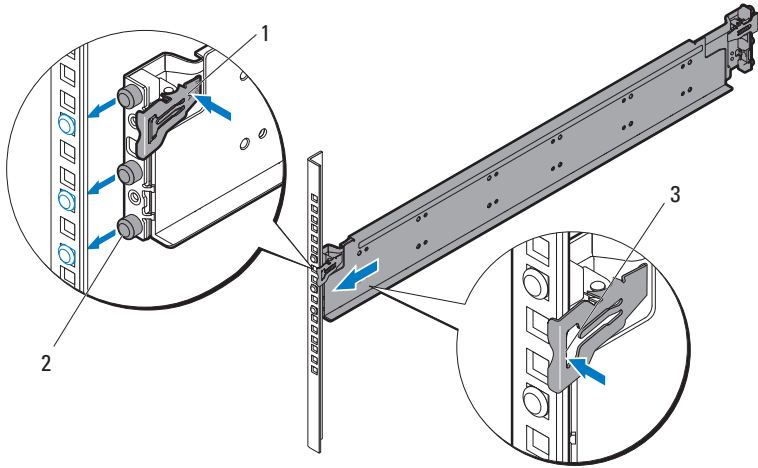
- 1 Determine where to place the rails in the rack. Make sure there is enough space in the rack for the 4U chassis. In a standard rack, the height of a 4U chassis will span 12 rack post holes.
- 2 Use the marking indicated on the left and right sides of the rail to orient the rail correctly to the rack posts.
- 3 Attach the left rail and stopping bracket to the rack.
 - a Position left rail marked "LEFT" to align with its mounting holes on the rack posts.
 - b Press and hold the rail release button ❶ to open the latch on the front end of the left rail.
 - c Align the three pegs ❷ with the mounting holes on the front rack post.
 - d Release the button ❸ when it engages to the front rack post.



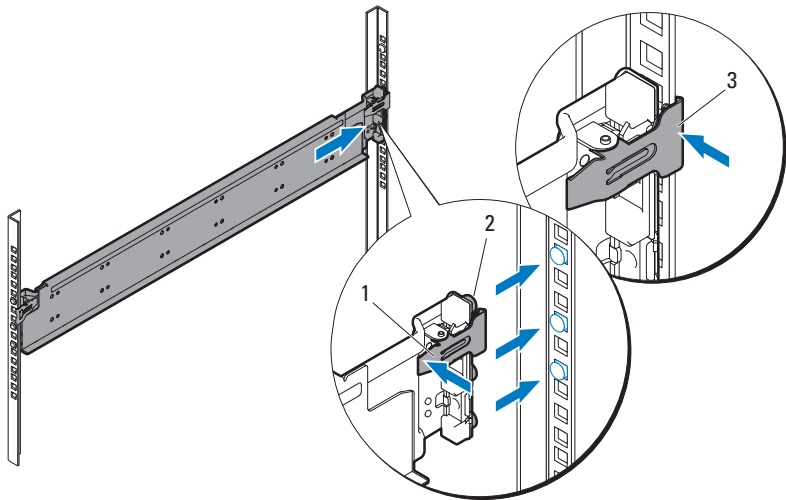
NOTE: Make sure the rail release button is engaged correctly.



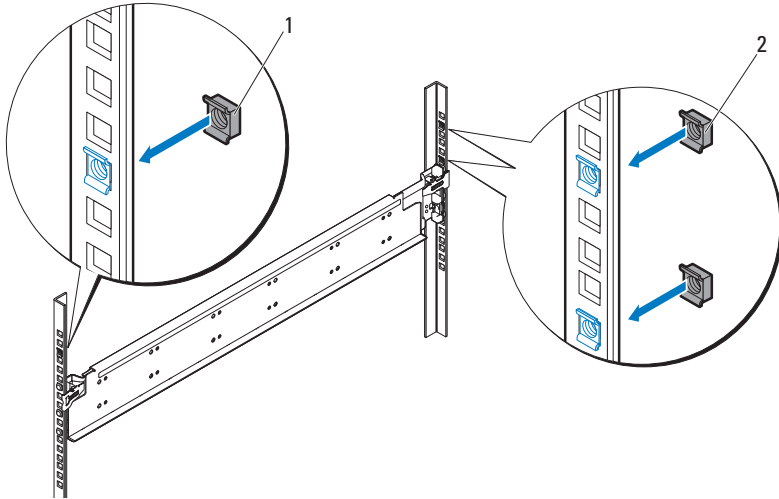
NOTE: The rails can be used in both square-hole and round-hole racks.



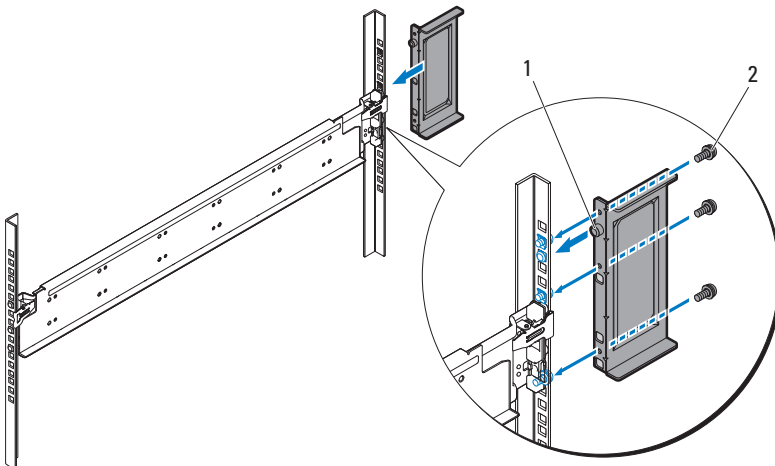
- e Press and hold the rail release button ❶ to open the latch on the back end of the rail.
- f Align the three pegs ❷ with the mounting holes on the back rack post.
- g Release the button ❸ when it engages to the back rack post.



- h Install one cage nut **1** to the front rack post and two cage nuts **2** to the back rack post.



- i Align the stopping bracket **1** to the back rack post and secure with the three 10-32 screws **2**. Apply 35 in-lbs of torque to the screws.



- 4 Attach the right rail and stopping bracket to the rack.

Use the same procedure to install the right rail and stopping bracket to the right rack posts.



NOTE: To remove the rails, press and hold on the rail release button on the end piece midpoint and unseat each rail.

Installing the System

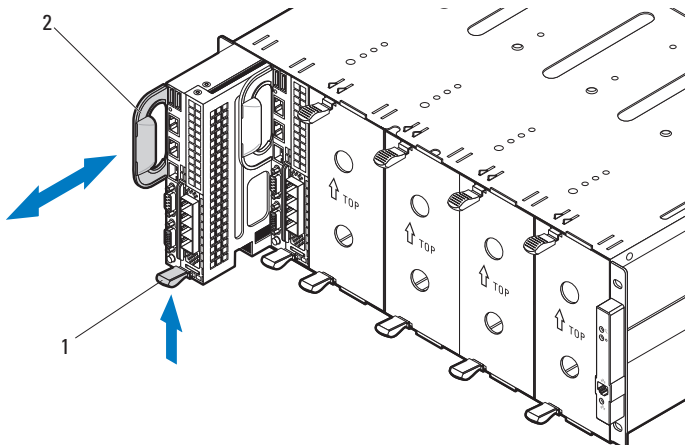
This section includes the following subsections:

- Emptying the System
- Install the System Into the Rack
- Sled Bay Numbering
- Populating the System
- Install the External PDU Into the Rack
- Rack Configuration

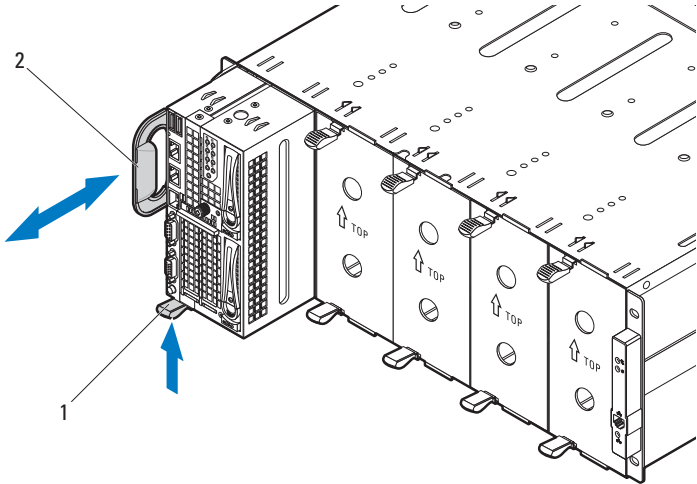
Emptying the System

Before you install a PowerEdge C8000 server enclosure into a rack, remove all sled modules from the enclosure to reduce system weight and avoid injury. Place all sled modules on an antistatic mat or antistatic foam.

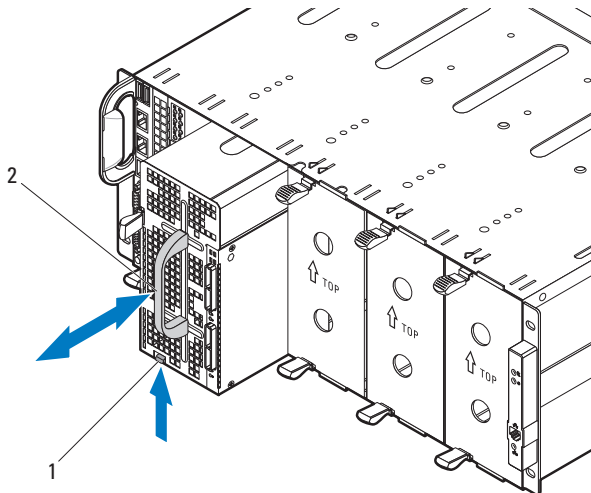
- To remove a C8220 single-wide compute sled, pull up on the release latch **1** and using the handle **2** slide the sled out of the enclosure.



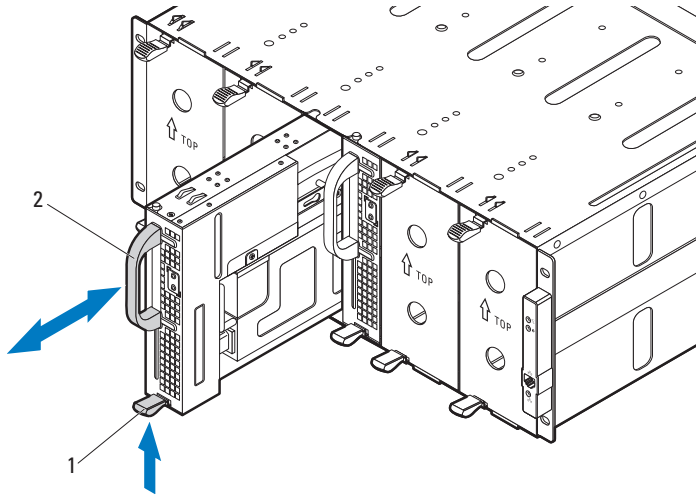
- To remove a C8220X double-wide compute sled, pull up on the release latch **1** and using the handle **2** slide the sled out of the enclosure.



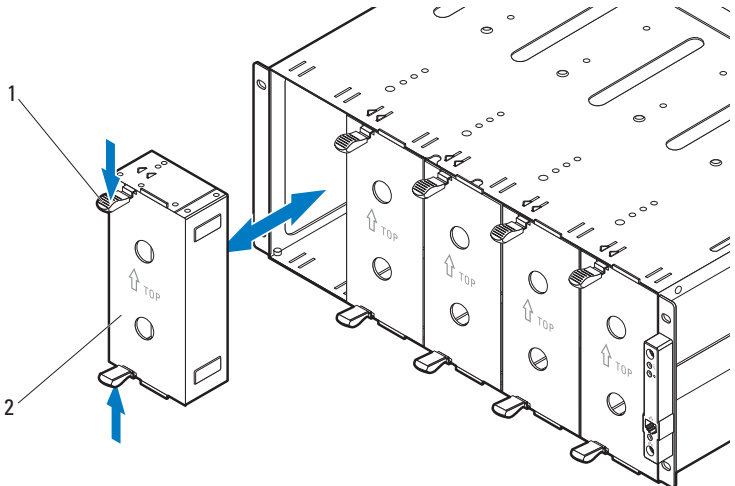
- To remove a C8000XD storage sled, pull and hold the release tab **1** and using the handle **2** slide the sled out of the enclosure.



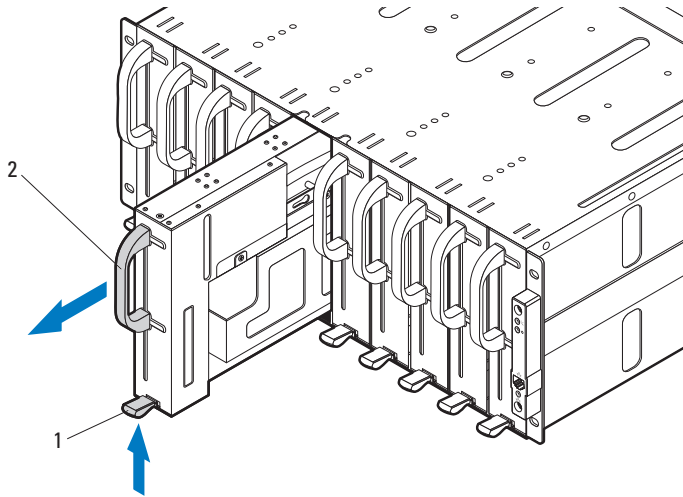
- To remove a power sled, pull up on the release latch **1** and using the handle **2** slide the sled out of the enclosure.



- To remove a double-wide sled blank, squeeze and hold the release latches **1** and pull the sled blank out of the enclosure **2**.



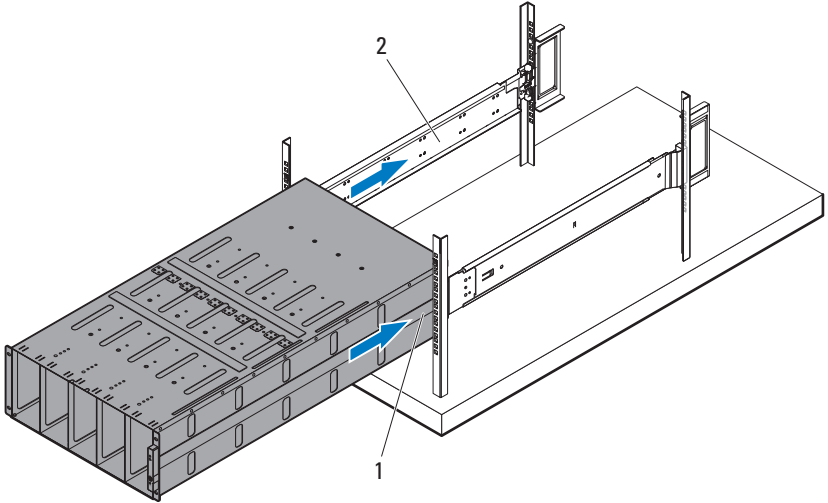
- To remove a single-wide sled blank, pull up on the release latch ❶ and using the handle ❷ slide the blank out of the enclosure.



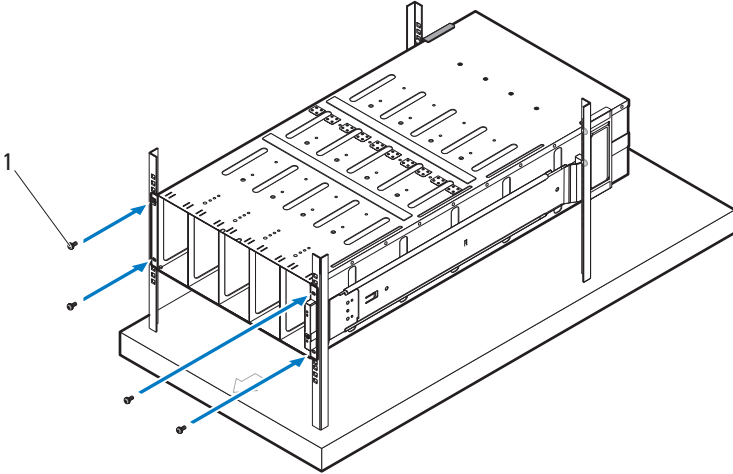
Install the System Into the Rack

⚠ WARNING: Whenever you need to lift the system, get others to assist you. To avoid injury, do not attempt to lift the system by yourself.

- 1 With assistance, align the server enclosure ❶ with the rails ❷ and push it fully into the rack.

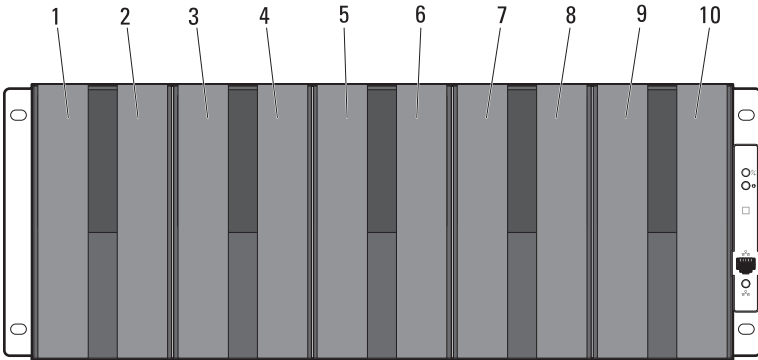


- 2 Secure the front of the enclosure to the left and right rack posts with the four 10-32 screws **1**.



Sled Bay Numbering

The PowerEdge C8000 server enclosure is divided into ten vertical bays. A C8220 single-wide compute sled occupies one sled bay in the server enclosure and a C8220X double-wide compute sled or C8000XD storage sled occupies two sled bays in the server enclosure. When installing a sled module into the server enclosure, you should install the sled module in sled bay 1 first, then work toward the right of the enclosure.



Sled module type	Sled Bays									
	1	2	3	4	5 ^a	6 ^a	7	8	9	10
C8220 single-wide compute sled	√	√	√	√	√	√	√	√	√	√
C8220X double-wide compute sled	√		√		√		√		√	
C8000XD storage sled ^b	√		√		√		√		√	
Power sled ^c	—	—	—	—	√	√	—	—	—	—

a. Sled bays 5 and 6 support installation of two power sleds or two C8220 compute sleds or a combination of the two sled types.

b. For server enclosure with internal power source, install C8000XD storage sleds in sled bays 3 to 10 only.

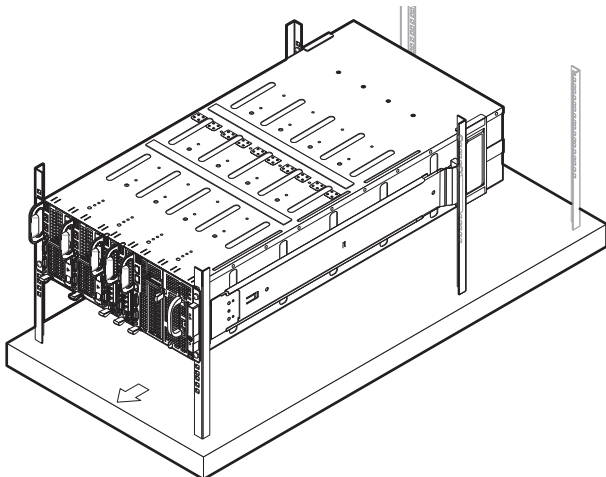
c. Install power sleds in sled bays 5 and 6 only.

Populating the System

- ▲ **CAUTION:** To ensure proper operation and cooling, all bays in the enclosure must be populated at all times with either a sled or with a sled blank.
- ▲ **CAUTION:** To maintain proper system cooling, all empty hard-drive slots must have hard-drive blanks installed.

Install all components into the PowerEdge C8000 server enclosure.

- To install a C8220 single-wide compute sled, slide the new sled into the enclosure until the sled is fully seated and the release latch snaps into place.
- To install a C8220X double-wide compute sled, slide the new sled into the enclosure until the sled is fully seated and the release latch snaps into place.
- To install a C8000XD storage sled, slide the new sled into the enclosure until the sled is fully seated and the release tab snaps into place.
- To install a power sled, slide the new sled into the enclosure until the sled is fully seated and the release latch snaps into place.
- To install a double-wide sled blank, slide the blank into the enclosure until it is fully seated and the release latches snap into place.
- To install a single-wide sled blank, slide the blank into the enclosure until it is fully seated and the release latch snaps into place.



Install the External PDU Into the Rack

! **WARNING:** Whenever you need to lift the system, get others to assist you. To avoid injury, do not attempt to lift the system by yourself.

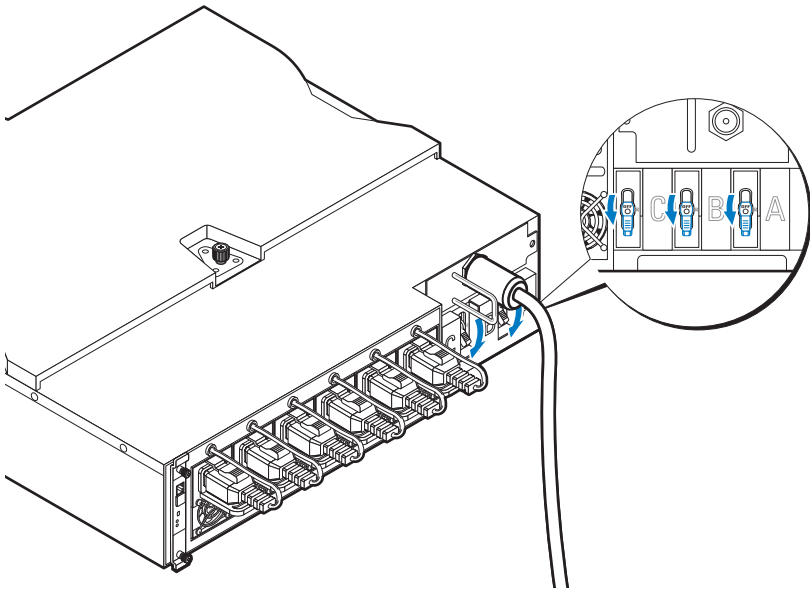
📎 **NOTE:** The PDU device illustrations are provided as reference only. See PDU device documentation for more information about the PDU device.

📎 **NOTE:** The PDU mounting brackets are marked L and R. The rail marked "L" attaches to the left of the PDU device and the rail marked "R" attaches to the right of the PDU device.

! **WARNING:** Do not connect or disconnect power cables to the PDU device while the PDU is energized.

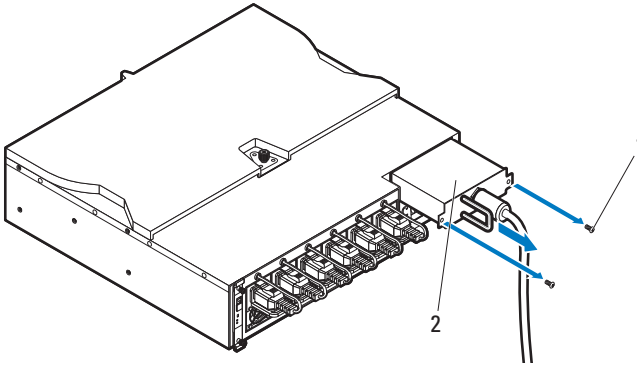
! **WARNING:** Turn off the PDU breaker switches to avoid potentially serious or fatal electric shock.

- 1 Turn off the PDU breaker switches by moving the A, B, and C breaker switches to the "OFF" position.

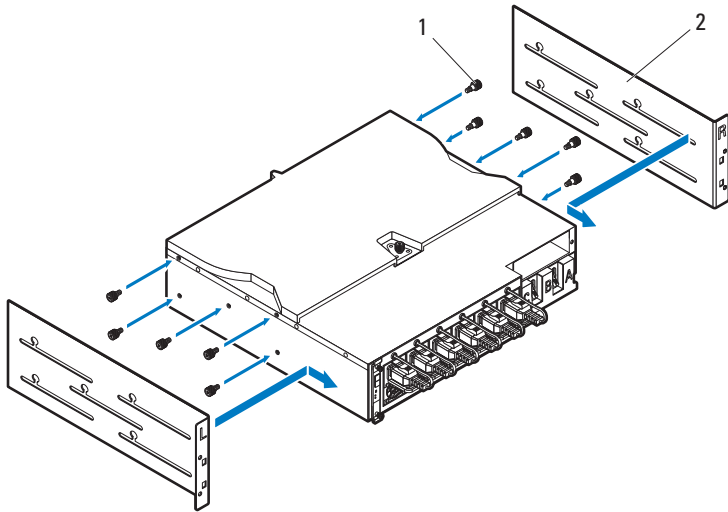


- 2 Disconnect the PDU from the power source.

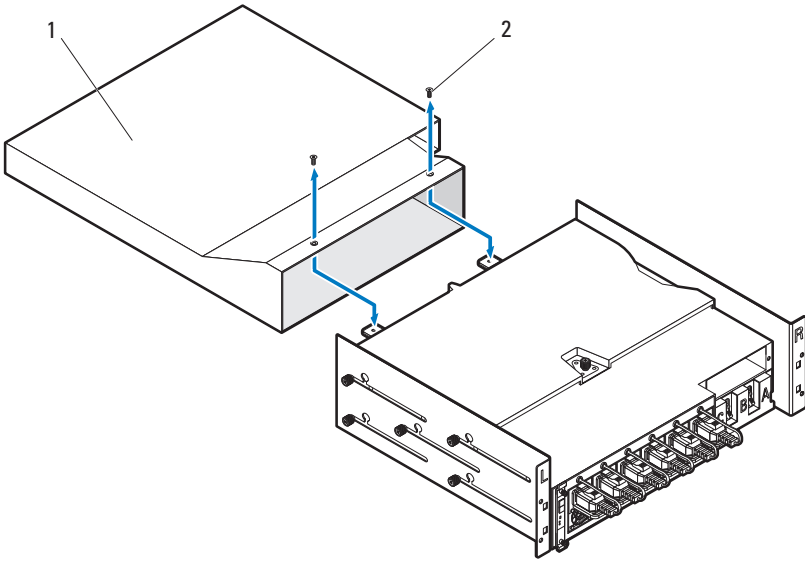
- 3** Remove the power cable interface box (PCIB) module.
 - a** Remove the two screws **1** securing the PCIB module.
 - b** Grasp the PCIB handle and pull it out of its bay **2**.



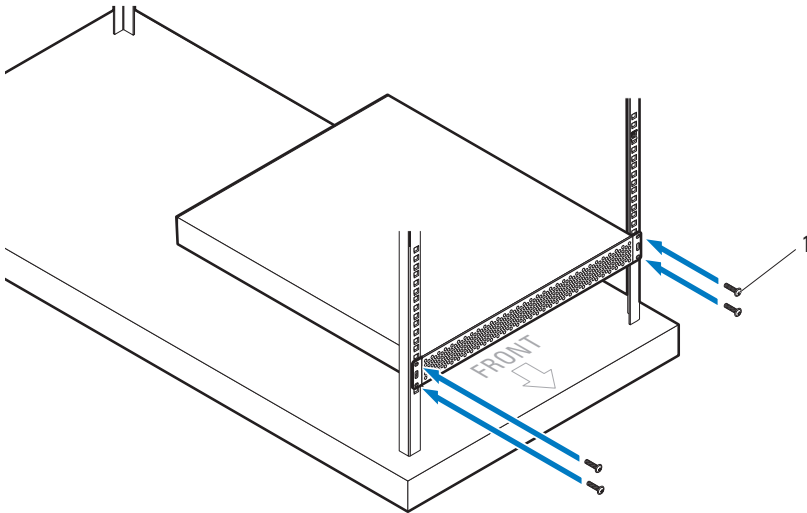
- 4** Attach the mounting brackets to the sides of the PDU.
 - a** Affix the ten screws **1** to the left and right sides of the PDU.
 - b** Position the left mounting bracket marked "L" to align the screw holes with the screws on the PDU and slide the mounting bracket toward the back of the PDU until it locks into place **2**.
 - c** Position the right mounting bracket marked "R" to align the screw holes with the screws on the PDU and slide the mounting bracket toward the back of the PDU until it locks into place **2**.



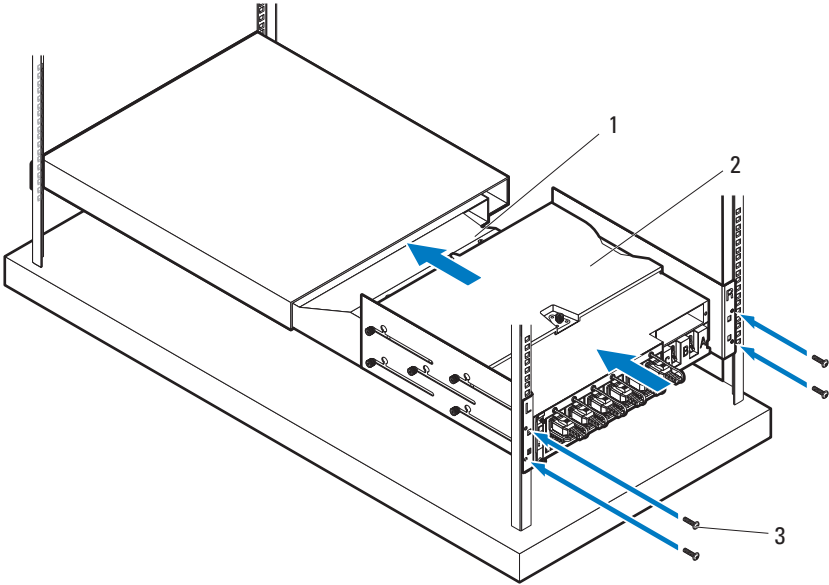
- 5** Install the snorkel to the PDU.
 - a** Remove the air duct from the snorkel.
 - b** Align the air duct **1** with the front of the PDU.
 - c** Secure the air duct to the front of the PDU with the two screws **2**.



- d Align the snorkel with the rack posts.
- e Secure the snorkel to the rack posts with the four screws **1**.




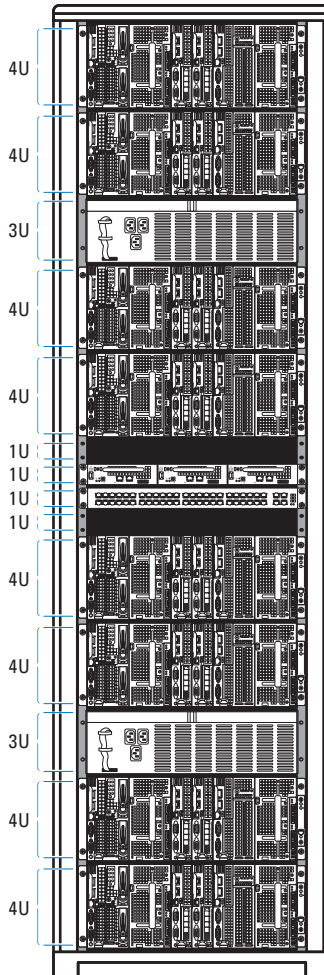
- 6 With assistance, slide the air duct ① into the snorkel and secure the back of the PDU ② to the rack posts with four screws ③.



Rack Configuration

The following illustration shows a sample rack configuration with PowerEdge C8000 server enclosures, power distribution unit (PDU) devices, switch and router in a 42U rack.

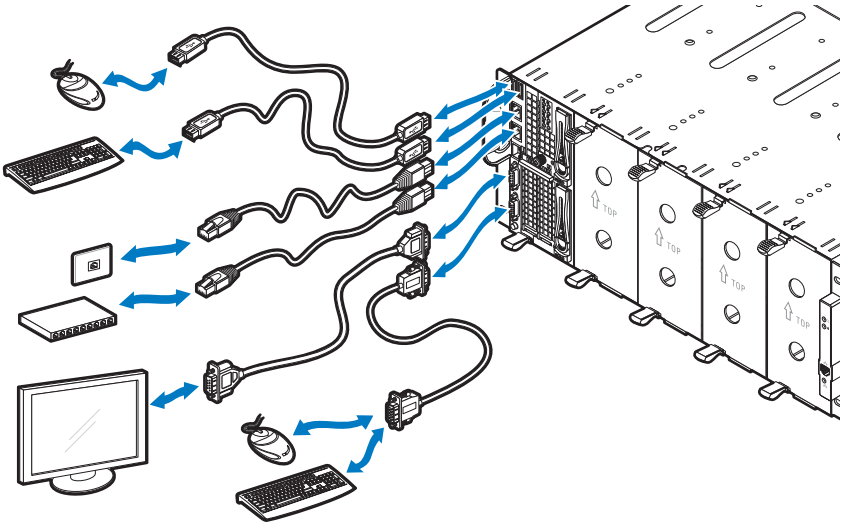
 **NOTE:** The rack configuration illustration is provided as reference only.



Connecting the Keyboard, Mouse, and Monitor

Connect a keyboard, mouse, and monitor to the compute sled (optional).

The following figure shows a sample keyboard, mouse, and monitor connection to a C8220X double-wide compute sled.

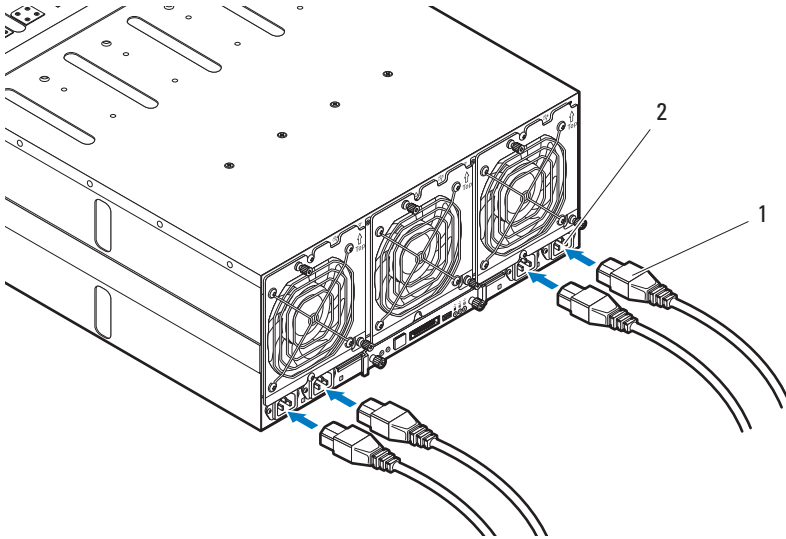


Connecting the Power Cables

This section includes instructions on how to connect the server enclosure with internal or external power source to an external PDU.

Server Enclosure with Internal Power Source

- 1 On the back of the enclosure, connect the power cables ❶ to the AC power sockets ❷.

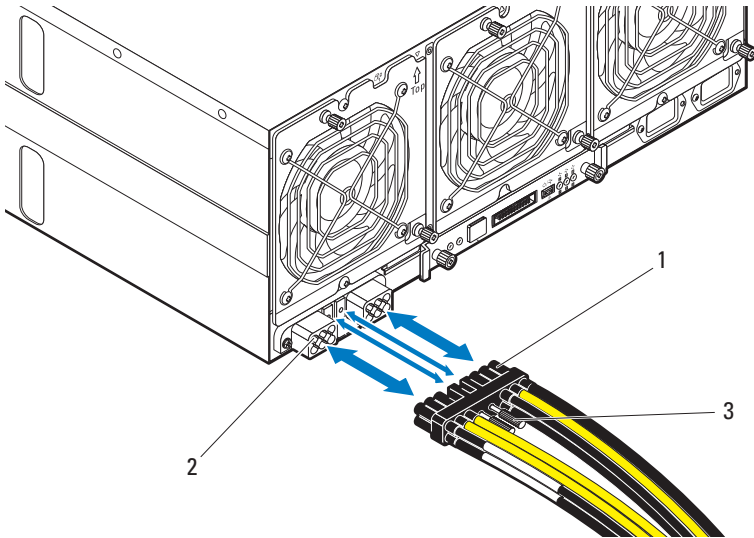


- 2 Plug the other end of the power cables into a grounded electrical outlet or a separate power source such as an uninterruptible power supply or the PDU.

Server Enclosure with External Power Source

⚠ WARNING: Make sure power is turned off on all devices before making connections.

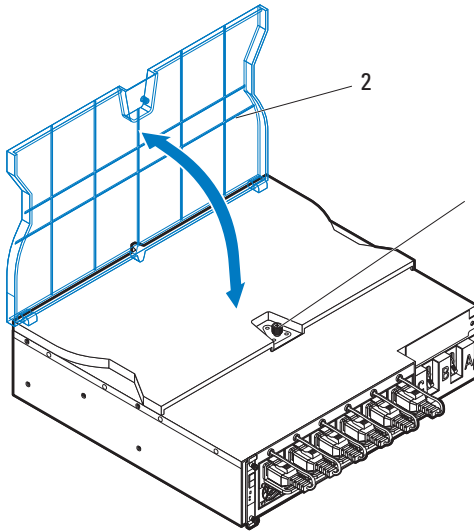
- 1 On the back of the enclosure, connect the power cable ❶ to the DC power socket ❷.
- 2 Tighten the two center screws ❸ on the cable to secure the connection.



Connecting the Server Enclosure to a Rack PDU

⚠ WARNING: Do not connect or disconnect power cables to the PDU device while the PDU is energized. Turn off the PDU breaker switches to avoid potentially serious or fatal electrical shock. Move the PDU A, B, and C breaker switches to the "OFF" position.

- 1 Unlock the cable cover ❶.
- 2 Rotate the cover ❷ back and away from the PDU.

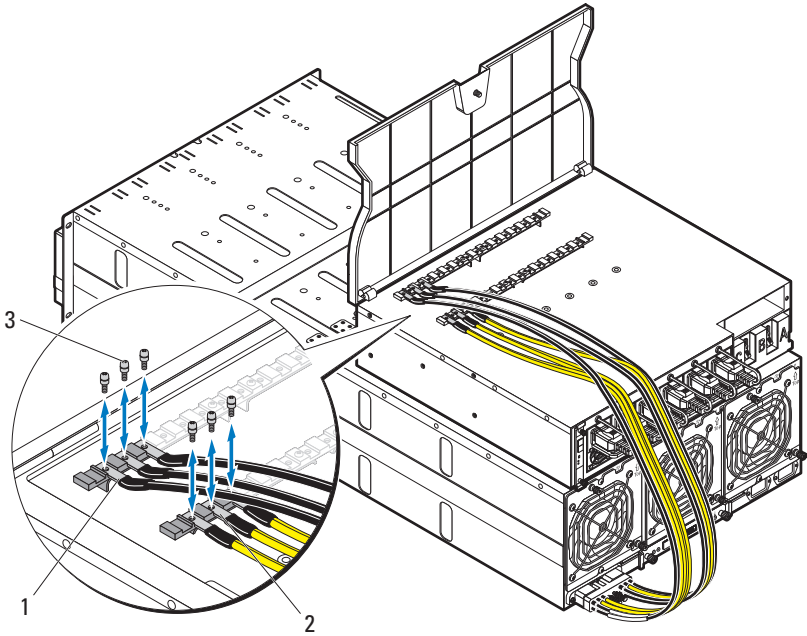


- 3 Attach the server enclosure(s) power cables to the PDU power bus bar.

🔧 NOTE: The PDU device supports a maximum of five PowerEdge C8000 server enclosures depending on the system configuration and power budget.

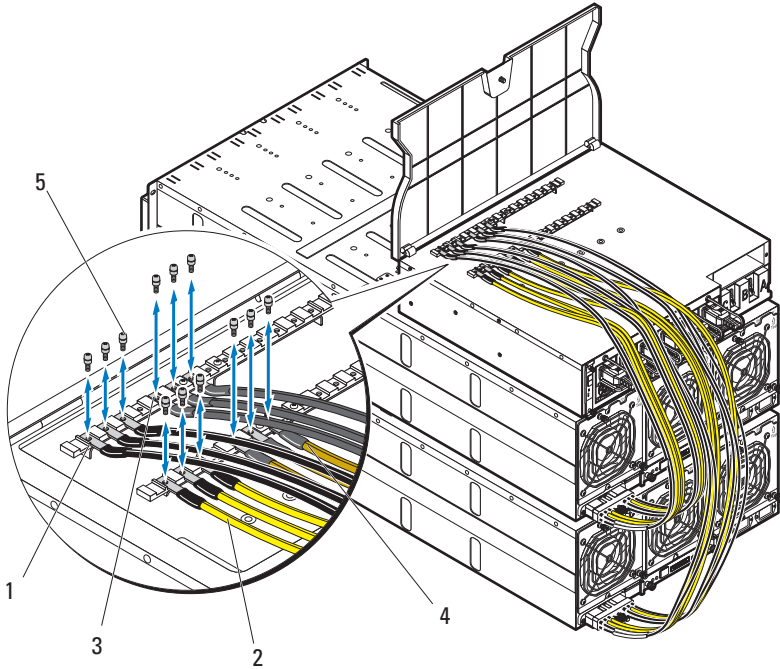
To connect a single server enclosure to the PDU:

- a Secure the three black power cable lugs ❶ to the top power bus bar (GND) with the three screws ❸.
- b Secure the three yellow power cable lugs ❷ to the bottom power bus bar with the three screws ❸.



To connect multiple server enclosures to the PDU:

- a** Secure the first server enclosure's three black power cable lugs **1** to the top power bus bar (GND) with the three screws **5**.
- b** Secure the first server enclosure's three yellow power cable lugs **2** to the bottom power bus bar with the three screws **5**.
- c** Secure the second server enclosure's three black power cable lugs **3** to the top power bus bar (GND) with the three screws **5**.
- d** Secure the second server enclosure's three yellow power cable lugs **4** to the bottom power bus bar with the three screws **5**.

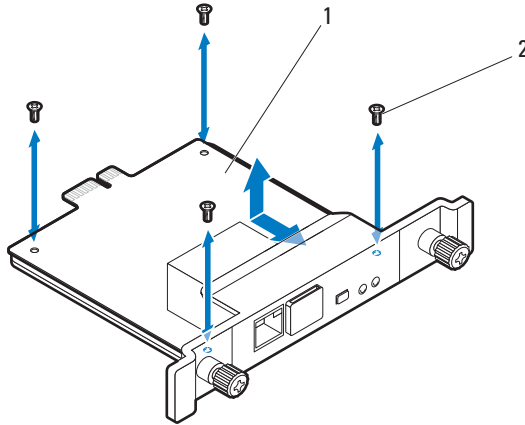


NOTE: Ensure that all power cords are connected properly and securely to the PDU power bus bars.

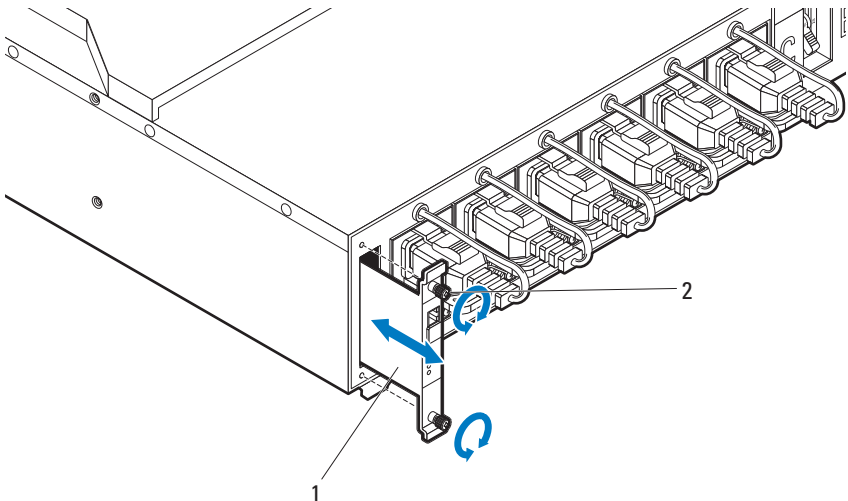
- 4 Close the cable cover and secure to the PDU.

Connecting the PDU to the Network

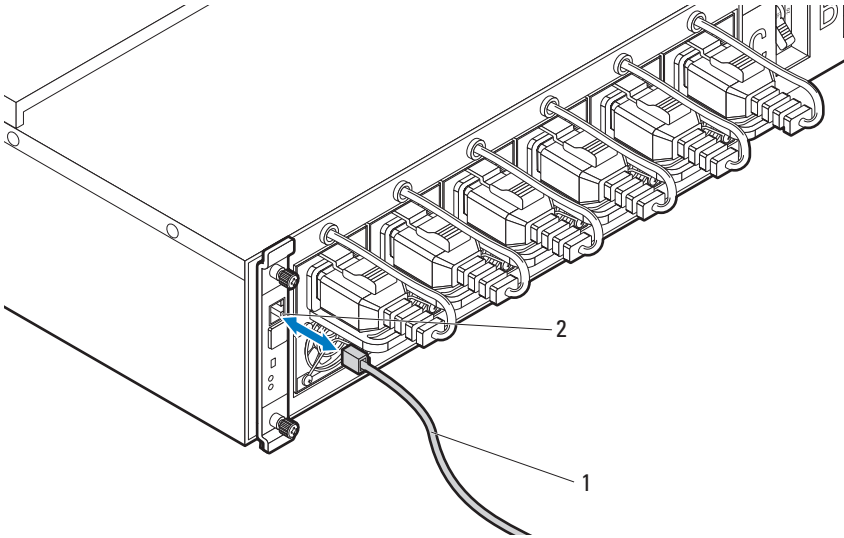
- 1** Install the power management controller (PMC) into the PDU and connect to your network.
 - a** Secure the PMC board **1** to the PMC tray with the four screws **2**.



- b** Insert the PMC assembly **1** to the PDU and secure with the two thumbscrews **2**.



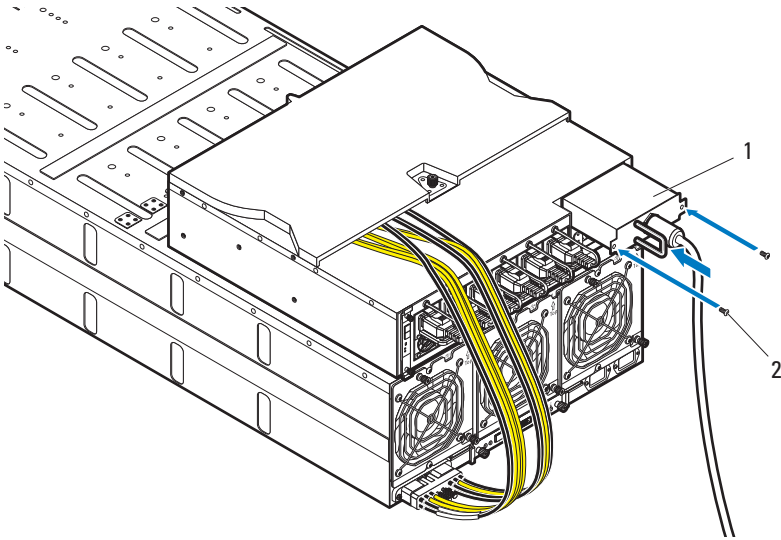
- c Connect the network cable ❶ to the NIC port ❷.



Powering Up the Systems

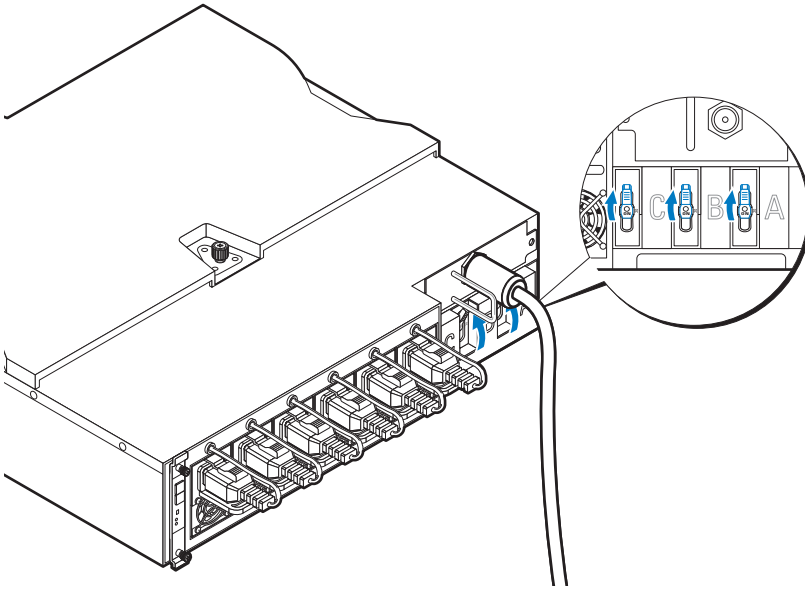
Turning on the PDU

- 1 Install the PCIB module into the PDU.
 - a Insert the PCIB module into the PCIB bay ❶.
 - b Secure the PCIB module to the PDU with the two screws ❷.




- 2 Connect the PDU to the power source.

- 3 Turn on the PDU breaker switches by moving the A, B, and C breaker switches to the "ON" position.



- 4 To enable monitoring of the PDU device over the network, turn on the PMC board by pressing the power button, located on the PMC board. When power is applied to the PDU, the power/status indicator on the front of the PMC board will light up green.

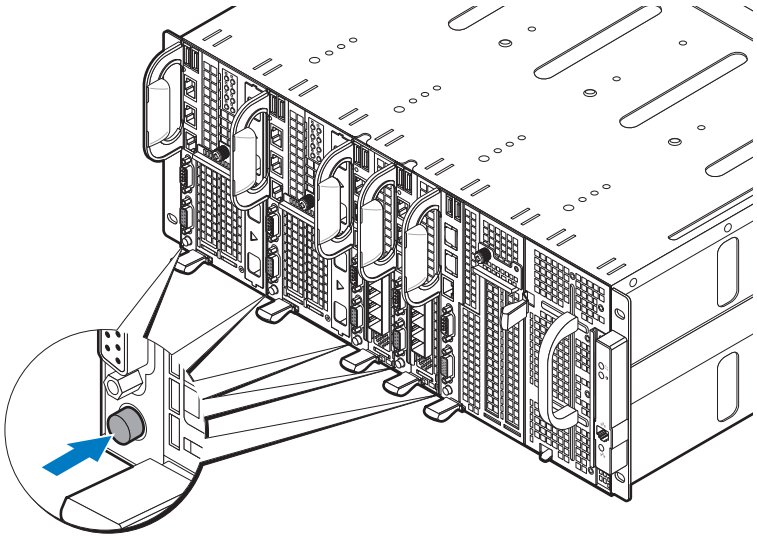
 **NOTE:** The PMC board and PDU device illustrations in this guide are provided as reference only. See PDU device documentation for more information about the PMC board and PDU device.

Turning On the Server Enclosure

When connected to a power source, main power is automatically distributed to the server enclosure. After the server enclosure is powered up the power/event indicator on the front of the enclosure will light up green and main power is applied to all sleds in the enclosure.

Turning On the Sleds

To turn on the C8220 or C8220X compute sled, press the power button on each sled, or power on the sled using the baseboard management controller. When power is applied to the sled, the power-on indicator on front of the sled will light up green. When installed into the server enclosure, the C8000XD storage sled automatically powers on. See Using the Baseboard Management Controller Guide at dell.com/support/manuals.



Complete the Operating System Setup

To install an operating system for the first time, see the installation and configuration documentation for your operating system. Be sure the operating system is installed before installing hardware or software not purchased with the system.

Supported Operating Systems

- Citrix XenServer Enterprise Edition 5.6
- Citrix XenServer Enterprise Edition 6.1
- Microsoft Windows Server 2008 Enterprise Edition Release 2 (64-bit)
- Microsoft Windows Server 2012
- Microsoft Windows HPC 2008 Release 2
- Microsoft HyperV
- Red Hat Enterprise Linux 6.1 (64-bit)
- Red Hat Enterprise Linux 6.3 (64-bit)
- SUSE Linux Enterprise Server 11 SP2 (64-bit)
- Ubuntu 12.04.1 LTS 64-bit
- VMware ESXi 5.0
- VMware ESXi 5.0 U1
- VMware ESXi 5.0 U2
- VMware ESX 5.1
- VMware ESXi 5.1 U1



NOTE: For the latest information on supported operating systems, see dell.com/ossupport.

Other Information You May Need



WARNING: See the safety and regulatory information that shipped with your system. Warranty information may be included within this document or as a separate document.

- The PowerEdge C8000 Hardware Owner's Manual for information about the server enclosure features, troubleshooting, and component replacement. This document is available at dell.com/support/manuals.
- The PowerEdge C8220 Hardware Owner's Manual for information about system features, troubleshooting, and component replacement. This document is available at dell.com/support/manuals.
- The PowerEdge C8220X Hardware Owner's Manual for information about system features, troubleshooting, and component replacement. This document is available at dell.com/support/manuals.
- The PowerEdge C8000XD Hardware Owner's Manual for information about system features, troubleshooting, and component replacement. This document is available at dell.com/support/manuals.
- The Baseboard Management Controller Guide provides information about installing and using the systems management utility. This document is available at dell.com/support/manuals.



NOTE: Always check for updates and read the updates first because they often supersede information in other documents.

NOM Information

PowerEdge C8000

The following information is provided on the device described in this document in compliance with the requirements of the official Mexican standards (NOM):

Importer:	Dell Inc. de México, S.A. de C.V. Paseo de la Reforma 2620-11° Piso Col. Lomas Altas 11950 México, D.F.
Model number:	B10S
Supply voltage:	200–240 V CA (with four 1400 W AC Power Supply Unit) or 12 V DC (with external PDU)
Frequency:	50–60 Hz
Current consumption:	9 A (x4) (with four 1400 W AC Power Supply Unit) or 480 A (with external PDU)

PowerEdge C8220

The following information is provided on the device described in this document in compliance with the requirements of the official Mexican standards (NOM):

Importer:	Dell Inc. de México, S.A. de C.V. Paseo de la Reforma 2620-11° Piso Col. Lomas Altas 11950 México, D.F.
Model number:	B05B
Supply voltage:	12 V DC
Current consumption:	42 A

PowerEdge C8220X

The following information is provided on the device described in this document in compliance with the requirements of the official Mexican standards (NOM):

Importer:	Dell Inc. de México, S.A. de C.V. Paseo de la Reforma 2620-11° Piso Col. Lomas Altas 11950 México, D.F.
Model number:	B06B
Supply voltage:	12 V DC
Current consumption:	92 A

PowerEdge C8000XD

The following information is provided on the device described in this document in compliance with the requirements of the official Mexican standards (NOM):

Importer:	Dell Inc. de México, S.A. de C.V. Paseo de la Reforma 2620-11° Piso Col. Lomas Altas 11950 México, D.F.
Model number:	B06B
Supply voltage:	12 V DC
Current consumption:	30 A

Technical Specifications

Compute Sled Specifications (Per Sled)

Processor

Processor type Two Intel Xeon E5 series processors

Processor socket Two LGA 2011

System chipset

Platform Controller Hub Intel X79

Network Controller Intel i350-BT2

Video Controller Aspeed AST2300

Memory

Memory type DDR3 UDIMM, RDIMM, LRDIMM

Memory module sockets 16 DIMM sockets

Memory module capacities 2 GB, 4 GB, 8 GB, 16 GB, and 32 GB RDIMMs

Minimum RAM 512 MB UDIMM; 1 GB RDIMM

Maximum RAM 128 GB UDIMMs; 256 GB RDIMMs

No. of memory channels (Per CPU) 4 channels

Storage device

PowerEdge C8220 single-wide compute sled

- 3 Gb/s SATA port x 4
- 6 Gb/s SATA port x 2
- 2.5-inch SATA HDDs x2

PowerEdge C8220X double-wide compute sled

- 3 Gb/s SATA port x 4
- 6 Gb/s SATA port x 2
- 2.5-inch SATA HDDs x 2
- 2.5-inch SAS/SATA HDDs x 8 or 3.5-inch SAS/SATA HDDs x 4
- 2.5-inch hot-plug SAS/SATA HDDs x 2 (PowerEdge C8220X with front-access 2.5-inch hot-plug hard drives)

Compute Sled Specifications (Per Sled)(continued)

Graphics card

PowerEdge C8220X double-wide compute sled	PowerEdge C8220X with GPGPU/MIC <ul style="list-style-type: none">• NVIDIA Tesla M2090• NVIDIA Tesla K20• Intel Xeon Phi 5110P
---	--

Expansion slots

PowerEdge C8220 single-wide compute sled	<ul style="list-style-type: none">• One x16 PCI Express 2.0 slot• One x8 mezzanine slot
PowerEdge C8220X double-wide compute sled	<ul style="list-style-type: none">• Two x8 PCI Express 3.0 slot (x16 connector type)• One x8 mezzanine slot
PowerEdge C8220X with GPGPU/MIC double-wide compute sled	<ul style="list-style-type: none">• One x16 PCI Express 3.0 slot via single riser• One x16 PCI Express 3.0 slot via cable• One x8 mezzanine slot

Interfaces

BMC management port	1 front
NIC	Two 1Gb NIC ports
Serial	1 front
VGA	1 front
USB	2 front
UID LED	1 front

Power

Batteries

System battery	CR 2032 3.0-V lithium ion coin cell
RAID battery (optional)	3.7 V lithium ion battery pack

Storage Sled Specifications (Per Sled)

HDD Sled Configuration

Dual port mode (redundant)	Standard carrier
Single port mode (non-redundant)	<ul style="list-style-type: none">• Standard carrier• Flexible carrier• Expansion carrier
Expansion mode (non-zoning/ two zone/four zone)	Expansion carrier

Storage device

Standard carrier	3.5-inch SAS/SATA/SSD HDD x 12
Flexible carrier	2.5-inch SAS/SATA/SSD HDD x 12
Expansion carrier	2.5-inch SSD HDD x 24

Interface

Mini-SAS	4 front
----------	---------

Power Sled Specifications (Per Sled)

Interfaces

Power LED	2 front
Power connector	2 DC connector (12 V & GND)

Power supply module (per power supply)

Wattage	1400 W
Connector	IEC C20
Voltage	200–240 V AC, 50–60 Hz, 9 A max
Heat dissipation	1205 BTU/hr. maximum
Maximum inrush current	Under typical line conditions and over the entire system ambient operating range, the inrush current may reach 25 A per power supply for 10 ms or less

Server Enclosure Specifications

Physical

Height	17.5 cm (6.9 in.)
Width	44.7 cm (17.6 in.)
Depth	81.3 cm (32.0 in.)
Weight (empty)	17.93 kg (39.53 lbs.)

Sled Support

Server enclosure with internal power source	<ul style="list-style-type: none">• Up to 8 C8220 single-wide compute sleds• Up to 4 C8220X double-wide compute sleds• Up to 4 C8000XD storage sleds• Up to 2 power sleds
Server enclosure with external PDU	<ul style="list-style-type: none">• Up to 10 C8220 single-wide compute sleds• Up to 5 C8220X double-wide compute sleds• Up to 5 C8000XD storage sleds

Interfaces

NIC	Two 10/100Mbit NIC ports (1 front, 1 back)
Serial	1 back
Power/event LED	2 (1 front, 1 back)
UID LED	2 (1 front, 1 back)
Ethernet activity LED	1 front
Thermal sensor	1 front
System fan module failure LED	3 back

System fans

Fan type	3 fan modules (2 fans per module/6 total)
----------	---

Power

DC power supply

Voltage

with external PDU 12 V DC, 50–60 Hz, 680 A max with 6 PSU populated

Environmental

NOTE: For additional information about environmental measurements for specific system configurations, see the dell.com/environmental_datasheets.

Temperature

Operating 10 °C to 35 °C (50 °F to 95 °F) with a maximum temperature gradation of 10 °C per hour

Storage -40 °C to 65 °C (40 °F to 149 °F) with a maximum temperature gradation of 20 °C per hour

Relative Humidity

Operating 20% to 80% (noncondensing) with a maximum humidity gradation of 10% per hour

Storage 5% to 95% (noncondensing)

Maximum vibration

Operating 0.26 Grms at 5–350 Hz

Storage 1.87 Grms at 10–500 Hz for 15 min

Maximum shock

Operating One shock pulse in the positive z axis (one pulse on each side of the system) of 31 G for 2.6 ms in the operational orientation

Storage Six consecutively executed shock pulses in the positive and negative x, y, and z axes (one pulse on each side of the system) of 71 G for up to 2 ms;

Six consecutively executed shock pulses in the positive and negative x, y, and z axes (one pulse on each side of the system) of 27 G faired square wave pulse with velocity change at 235 inches/second (597 centimeters/second)

Environmental*(continued)*

Altitude

Operating

-16 to 3,048 m (-50 to 10,000 ft.)

NOTE: For altitudes above 2,950 feet, the maximum operating temperature is derated to 1°F/550 ft.

Storage

-16 to 10,600 m (-50 to 35,000 ft.)

Airborne Contaminant Level

Class

G1 as defined by ISA-S71.04-1985

Dell PowerEdge
C8000, C8220, C8220X
a C8000XD

Začínáme
se systémem

Směrnicev model: B10S, B05B a B06B
Směrnicev typ: B10S001, B05B001,
B06B001 a B06B002



Poznámky a upozornění



POZNÁMKA: POZNÁMKA označuje důležité informace, které pomáhají lepšímu využití počítače.



UPOZORNĚNÍ: UPOZORNĚNÍ označuje nebezpečí poškození hardwaru nebo ztráty dat v případě nedodržení pokynů.



VAROVÁNÍ: VAROVÁNÍ upozorňuje na potenciální nebezpečí poškození majetku, úrazu nebo smrti.

Informace v této publikaci se mohou bez předchozího upozornění změnit.

© 2013 Dell Inc. Všechna práva vyhrazena.

Jakákoli reprodukce těchto materiálů bez písemného povolení společnosti Dell Inc. je přísně zakázána.

Ochranné známky použité v tomto textu: Dell™, logo DELL, Dell Precision™, OptiPlex™, Latitude™, PowerEdge™, PowerVault™, PowerConnect™, OpenManage™, EqualLogic™, KACE™, FlexAddress™ a Vostro™ jsou ochranné známky společnosti Dell Inc. Intel®, Pentium®, Xeon®, Core™, Celeron® a Xeon Phi™ jsou registrované ochranné známky společnosti Intel Corporation v USA a dalších zemích. Microsoft®, Windows®, Windows Server®, MS-DOS® a Windows Vista® jsou ochranné známky nebo registrované ochranné známky společnosti Microsoft Corporation v USA a dalších zemích. Red Hat® a Red Hat® Enterprise Linux® jsou registrované ochranné známky společnosti Red Hat, Inc. v USA a dalších zemích. Novell® je registrovaná ochranná známka a SUSE™ je ochranná známka společnosti Novell Inc. v USA a dalších zemích. Oracle® je registrovaná známka společnosti Oracle Corporation a/nebo jejích přidružených společností. Citrix®, Xen®, XenServer® a XenMotion® jsou registrované ochranné známky nebo ochranné známky společnosti Citrix Systems, Inc. v USA a dalších zemích. VMware®, Virtual SMP®, vMotion®, vCenter® a vSphere® jsou registrované ochranné známky nebo ochranné známky společnosti VMWare, Inc. v USA a dalších zemích. NVIDIA a Tesla™ jsou ochranné známky a/nebo registrované ochranné známky společnosti NVIDIA Corporation. Ubuntu je registrovaná ochranná známka společnosti Canonical Ltd.

V této publikaci mohou být použity další ochranné známky a obchodní názvy s odkazem na společnosti vlastnící tyto známky a názvy nebo na jejich produkty. Společnost Dell Inc. nemá vlastnické zájmy vůči ochranným známkám a obchodním názvům jiným než svým vlastním.

Smírníkový model: B10S, B05B a B06B

Smírníkový typ: B10S001, B05B001, B06B001 a B06B002

2013 - 07 C. dílu NJK8N Rev. A04

UPOZORNĚNÍ: Umístění s omezeným přístupem

Tento server je určen k instalaci pouze na místa s omezeným přístupem, jak jsou definována příslušnými normami, kde platí obě tyto podmínky:

- Přístup mohou získat pouze servisní pracovníci nebo uživatelé, kteří byli poučeni o důvodech omezení platného pro umístění a o veškerých bezpečnostních opatřeních, jež je nutné dodržovat.
- Přístup je poskytován za použití nástroje nebo zámku a klíče nebo je jinak zabezpečen a je řízen představitelem zodpovědným za toto umístění.

Instalace a konfigurace

VAROVÁNÍ: Před provedením následujícího postupu si prostudujte bezpečnostní pokyny dodané se systémem a řiďte se jimi.

Serverová skříň PowerEdge C8000 je flexibilní a škálovatelné šasi velikosti 4U pro instalaci do stojanu. Serverová skříň PowerEdge C8000 obsahuje deset svislých pozic pro zásuvné moduly. Lze ji využít jako plnou skříň pro zásuvné moduly i skříň pro kombinaci různých zásuvných modulů. Plná skříň pro zásuvné moduly může obsahovat až patery výpočetní zásuvné moduly dvojité šířky C8220X, desaterý výpočetní zásuvné moduly běžné šířky C8220 nebo patery úložné zásuvné moduly C8000XD. Skříň pro kombinaci různých zásuvných modulů může obsahovat mix různých typů zásuvných modulů.

Doporučené nástroje

Než začnete s montáží, ujistěte se, že máte k dispozici následující položky:

- Šroubovák Phillips #1
- Šroubovák Phillips #2
- Zemnicí náramek připojený k zemi
- Antistatickou podložku nebo antistatickou pěnu

Rozbalení systému






VAROVÁNÍ: Při každém zvedání systému požádejte o asistenci. Systém nezvedejte sami, vyvarujete se tak možného zranění.


UPOZORNĚNÍ: Při manipulaci s komponenty systému používejte zemnicí náramek.


- 1 K montáži serverové skříň PowerEdge C8000 si připravte antistatickou podložku nebo antistatickou pěnu.

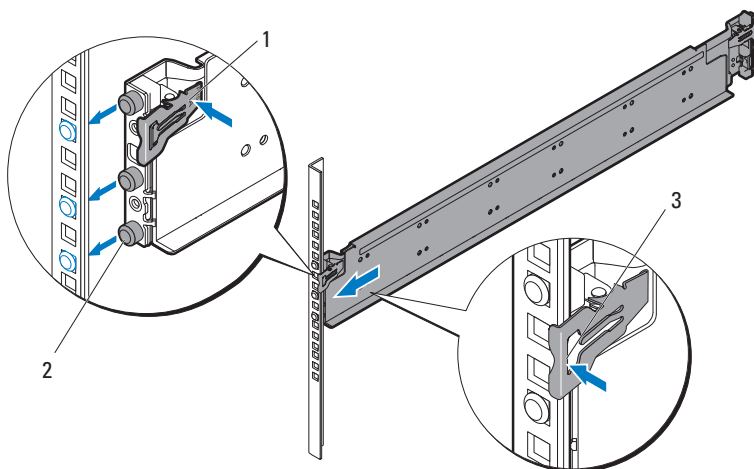
- 2 Skříň rozbalte a umístěte na antistatickou podložku nebo antistatickou pěnu.
- 3 Kartonové krabice si uchovejte pro další použití.

Instalace stojanového řešení s přístupem bez nářadí

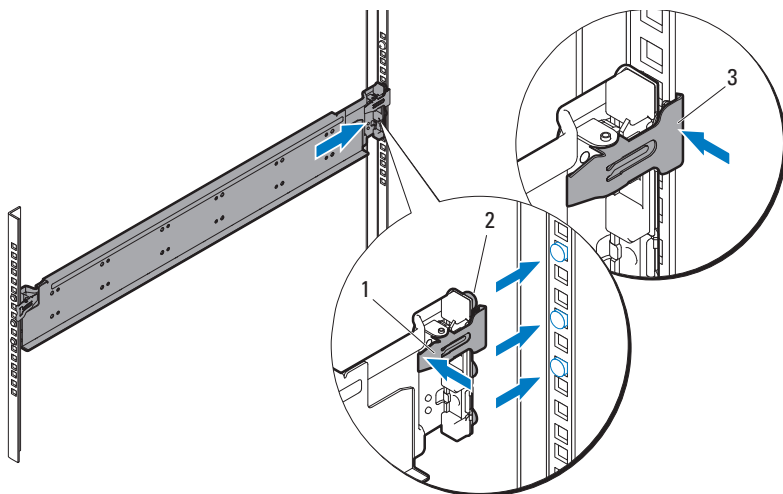
-  **VAROVÁNÍ:** Při každém zvedání systému požádejte o asistenci. Systém nezvedejte sami, vyvarujete se tak možného zranění.
-  **VAROVÁNÍ:** Systém není připevněn ke stojanu ani ke kolejničkám. Chcete-li předejít možnosti zranění osob nebo poškození systému, je třeba systém během instalace a vyjímání dostatečně stabilizovat.
-  **VAROVÁNÍ:** Chcete-li předejít nebezpečí úrazu elektrickým proudem, je nutné při instalaci do stojanu použít třetí bezpečnostní zemnicí vodič. Stojanové vybavení musí systému poskytovat dostatečný průchod vzduchu a zajišťovat tak dostatečné chlazení.
-  **UPOZORNĚNÍ:** Při správné montáži musí být kolíky kolejniček zarovnané s podpěrami stojanu.
-  **POZNÁMKA:** Kolejničky stojanu jsou označeny jako LEFT (LEVÁ) a RIGHT (PRAVÁ). Postavíte-li se před přední stranu stojanu, pak kolejnička označená jako „LEFT“ (LEVÁ) se připojuje k podpěrám stojanu na levé straně a kolejnička označená jako „RIGHT“ (PRAVÁ) se připojuje k podpěrám stojanu na pravé straně.
- 1 Rozhodněte, kam ve stojanu kolejničky umístíte. Ujistěte se, že je ve stojanu dostatek prostoru pro šasi o velikosti 4U. Ve standardním stojanu zabere šasi o výšce 4U dvanáct otvorů v podpěrách stojanu.
 - 2 Ke správné orientaci kolejniček vůči podpěrám stojanu použijte značky uvedené na levé a pravé straně kolejniček.
 - 3 Připevněte ke stojanu levou kolejničku a zarážku.
 - a Usad'te levou kolejničku označenou jako „LEFT“ (LEVÁ) tak, aby byla vyrovnána s upevňovacími otvory na podpěrách stojanu.
 - b Západku v přední části levé kolejničky otevřete stisknutím a podržením uvolňovacího mechanismu kolejniček ❶.
 - c Vyrovnajte tři kolíky ❷ s upevňovacími otvory na přední podpěře stojanu.
 - d Jakmile dojde k usazení k přední podpěře stojanu, uvolněte mechanismus ❸.

 **POZNÁMKA:** Dbejte na správné usazení uvolňovacího mechanismu kolejniček.

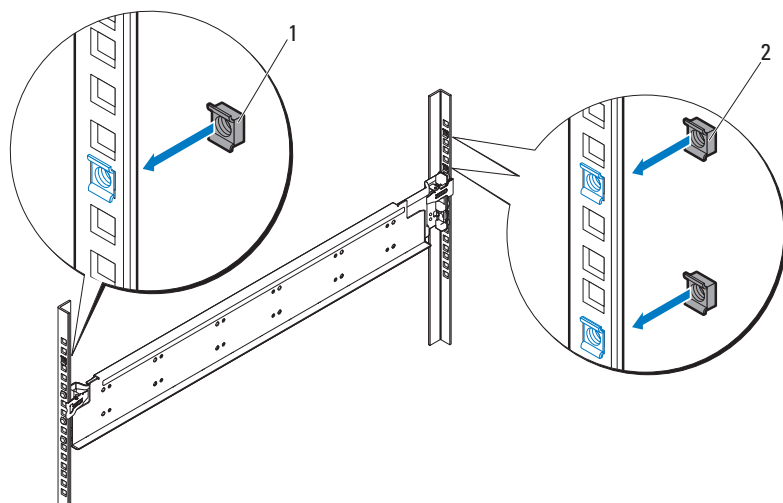
 **POZNÁMKA:** Kolejničky lze použít ve stojanech se čtvercovými i kulatými otvory.



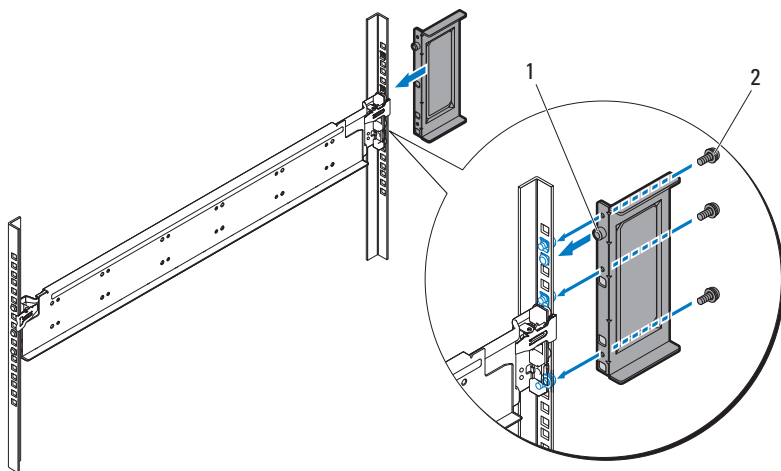
- e Západku v zadní části kolejniček otevřete stisknutím a podržením uvolňovacího mechanismu kolejniček ❶.
- f Vyrovnajte tři kolíky ❷ s upevňovacími otvory na zadní podpěře stojanu.
- g Jakmile dojde k usazení k zadní podpěře stojanu, uvolněte mechanismus ❸.



- h** Do přední podpěry stojanu namontujte jednu klecovou matici **1** a do zadní podpěry stojanu dvě klecové matice **2**.



- i** Vyrovnějte zarážku **1** se zadní podpěrou stojanu a upevněte ji třemi šroubky 10-32 **2**. Dotáhněte šroubky s vynaložením krouticího momentu 4 Nm (35 lbf in).



- 4 Připevněte ke stojanu pravou kolejničku a zarážku.

Obdobně postupujte i při montáži pravé kolejničky a zarážky k pravým podpěrám stojanu.



POZNÁMKA: Chcete-li kolejničky vyjmout, stiskněte a podržte uvolňovací mechanismus kolejniček ve středu koncovky kolejničky a kolejničky odstraňte.

Instalace systému

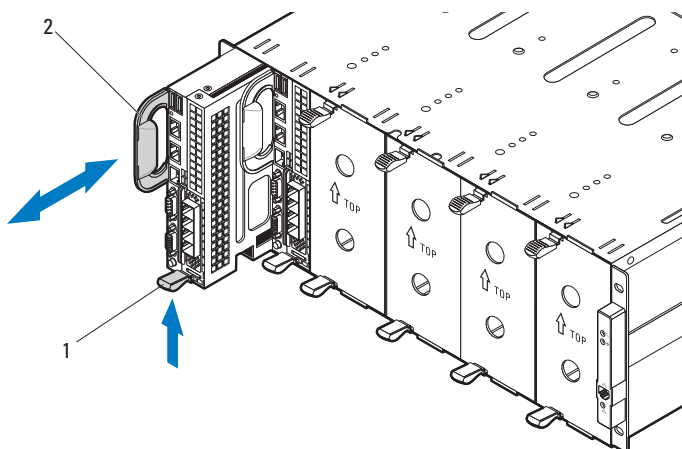
Tento oddíl obsahuje následující pododdíly:

- Jak systém vyprázdnit
- Instalace systému do stojanu
- Číslování pozic zásuvných modulů
- Jak systém zaplnit
- Namontujte do stojanu vnější jednotku rozvaděče (PDU)
- Konfigurace stojanu

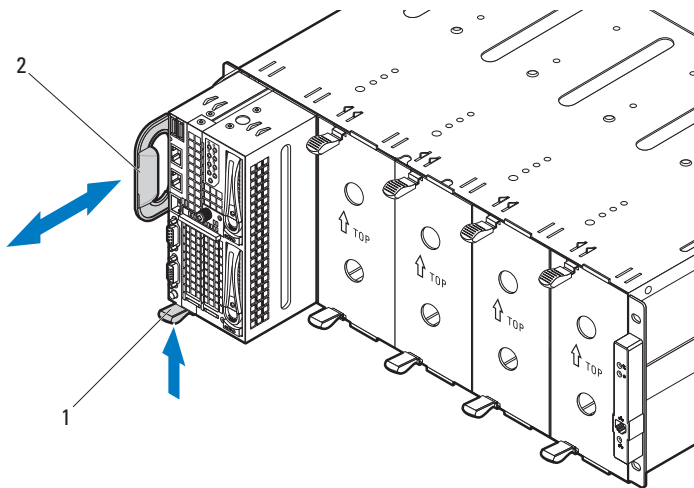
Jak systém vyprázdnit

Před montáží serverové skříně PowerEdge C8000 do stojanu ze skříně odstraňte veškeré zásuvné moduly, čímž snížíte hmotnost systému a předejdete riziku zranění. Zásuvné moduly umístěte na antistatickou podložku nebo antistatickou pěnu.

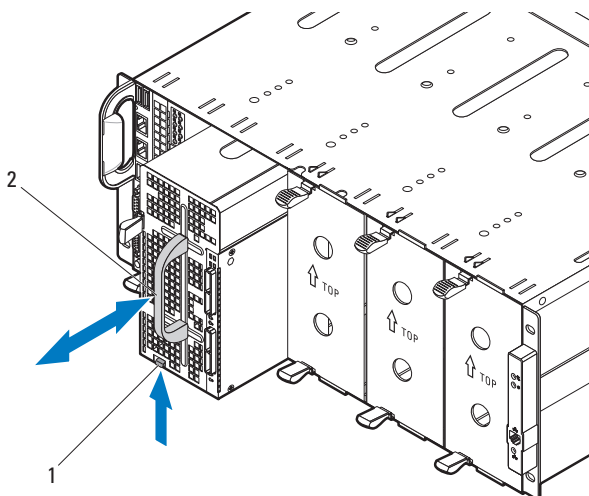
- Výpočetní zásuvné moduly běžné šířky C8220 vyjměte nadzdvihnutím uvolňovací západky ❶. S pomocí držadla ❷ vysuňte zásuvné moduly ze skříně.



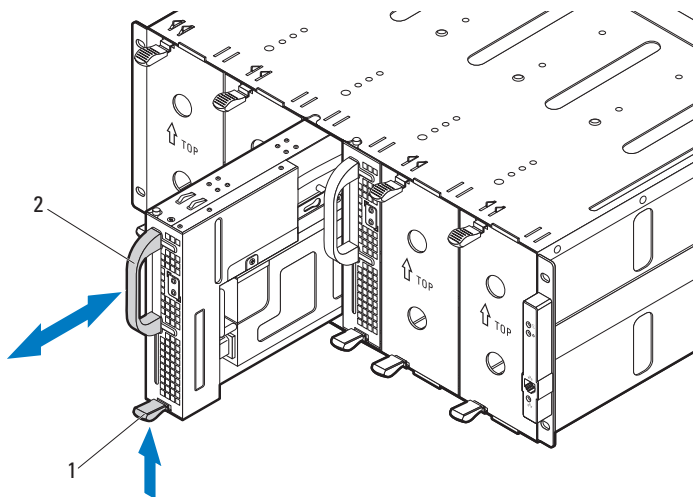
- Výpočetní zásuvné moduly dvojité šířky C8220X vyjměte nadzdvihnutím uvolňovací západky ❶. S pomocí držadla ❷ vysuňte zásuvné moduly ze skříně.



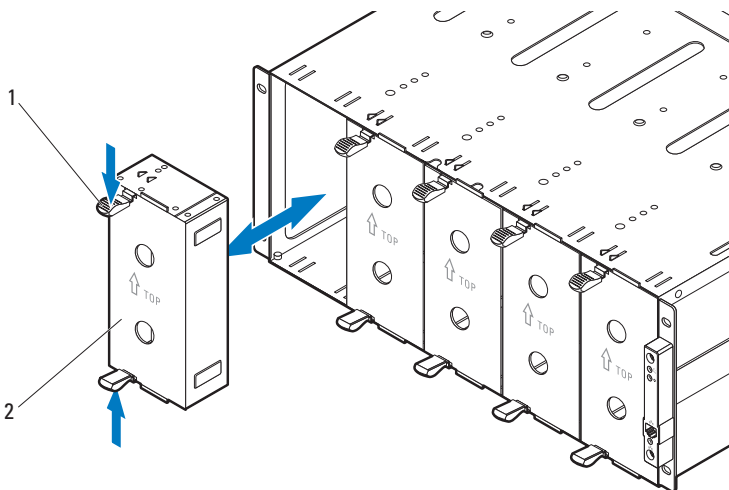
- Úložné zásuvné moduly C8000XD vyjměte zatáhnutím a podržením uvolňovací západky ❶. S pomocí držadla ❷ vysuňte zásuvné moduly ze skříně.



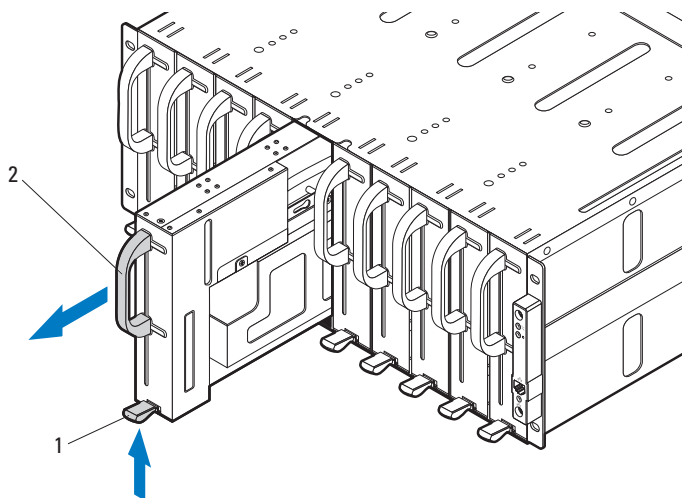
- Napájecí zásuvné moduly vyjměte nadzdvihnutím uvolňovací západky **1**. S pomocí držadla **2** vysuňte zásuvné moduly ze skříně.



- Záslepku zásuvných modulů dvojitě šířky vyjměte stisknutím a podržením uvolňovacích západek **1**. Poté záslepku zásuvných modulů odstraňte ze skříně **2**.



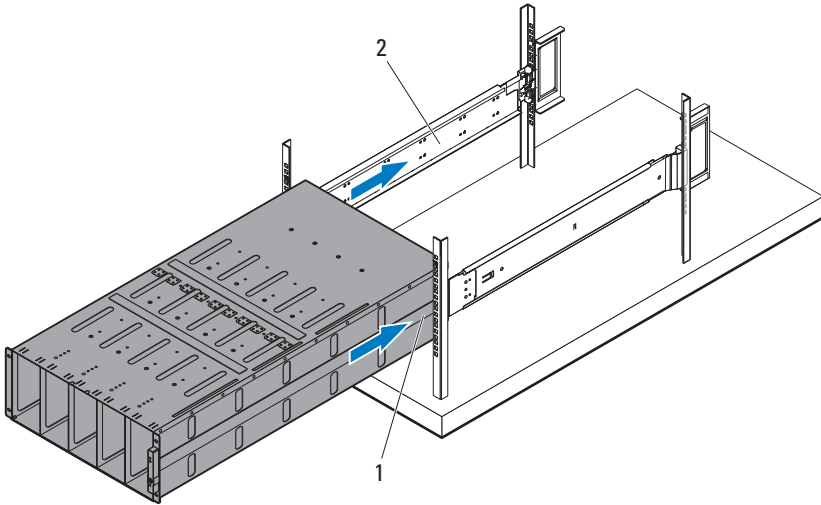
- Záslepku zásuvných modulů běžné šířky vyjměte nadzdvihnutím uvolňovací západky ❶. S pomocí držadla ❷ vysuňte záslepku ze skříně.



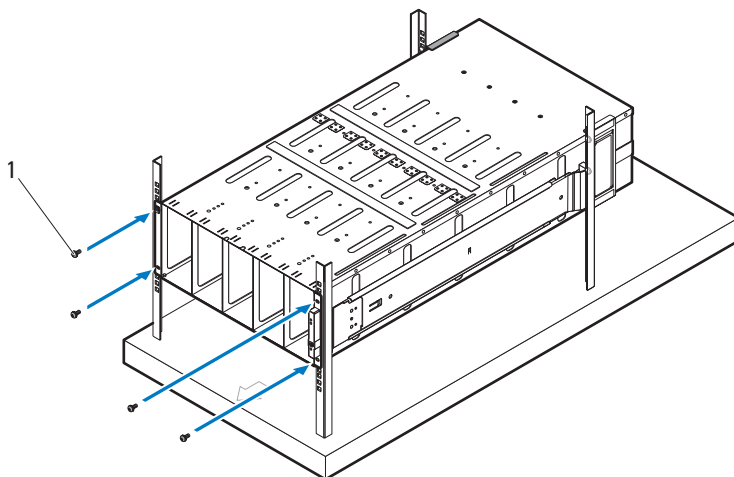
Instalace systému do stojanu

! **VAROVÁNÍ:** Při každém zvedání systému požádejte o asistenci. Systém nezvedejte sami, vyvarujete se tak možného zranění.

- 1 S pomocí další osoby vyrovnejte serverovou skříň **1** s kolejnicemi **2** a zcela ji zasuňte do stojanu.

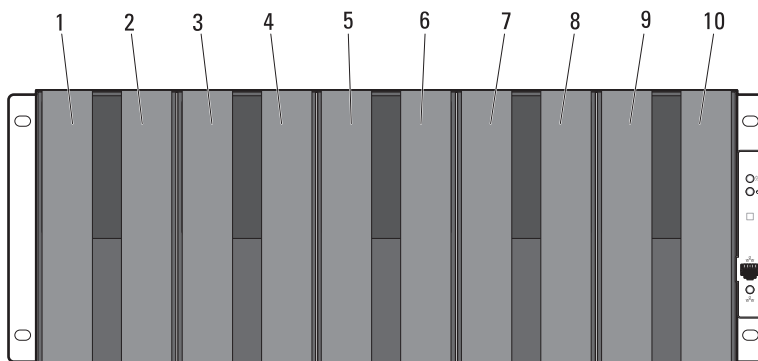


- 2 Upevněte přední část skříně k levé a pravé podpěře stojanu prostřednictvím čtyř šroubků 10-32 ❶.



Číslování pozic zásuvných modulů

Serverová skříň PowerEdge C8000 je rozdělena na deset svislých pozic. Výpočetní zásuvný modul běžné šířky C8220 obsadí v serverové skříni jednu pozici, zatímco výpočetní zásuvný modul dvojitě šířky C8220X a úložný zásuvný modul C8000XD obsadí dvě pozice. Při instalaci zásuvného modulu do serverové skříňe byste měli nejprve nainstalovat zásuvný modul do pozice 1 a následně pokračovat směrem doprava.



Typ zásuvného modulu	Pozice pro zásuvné moduly									
	1	2	3	4	5 ^a	6 ^a	7	8	9	10
Výpočetní zásuvný modul běžné šířky C8220	✓	✓	✓	✓	✓	✓	✓	✓	✓	✓
Výpočetní zásuvný modul dvojitě šířky C8220X		✓		✓		✓		✓		✓
Úložný zásuvný modul C8000XD ^b		✓		✓		✓		✓		✓
Napájecí zásuvný modul ^c	—	—	—	—	✓	✓	—	—	—	—

a. Pozice pro zásuvné moduly 5 a 6 podporují instalaci dvou napájecích zásuvných modulů nebo dvou výpočetních zásuvných modulů C8220 nebo kombinaci těchto dvou typů.

b. U serverové skříni s vnitřním zdrojem napájení namontujte úložné zásuvné moduly C8000XD pouze do pozic pro zásuvné moduly 3 až 10.

c. Napájecí zásuvné moduly lze montovat pouze do pozic 5 a 6.

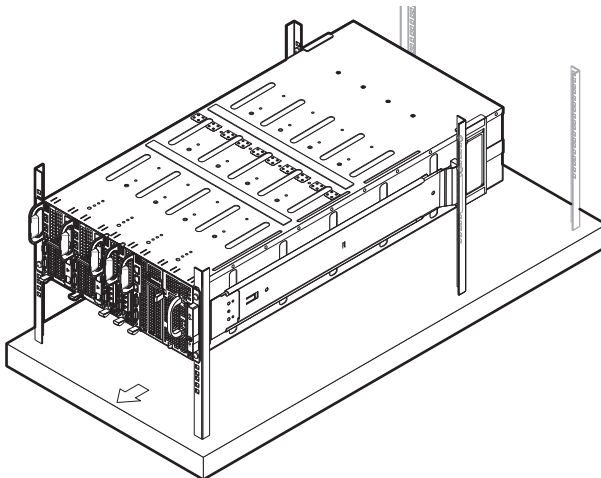
Jak systém zaplnit

△ **UPOZORNĚNÍ:** V zájmu řádného fungování a chlazení musí být všechny pozice ve skříni vždy zaplněny zásuvnými moduly nebo záslepkou.






△ **UPOZORNĚNÍ:** Chcete-li zajistit správné chlazení systému, je třeba do všech prázdných slotů pro pevné disky nainstalovat záslepky.

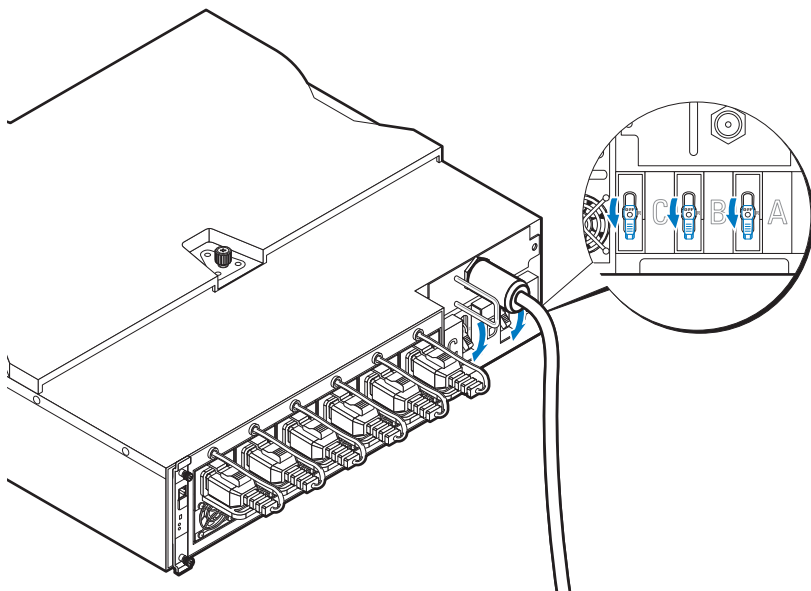
Nainstalujte do serverové skříně PowerEdge C8000 všechny komponenty.

- Chcete-li nainstalovat výpočetní zásuvný modul běžné šířky C8220, zasuňte jej do skříně, dokud nebude pevně usazen a uvolňovací západka nezaklapne na místo.
- Chcete-li nainstalovat výpočetní zásuvný modul dvojité šířky C8220X, zasuňte jej do skříně, dokud nebude pevně usazen a uvolňovací západka nezaklapne na místo.
- Chcete-li nainstalovat úložný zásuvný modul C8000XD, zasuňte jej do skříně, dokud nebude pevně usazen a uvolňovací západka nezaklapne na místo.
- Chcete-li nainstalovat napájecí zásuvný modul, zasuňte jej do skříně, dokud nebude pevně usazen a uvolňovací západka nezaklapne na místo.
- Chcete-li nainstalovat záslepku zásuvného modulu dvojité šířky, zasuňte ji do skříně, dokud nebude pevně usazena a uvolňovací západka nezaklapne na místo.
- Chcete-li nainstalovat záslepku zásuvného modulu běžné šířky, zasuňte ji do skříně, dokud nebude pevně usazena a uvolňovací západka nezaklapne na místo.



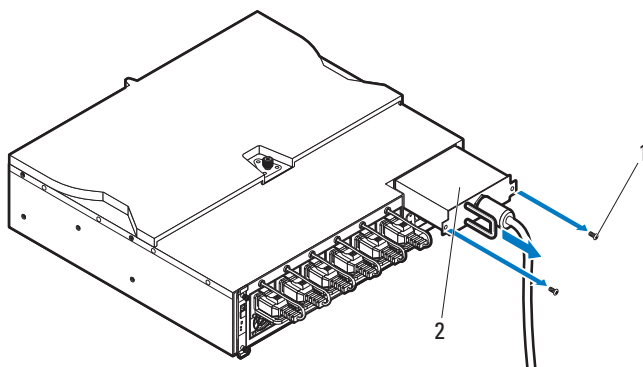
Namontujte do stojanu vnější jednotku rozvaděče (PDU)

-  **VAROVÁNÍ:** Při každém zvedání systému požádejte o asistenci. Systém nezvedejte sami, vyvarujete se tak možného zranění.
-  **POZNÁMKA:** Obrázky jednotky rozvaděče jsou pouze ilustrační. Více informací o jednotce rozvaděče zjistíte v dokumentaci k jednotce rozvaděče.
-  **POZNÁMKA:** Držáky jednotky rozvaděče jsou označeny písmeny L a R. Kolejnička označená jako „L“ se připojuje na levou stranu jednotky rozvaděče a kolejnička označená jako „R“ se připojuje na pravou stranu jednotky rozvaděče.
-  **VAROVÁNÍ:** Pokud je jednotka rozvaděče pod proudem, nepřipojujte k ní ani od ní neodpojujte napájecí kabely.
-  **VAROVÁNÍ:** Chcete-li předejít možnému závažnému či smrtelnému úrazu elektrickým proudem, vypněte elektrické jističe jednotky rozvaděče.
 - 1 Elektrické jističe jednotky rozvaděče vypněte přesunutím jističů A, B a C do pozice „OFF“ (vypnuto).

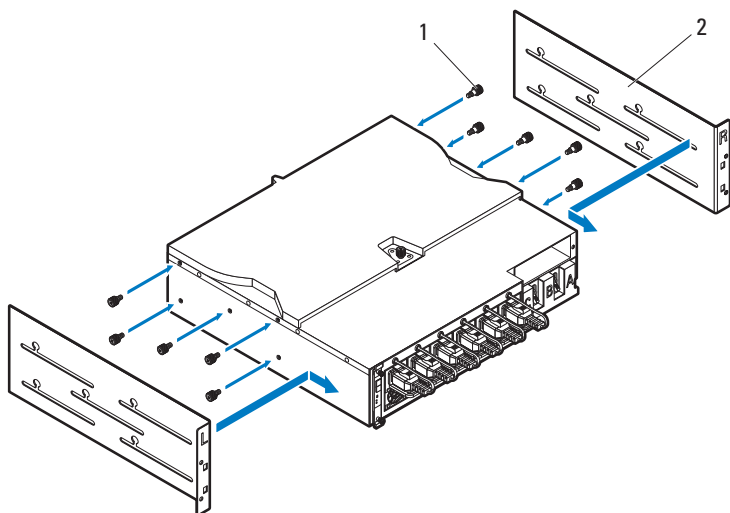


- 2 Odpojte jednotku rozvaděče od zdroje napájení.

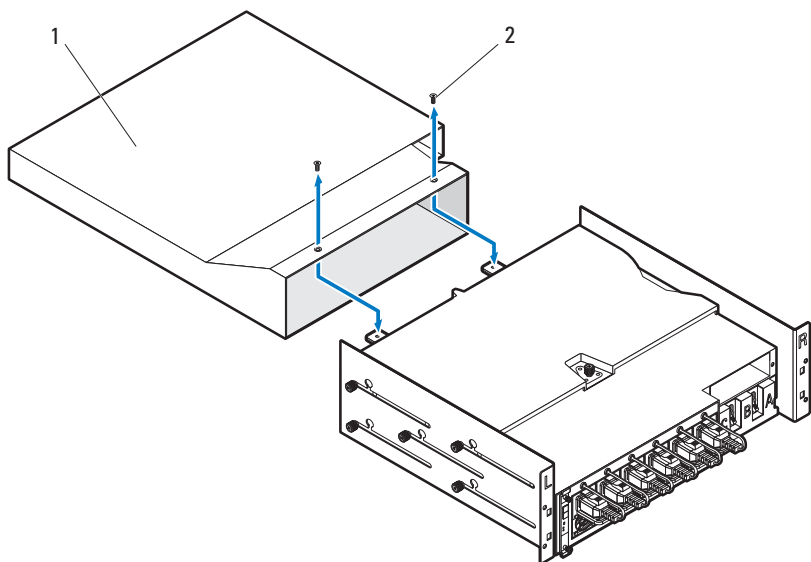
- 3** Vyměňte modul rozhraní napájecího kabelu (PCIB – power cable interface box).
- a** Vyměňte dva šroubky ❶ upevňující modul PCIB.
 - b** Uchopte držadlo modulu PCIB a vytáhněte modul z přihrádky ❷.



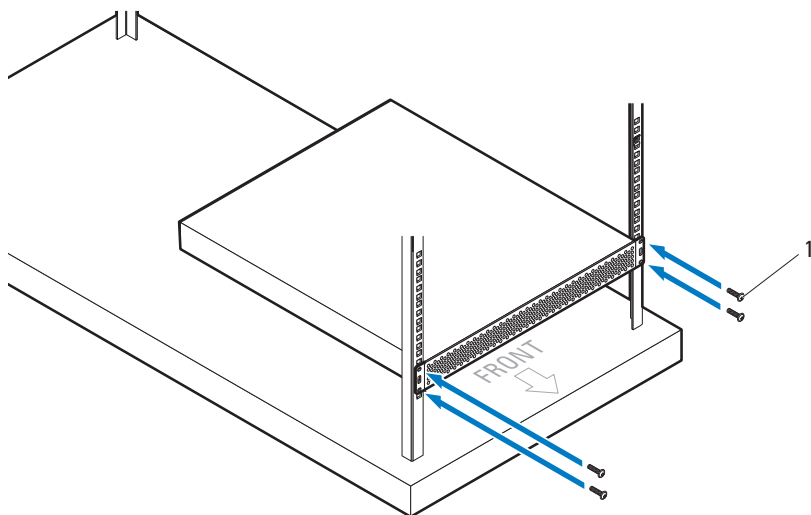
- 4** Připevněte držáky ke stranám jednotky rozvaděče.
- a** Zašroubujte deset šroubků ❶ k levé a pravé straně jednotky rozvaděče.
 - b** Umístěte levý držák označený písmenem „L“ tak, aby byly otvory pro šroubky vyrovnané se šroubky na jednotce rozvaděče, a zasuňte držák směrem do zadní části jednotky rozvaděče, dokud se neusadí na místo ❷.
 - c** Umístěte pravý držák označený písmenem „R“ tak, aby byly otvory pro šroubky vyrovnané se šroubky na jednotce rozvaděče, a zasuňte držák směrem do zadní části jednotky rozvaděče, dokud se neusadí na místo ❸.



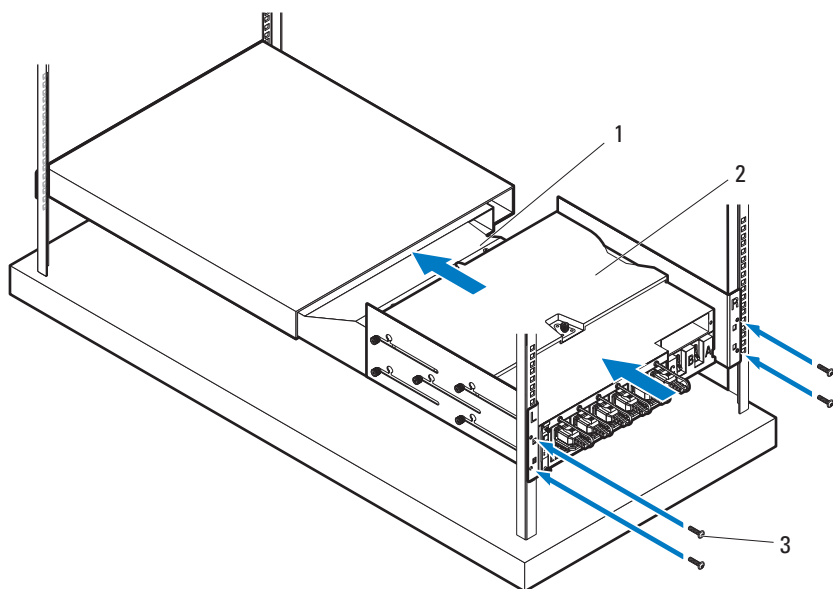
- 5** Namontujte do jednotky rozvaděče vzduchovou trubici.
- a** Vyměňte ze vzduchové trubice vzduchovod.
 - b** Zarovnejte vzduchovod **1** s přední částí jednotky rozvaděče.
 - c** Upevněte vzduchovod k přední části jednotky rozvaděče prostřednictvím dvou šroubků **2**.



- d Zarovnejte vzduchovou trubici s podpěrami stojanu.
- e Upevněte vzduchovou trubici k podpěrám stojanu prostřednictvím čtyř šroubků ❶.



- 6 S pomocí další osoby zasuněte vzduchovod 1 do vzduchové trubice a upevněte zadní část jednotky rozvaděče 2 k podpěrám stojanu prostřednictvím čtyř šroubků 3.

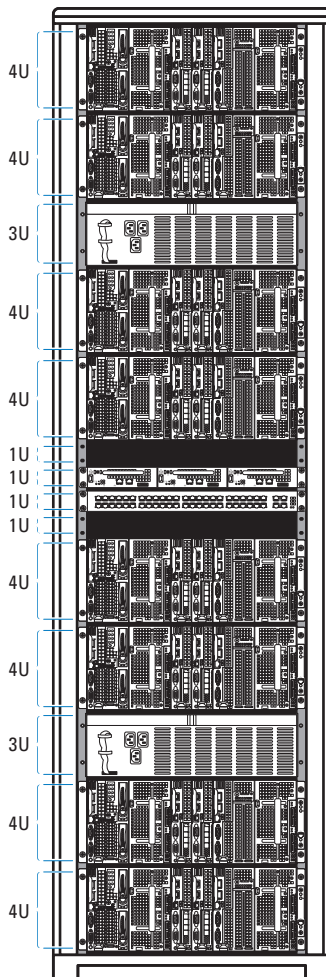


Konfigurace stojanu

Na následujícím obrázku naleznete příklad konfigurace stojanu se serverovými skříněmi PowerEdge C8000, jednotkami rozvaděče (PDU), přepínačem a směrovačem ve stojanu 42U.



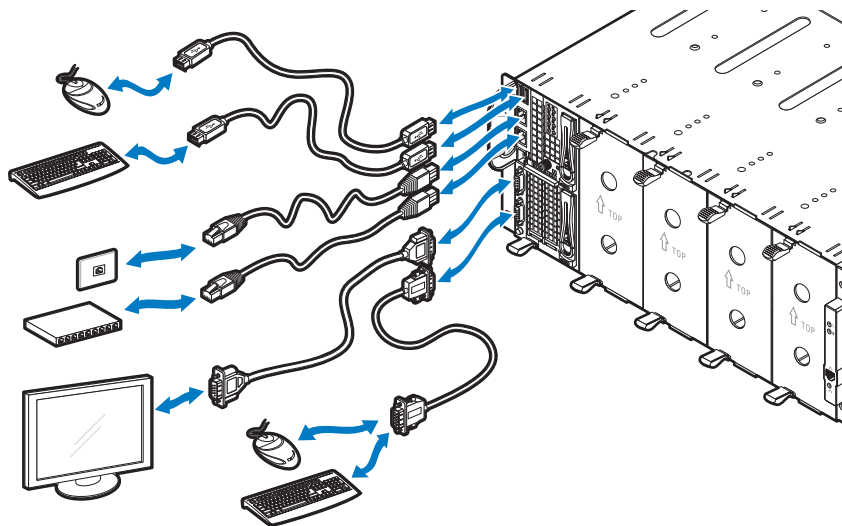
POZNÁMKA: Obrázek konfigurace stojanu je pouze ilustrační.



Připojení klávesnice, myši a monitoru

Připojte klávesnici, myš a monitor k výpočetnímu zásuvnému modulu (volitelné).

Na následujícím obrázku je znázorněn příklad připojení klávesnice, myši a monitoru k výpočetnímu zásuvnému modulu dvojitě šířky C8220X.

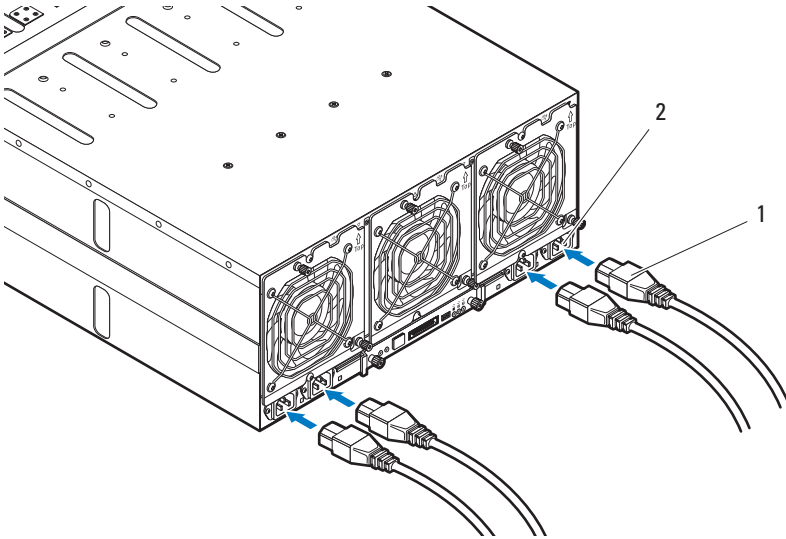


Připojení napájecích kabelů

V této části naleznete pokyny ohledně připojení serverové skříně k vnitřnímu nebo vnějšímu zdroji napájení nebo k vnější jednotce rozvaděče.

Serverová skříň s vnitřním zdrojem napájení

- 1 V zadní části skříně připojte napájecí kabely ❶ k zásuvkám pro střídavý proud ❷.

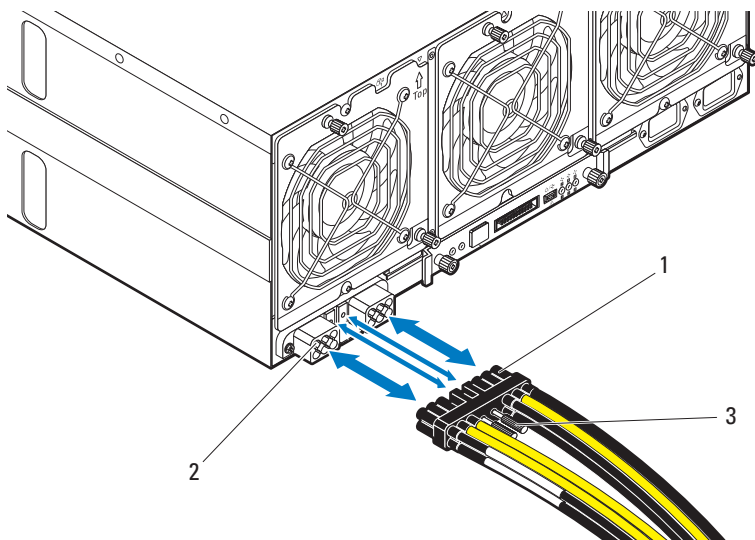


- 2 Poté zasuňte druhý konec napájecích kabelů do uzemněné elektrické zásuvky nebo k samostatnému zdroji napájení, například ke zdroji nepřerušitelného napájení (UPS) nebo jednotce rozvaděče.

Serverová skříň s vnějším zdrojem napájení

VAROVÁNÍ: Před provedením připojení se ujistěte, že je napájení na všech zařízeních vypnuto.

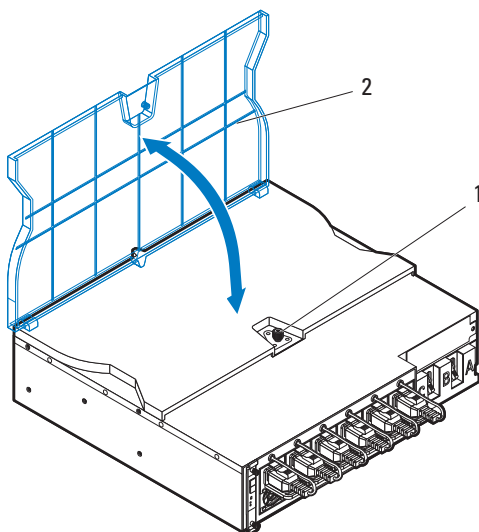
- 1 V zadní části skříně připojte napájecí kabel **1** k zásuvce pro stejnosměrný proud **2**.
- 2 Připojení zajistíte utahnutím dvou středových šroubů **3** na kabelu.



Připojení serverové skříně k jednotce rozvaděče stojanu

VAROVÁNÍ: Pokud je jednotka rozvaděče pod proudem, nepřipojujte k ní ani od ní neodpojujte napájecí kabely. Chcete-li předejít možnému závažnému či smrtelnému úrazu elektrickým proudem, vypněte elektrické jističe jednotky rozvaděče. Elektrické jističe jednotky rozvaděče A, B a C přesuňte do polohy „OFF“ (vypnuto).

- 1 Odemkněte kryt kabelu ❶.
- 2 Otočte kryt ❷ dozadu a směrem od jednotky rozvaděče.



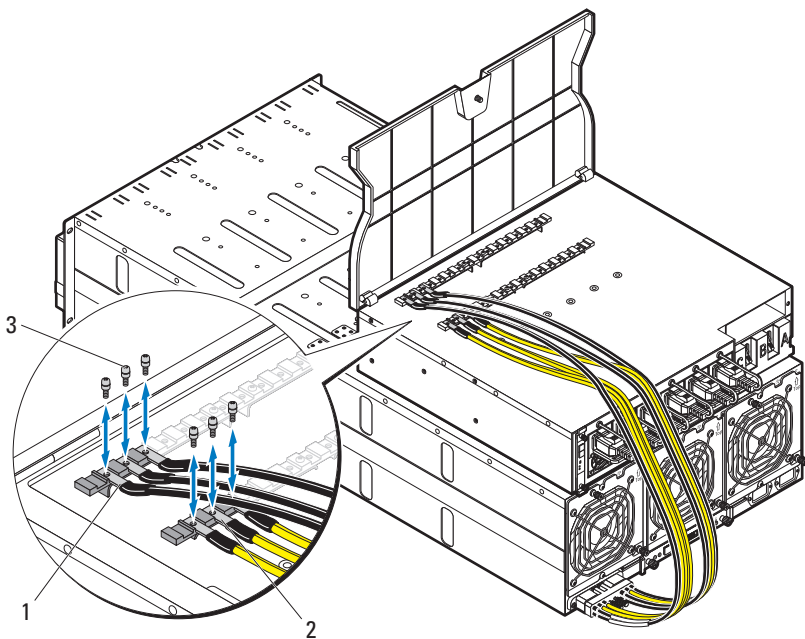
- 3 Připojte napájecí kabely serverových skříní k přípojnicí jednotky rozvaděče.



POZNÁMKA: Jednotka rozvaděče podporuje maximálně pět PowerEdge C8000 serverových skříní v závislosti na konfiguraci systému a požadovaném výkonu.

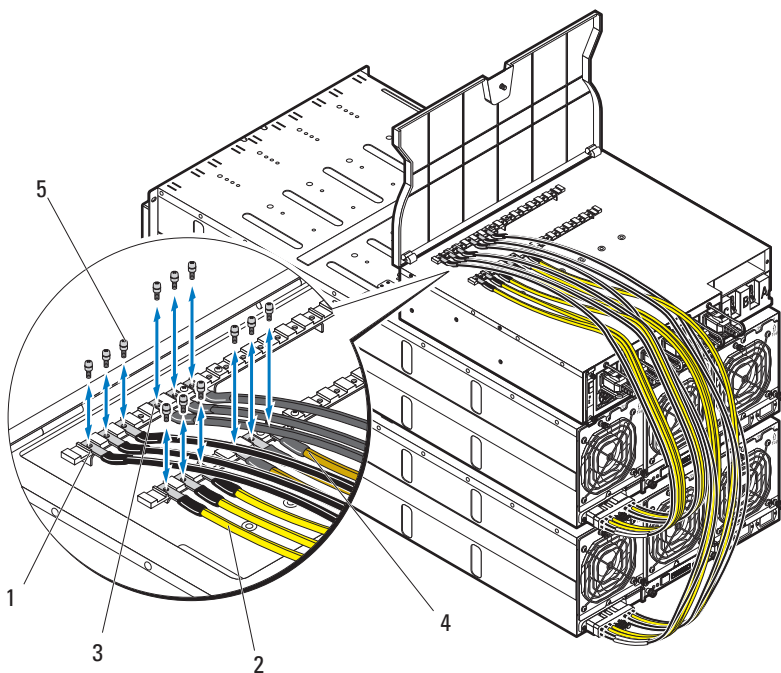
Chcete-li k jednotce rozvaděče připojit jednu serverovou skříň:


- a Tři koncovky černých napájecích kabelů ❶ upevněte k horní přípojnicí (GND) prostřednictvím tří šroubů ❸.
- b Tři koncovky žlutých napájecích kabelů ❷ upevněte ke spodní přípojnicí prostřednictvím tří šroubů ❸.



Chcete-li k jednotce rozvaděče připojit vyšší počet serverových skříní:

- a** Tři koncečky černých napájecích kabelů **1** první serverové skříně upevněte k horní přípojnici (GND) prostřednictvím tří šroubů **5**.
- b** Tři koncečky žlutých napájecích kabelů **2** první serverové skříně upevněte ke spodní přípojnici prostřednictvím tří šroubů **5**.
- c** Tři koncečky černých napájecích kabelů **3** druhé serverové skříně upevněte k horní přípojnici (GND) prostřednictvím tří šroubů **5**.
- d** Tři koncečky žlutých napájecích kabelů **4** druhé serverové skříně upevněte ke spodní přípojnici prostřednictvím tří šroubů **5**.

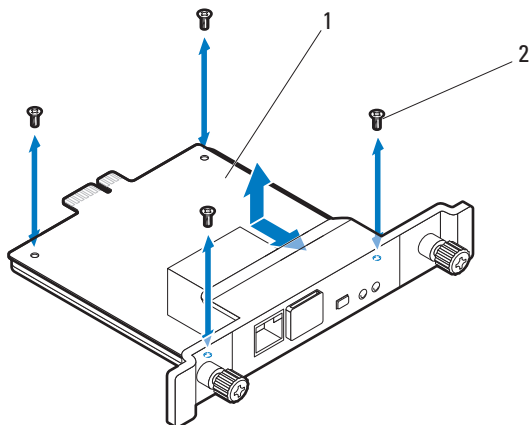


 **POZNÁMKA:** Ujistěte se, že jsou všechny napájecí kabely správně a bezpečně připojeny k přípojnicím jednotky rozvaděče.

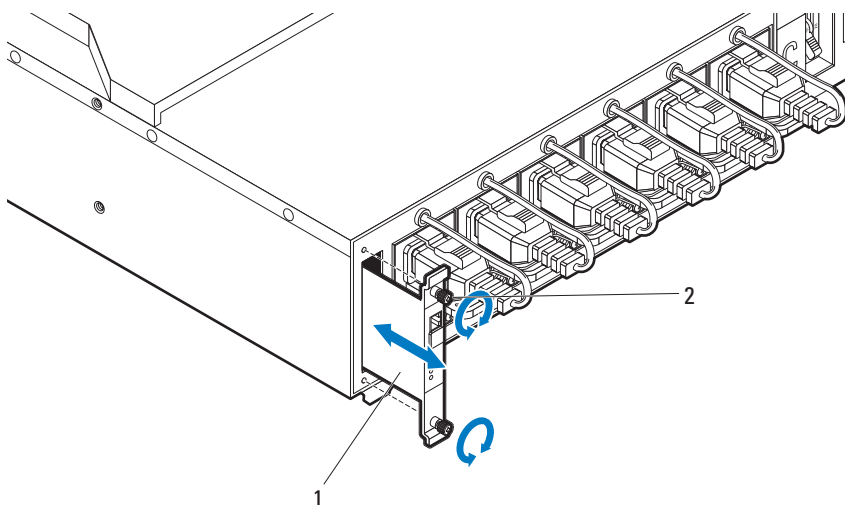
- 4 Zavřete kryt kabelů a upevněte jej k jednotce rozvaděče.

Připojení jednotky rozvaděče k síti

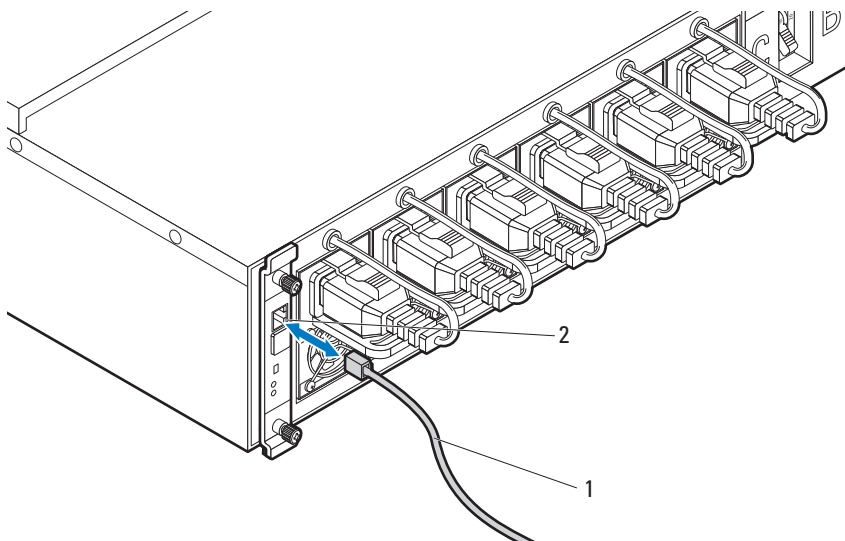
- 1 Namontujte do jednotky rozvaděče řadič řízení spotřeby (power management controller – PMC) a proved'te připojení k síti.
 - a Upevněte desku PMC **1** k podložce PMC prostřednictvím čtyř šroubků **2**.



- b Vložte takto smontovanou jednotku PMC **1** do jednotky rozvaděče a upevněte ji dvěma křídlatými šrouby **2**.



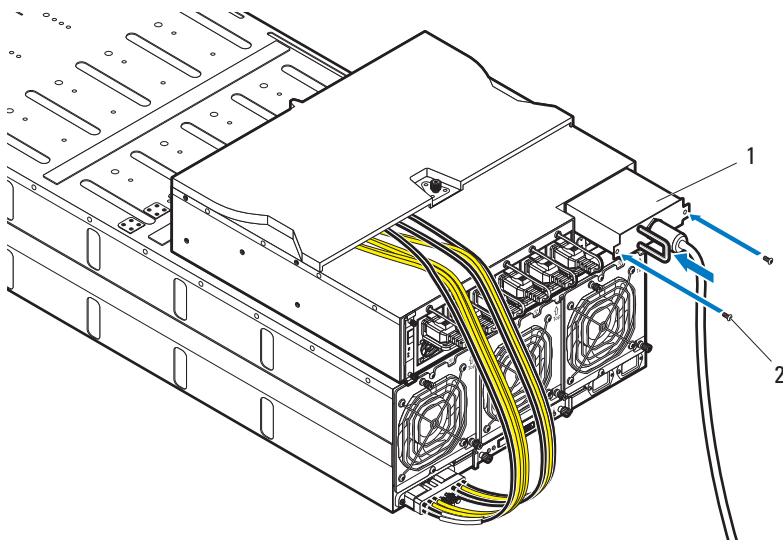
- c Připojte síťový kabel ❶ k portu NIC 1 ❷.



Zapnutí systémů

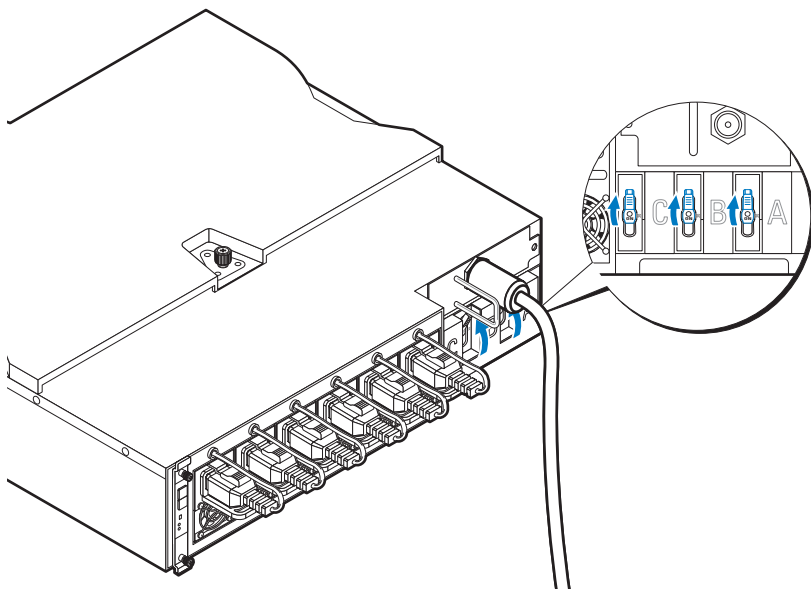
Zapnutí jednotky rozvaděče

- 1** Namontujte do jednotky rozvaděče modul PCIB.
 - a** Vložte modul PCIB do pozice pro modul PCIB ❶.
 - b** Upevněte modul PCIB k jednotce rozvaděče prostřednictvím dvou šroubků ❷.




- 2** Připojte jednotku rozvaděče ke zdroji napájení.

- 3 Elektrické jističe jednotky rozvaděče zapnete přesunutím jističů A, B a C do pozice „ON“ (zapnuto).



- 4 Chcete-li povolit monitorování jednotky rozvaděče přes síť, zapněte desku PMC stisknutím vypínače umístěného na desce PMC. Jakmile začne být jednotce rozvaděče dodávána energie, indikátor napájení/stavu v přední části desky PMC se rozsvítí zeleně.

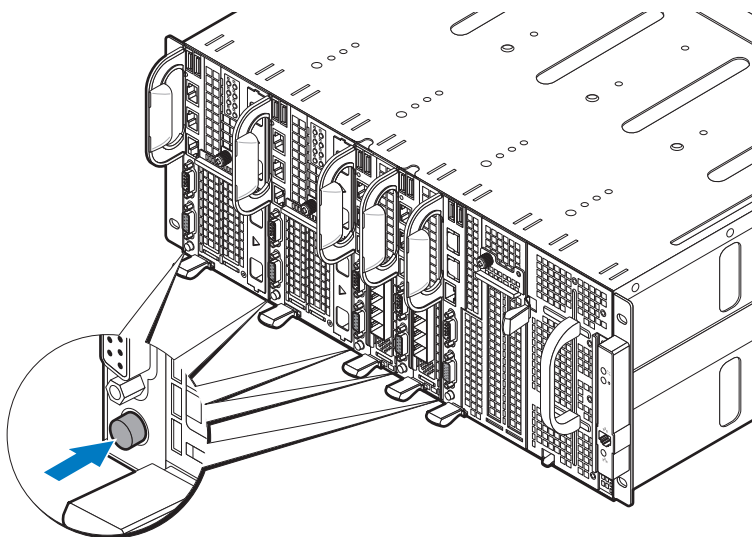
 **POZNÁMKA:** Obrázky desky PMC a jednotky rozvaděče uvedené v této příručce jsou pouze ilustrační. Více informací o desce PMC a jednotce rozvaděče zjistíte v dokumentaci k jednotce rozvaděče.

Zapnutí serverové skříně

Při připojení ke zdroji napájení je elektrický proud automaticky distribuován do serverové skříně. Po připojení napájení se indikátor napájení/události na přední straně skříně rozsvítí zeleně a proud bude distribuován všem zásuvným modulům ve skříně.

Zapnutí zásuvných modulů

Chcete-li zapnout výpočetní zásuvné moduly C8220 nebo C8220X, stiskněte tlačítko napájení na jednotlivých zásuvných modulech nebo zásuvné moduly zapněte pomocí řadiče BMC (Baseboard Management Controller). Po zapnutí zásuvných modulů se na jejich přední straně rozsvítí zelený indikátor napájení. Úložné zásuvné moduly C8000XD se po instalaci do serverové skříně zapnou automaticky. Viz příručka Using the Baseboard Management Controller Guide (Průvodce použitím řadiče BMC) na adrese dell.com/support/manuals.



Dokončení nastavení operačního systému

Chcete-li provést první instalaci operačního systému, postupujte podle dokumentace k instalaci a konfiguraci operačního systému. Než začnete s instalací hardwaru či softwaru, který nebyl zakoupen společně se systémem, ujistěte se, že je nainstalován operační systém.

Podporované operační systémy

- Citrix XenServer Enterprise Edition 5.6
- Citrix XenServer Enterprise Edition 6.1
- Microsoft Windows Server 2008 Enterprise Edition Release 2 (64bitový)
- Microsoft Windows Server 2012
- Microsoft Windows HPC 2008 R2
- Microsoft HyperV
- Red Hat Enterprise Linux 6.1 (64bitový)
- Red Hat Enterprise Linux 6.3 (64bitový)
- SUSE Linux Enterprise Server 11 SP2 (64bitový)
- Ubuntu 12.04.1 LTS 64bitový
- VMware ESXi 5.0
- VMware ESXi 5.0 U1
- VMware ESXi 5.0 U2
- VMware ESX 5.1
- VMware ESXi 5.1 U1



POZNÁMKA: Nejnovější informace o podporovaných operačních systémech naleznete na webu dell.com/ossupport.

Další užitečné informace



VAROVÁNÍ: Prostudujte si informace o bezpečnosti a předpisech, které byly dodány se systémem. Informace o záruce jsou součástí tohoto dokumentu nebo jsou přiloženy samostatně.

- Informace o funkcích serverové skříně, řešení problémů a výměnách komponent najdete v Příručce majitele hardwaru k systému PowerEdge C8000. Tento dokument je k dispozici na adrese dell.com/support/manuals.
- Informace o funkcích systému, řešení problémů a výměnách komponent najdete v Příručce majitele hardwaru k zásuvným modulům PowerEdge C8220. Tento dokument je k dispozici na adrese dell.com/support/manuals.
- Informace o funkcích systému, řešení problémů a výměnách komponent najdete v Příručce majitele hardwaru k zásuvným modulům PowerEdge C8220X. Tento dokument je k dispozici na adrese dell.com/support/manuals.
- Informace o funkcích systému, řešení problémů a výměnách komponent najdete v Příručce majitele hardwaru k zásuvným modulům PowerEdge C8000XD. Tento dokument je k dispozici na adrese dell.com/support/manuals.
- Informace o instalaci a použití nástroje pro správu systémů najdete v Průvodci použitím řadiče BMC (Baseboard Management Controller). Tento dokument je k dispozici na adrese dell.com/support/manuals.



POZNÁMKA: Vždy nejprve zkontrolujte a přečtěte aktualizace uvedené na adrese support.dell.com, protože tyto aktualizace často nahrazují informace v ostatních dokumentech.

Informace NOM

PowerEdge C8000

K zařízením popsaným v tomto dokumentu se vztahují v souladu s požadavky oficiálních mexických norem NOM následující informace:

Dovozce:	Dell Inc. de México, S.A. de C.V. Paseo de la Reforma 2620–11° Piso Col. Lomas Altas 11950 México, D.F.
Číslo modelu:	B10S
Napájecí napětí:	200–240 V stř. (se čtyřmi zdroji napájení 1400 W) nebo 12 V stejnosm. (s externí jednotkou rozvaděče)
Frekvence:	50–60 Hz
Spotřeba proudu:	9 A (x4) (se čtyřmi zdroji napájení 1400 W) nebo 480 A (s externí jednotkou rozvaděče)

PowerEdge C8220

K zařízením popsaným v tomto dokumentu se vztahují v souladu s požadavky oficiálních mexických norem NOM následující informace:

Dovozce:	Dell Inc. de México, S.A. de C.V. Paseo de la Reforma 2620–11° Piso Col. Lomas Altas 11950 México, D.F.
Číslo modelu:	B05B
Napájecí napětí:	12 V stejnosm.
Spotřeba proudu:	42 A

PowerEdge C8220X

K zařízení popsanému v tomto dokumentu se vztahují v souladu s požadavky oficiálních mexických norem NOM následující informace:

Dovozce:	Dell Inc. de México, S.A. de C.V. Paseo de la Reforma 2620–11° Piso Col. Lomas Altas 11950 México, D.F.
Číslo modelu:	B06B
Napájecí napětí:	12 V stejnosm.
Spotřeba proudu:	92 A

PowerEdge C8000XD

K zařízení popsanému v tomto dokumentu se vztahují v souladu s požadavky oficiálních mexických norem NOM následující informace:

Dovozce:	Dell Inc. de México, S.A. de C.V. Paseo de la Reforma 2620–11° Piso Col. Lomas Altas 11950 México, D.F.
Číslo modelu:	B06B
Napájecí napětí:	12 V stejnosm.
Spotřeba proudu:	30 A

Technické specifikace

Specifikace výpočetních zásuvných modulů (pro jednotlivé zásuvné moduly)

Procesor

Typ procesoru	Dva procesory řady Intel Xeon E5
Patice procesoru	Dvě LGA 2011

Čipová sada systému

Rozbočovač řadiče platformy (PCH)	Intel X79
Sít'ový adaptér	Intel i350-BT2
Řadič videa	Aspeed AST2300

Paměť

Typ paměti	DDR3 UDIMM, RDIMM, LRDIMM
Sloty pro paměť'ové moduly	16 soketů DIMM
Kapacity paměť'ových modulů	Moduly RDIMM o kapacitě 2, 4, 8, 16 nebo 32 GB
Minimum paměti RAM	512 MB (UDIMM) / 1 GB (RDIMM)
Maximum paměti RAM	128 GB (UDIMM) / 256 GB (RDIMM)
Počet paměť'ových kanálů (na každý procesor)	4 kanály

Úložné zařízení

Výpočetní zásuvné moduly běžné šířky PowerEdge C8220	<ul style="list-style-type: none">• 4 porty SATA 3 Gb/s• 2 porty SATA 6 Gb/s• 2 dvaapůlpalcové pevné disky SATA
--	---

**Specifikace výpočetních zásuvných modulů
(pro jednotlivé zásuvné moduly) (pokračování)**

Výpočetní zásuvné moduly dvojité šířky PowerEdge C8220X	<ul style="list-style-type: none">• 4 porty SATA 3 Gb/s• 2 porty SATA 6 Gb/s• 2 dvaapůlpalcové pevné disky SATA• 8 dvaapůlpalcových pevných disků SAS/SATA nebo 4 třiapůlpalcové pevné disky SAS/SATA• 2 dvaapůlpalcové pevné disky SAS/SATA vyměnitelné za chodu (PowerEdge C8220X s dvaapůlpalcovými pevnými disky s přístupem zepředu, které jsou vyměnitelné za chodu)
---	--

Grafická karta

Výpočetní zásuvné moduly dvojité šířky PowerEdge C8220X	PowerEdge C8220X s procesorem GPGPU/MIC <ul style="list-style-type: none">• NVIDIA Tesla M2090• NVIDIA Tesla K20• Intel Xeon Phi 5110P
---	--

Rozšiřovací sloty

Výpočetní zásuvné moduly běžné šířky PowerEdge C8220	<ul style="list-style-type: none">• Jeden slot pro x16 PCI Express 2.0• Jeden slot pro mezzaninovou kartu x8
Výpočetní zásuvné moduly dvojité šířky PowerEdge C8220X	<ul style="list-style-type: none">• Dva sloty pro x8 PCI Express 3.0 (konektor typu x16)• Jeden slot pro mezzaninovou kartu x8
Výpočetní zásuvné moduly dvojité šířky PowerEdge C8220X s procesorem GPGPU/MIC	<ul style="list-style-type: none">• Jeden slot pro x16 PCI Express 3.0 prostřednictvím jediné rozšiřující karty• Jeden slot pro x16 PCI Express 3.0 prostřednictvím kabelu• Jeden slot pro mezzaninovou kartu x8

Rozhraní

Řídící port BMC	1 vpředu
Sít'ové	Dva 1Gb porty NIC
Sériový port	1 vpředu
VGA	1 vpředu

**Specifikace výpočetních zásuvných modulů
(pro jednotlivé zásuvné moduly) (pokračování)**

USB	2 vepředu
LED dioda UID	1 vepředu

Napájení

Baterie

Systemová baterie	Lithium-iontová knoflíková baterie CR 2032: 3,0 V
Baterie RAID (volitelná)	Lithium-iontová baterie 3,7 V

Specifikace úložných zásuvných modulů (pro jednotlivé zásuvné moduly)

Konfigurace zásuvných modulů s
pevnými disky

Režim se dvěma porty (redundantní)	Standardní deska
Režim s jedním portem (neredundantní)	• Standardní deska • Flexibilní deska • Rozšiřovací deska
Režim s rozšířením (bez zón/ dvě zóny/čtyři zóny)	Rozšiřovací deska

Úložné zařízení

Standardní deska	12 třiapůlpalcových pevných disků SAS/SATA/SSD
Flexibilní deska	12 dvaapůlpalcových pevných disků SAS/SATA/SSD
Rozšiřovací deska	24 dvaapůlpalcových pevných disků SSD

Rozhraní

Mini-SAS	4 na přední straně
----------	--------------------

Specifikace napájecích zásuvných modulů (pro jednotlivé zásuvné moduly)

Rozhraní

Kontrolka LED napájení	2 vepředu
Konektor napájení	2 konektory stejnosměrného proudu (12 V a uzemnění)

Napájecí modul (na jeden napájecí zdroj)

Výkon	1400 W
Konektor	IEC C20
Napětí	200–240 V stř.; 50–60 Hz; maximálně 9 A
Odvod tepla	1205 BTU/hod. (maximum)
Maximální nárazový proud	V typických podmínkách napájení a v celém provozním rozsahu systému může nárazový proud dosáhnout 25 A na jeden napájecí zdroj po dobu 10 ms nebo méně.

Specifikace serverové skříně

Rozměry

Výška	17,5 cm (6,9 palce)
Šířka	44,7 cm (17,6 palce)
Hloubka	81,3 cm (32,0 palce)
Hmotnost (prázdné)	17,93 kg (39,53 lb)

Podpora zásuvných modulů

Serverová skříně s vnitřním zdrojem napájení	<ul style="list-style-type: none">• Až osmery výpočetní zásuvné moduly běžné šířky C8220• Až čtyři výpočetní zásuvné moduly dvojitě šířky C8220X• Až čtyři úložné zásuvné moduly C8000XD• Až dvoje napájecí zásuvné moduly
--	---

Specifikace serverové skříně (pokračování)

Serverová skříně s vnější jednotkou rozvaděče	<ul style="list-style-type: none">• Až desaterý výpočetní zásuvné moduly běžné šířky C8220• Až patery výpočetní zásuvné moduly dvojité šířky C8220X• Až patery úložné zásuvné moduly C8000XD
---	--

Rozhraní

Sít'ové	Dva porty NIC 10/100 Mb/s (1 vepředu, 1 vzadu)
Sériový port	1 vzadu
LED indikátor napájení/událostí	2 (1 vepředu, 1 vzadu)
LED dioda UID	2 (1 vepředu, 1 vzadu)
LED indikátor aktivity sítě Ethernet	1 vepředu
Teplotní snímač	1 vepředu
LED indikátory selhání modulů systémových ventilátorů	3 vzadu

Systémové ventilátory

Typ ventilátoru	3 ventilátorové moduly (2 ventilátory na každý modul / 6 celkem)
-----------------	--

Napájení

Stejnoseměrné napájení

Napětí

s externí jednotkou rozvaděče 12 V stejnosměrné, 50–60 Hz, max. 680 A s nasazenými šesti zdroji napájení (PSU)

Prostředí

POZNÁMKA: Další informace o měřených údajích prostředí najdete pro jednotlivé systémové konfigurace na adrese dell.com/environmental_datasheets.

Teplota

Provozní 10 až 35 °C (50 až 95 °F) s maximálním nárůstem teploty o 10 °C za hodinu

Prostředí (pokračování)

Skladovací	-40 až 65 °C (-40 až 149 °F) s maximálním nárůstem teploty o 20 °C za hodinu
Relativní vlhkost	
Provozní	20 až 80 % (bez kondenzace) s maximálním nárůstem vlhkosti o 10 % za hodinu
Skladovací	5 až 95 % (bez kondenzace)
Maximální vibrace	
Provozní	0,26 g při 5–350 Hz
Skladovací	1,87 g při 10–500 Hz po dobu 15 minut
Maximální ráz	
Provozní	Jeden rázový impuls v kladné ose z (jeden impuls na každé straně systému) o síle 31 G v délce do 2,6 ms v provozní orientaci
Skladovací	Šest po sobě jdoucích rázových impulsů v kladné i záporné ose x, y a z (jeden impuls na každé straně systému) o síle 71 G v délce do 2 ms Šest po sobě jdoucích rázových impulsů v kladné i záporné ose x, y a z (jeden impuls na každé straně systému) o síle 27 G pro impuls s průběhem sladěné obdélníkové vlny se změnou rychlosti 5,97 m/s (235 palců/s)
Nadmořská výška	
Provozní	-16 až 3 048 m (-50 až 10 000 stop) POZNÁMKA: V nadmořských výškách nad 2 950 stop je maximální provozní teplota snížena o 1 °F na každých 550 stop.
Skladovací	-16 až 10 600 m (-50 až 35 000 stop)
Úroveň znečištění vzduchu	
Třída	G1 dle normy ISA-S71.04-1985

Dell PowerEdge
C8000, C8220, C8220X,
et C8000XD

Mise en route de votre système

**Modèle réglementaire : B10S, B05B
et B06B**

**Type réglementaire : B10S001, B05B001,
B06B001 et B06B002**



Remarques, précautions et avertissements



REMARQUE : Une REMARQUE indique des informations importantes qui peuvent vous aider à mieux utiliser votre ordinateur.



PRÉCAUTION : Une PRÉCAUTION indique un risque de dommage matériel ou de perte de données en cas de non-respect des instructions.



AVERTISSEMENT : Un AVERTISSEMENT vous avertit d'un risque d'endommagement du matériel, de blessure corporelle ou même de mort.

Les informations que contient cette publication sont sujettes à modification sans préavis.
© 2013 Dell Inc. Tous droits réservés.

La reproduction de ce document de quelque manière que ce soit sans l'autorisation écrite de Dell Inc. est strictement interdite.

Marques utilisées dans ce document : Dell™, le logo DELL, Dell Precision™, OptiPlex™, Latitude™, PowerEdge™, PowerVault™, PowerConnect™, OpenManage™, EqualLogic™, KACE™, FlexAddress™ et Vostro™ sont des marques de Dell Inc. Intel® , Pentium® , Xeon® , Core™, Celeron® et Xeon Phi™ sont des marques déposées d'Intel Corporation aux États-Unis et dans d'autres pays. Microsoft®, Windows®, Windows Server®, MS-DOS® et Windows Vista® sont des marques ou des marques déposées de Microsoft Corporation aux États-Unis et/ou dans d'autres pays. Red Hat® et Red Hat® Enterprise Linux® sont des marques déposées de Red Hat, Inc. aux États-Unis et/ou dans d'autres pays. Novell® est une marque déposée et SUSE™ est une marque de Novell Inc. aux États-Unis et/ou dans d'autres pays. Oracle® est une marque déposée d'Oracle Corporation et/ou de ses filiales. Citrix®, Xen®, XenServer® et XenMotion® sont des marques ou des marques déposées de Citrix Systems, Inc. aux États-Unis et/ou dans d'autres pays. VMware®, Virtual SMP®, vMotion®, vCenter® et vSphere® sont des marques déposées ou des marques de VMware, Inc. aux États-Unis et/ou dans d'autres pays. NVIDIA et Tesla™ sont des marques et/ou des marques déposées de NVIDIA Corporation. Ubuntu est une marque déposée de Canonical Ltd.

D'autres marques et noms commerciaux peuvent être utilisés dans cette publication pour faire référence aux entités revendiquant la propriété de ces marques ou noms ou à leurs produits. Dell Inc. rejette tout intérêt exclusif dans les marques et les noms commerciaux autres que les siens.

Modèle réglementaire : B10S, B05B et B06B

Type réglementaire : B10S001, B05B001, B06B001 et B06B002

2013 - 07 P/N NJK8N Rév. A04

PRÉCAUTION : Lieux à accès restreint

Ce serveur est conçu pour être installé uniquement dans des lieux à accès restreint où les deux conditions suivantes s'appliquent :

- Seuls peuvent avoir accès le personnel d'entretien et les utilisateurs qui ont été informés des motifs des restrictions appliquées au lieu et des précautions à prendre.
- L'accès, qui se fait par l'intermédiaire d'un outil ou d'un verrou et d'une clé, ou par d'autres moyens de sécurité, est contrôlé par le responsable en charge du lieu.

Installation et configuration

AVERTISSEMENT : Avant de commencer la procédure suivante, lisez les consignes de sécurité fournies avec le système et veillez à les respecter.


Le châssis du serveur PowerEdge C8000 est un châssis 4U monté en rack, flexible et évolutif. Le serveur PowerEdge C8000 comporte dix baies de plateaux alignées verticalement prenant en charge un châssis de chariot complet ou mixte. Un boîtier de chariot complet peut contenir jusqu'à cinq plateaux de calcul C8220X double largeur, dix plateaux de calcul C8220 simple largeur ou cinq plateaux de stockage C8000XD. Un boîtier de chariots mixte peut contenir une combinaison de différents types de chariots.

Outils recommandés

Avant de commencer les tâches d'installation, vérifiez que vous possédez les éléments suivants :

- Tournevis cruciforme n°1
- Tournevis cruciforme n° 2
- Bracelet de mise à la terre connecté au sol
- Tapis antistatique ou carton mousse antistatique

Déballage du système


 **AVERTISSEMENT : Demandez toujours de l'aide avant de soulever le système. N'essayez pas de le soulever seul, car vous risqueriez de vous blesser.**


 **PRÉCAUTION : Portez le bracelet de mise à terre lors de la manipulation de composants du système.**


- 1 Préparez un tapis antistatique ou une mousse antistatique pour activer le boîtier du serveur PowerEdge C8000.
- 2 Déballez et placez votre boîtier sur un tapis antistatique ou une mousse antistatique.
- 3 Conservez les cartons d'emballage pour un usage ultérieur.


Installation sans outil des rails

 **AVERTISSEMENT :** Demandez toujours de l'aide avant de soulever le système. N'essayez pas de le soulever seul, car vous risqueriez de vous blesser.


 **AVERTISSEMENT :** Le système n'est fixé ni au rack ni aux rails. Vous devez le soutenir correctement au cours de l'installation et du retrait pour éviter de l'endommager ou de vous blesser.


 **AVERTISSEMENT :** Afin d'éviter un éventuel choc électrique, assurez-vous de disposer d'un troisième conducteur de mise à la terre pour l'installation du rack. L'équipement du rack doit assurer un flux d'air suffisant pour bien refroidir le système.

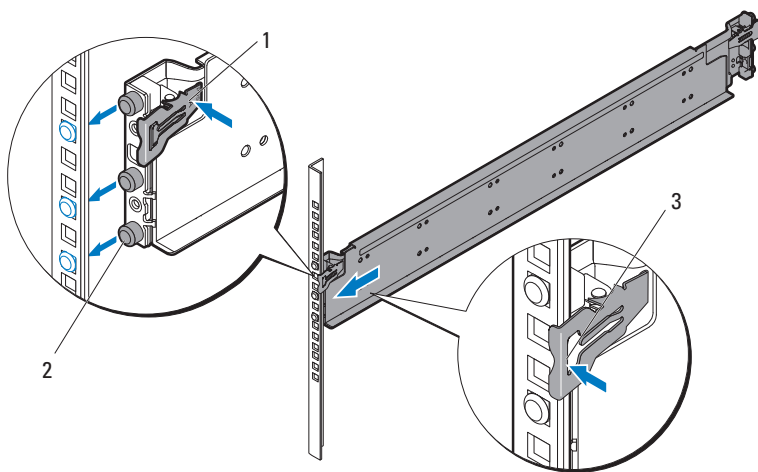
 **PRÉCAUTION :** Les chevilles de rail doivent être alignés avec les montants de rack pour une installation correcte.

 **REMARQUE :** Les rails pour rack sont marqués LEFT (Gauche) et RIGHT (Droite). Le rail marqué « LEFT » se fixe sur les montants de rack de gauche et celui marqué « RIGHT » se fixe sur les montants de rack de droite, lorsque vous faites face à l'avant du rack.

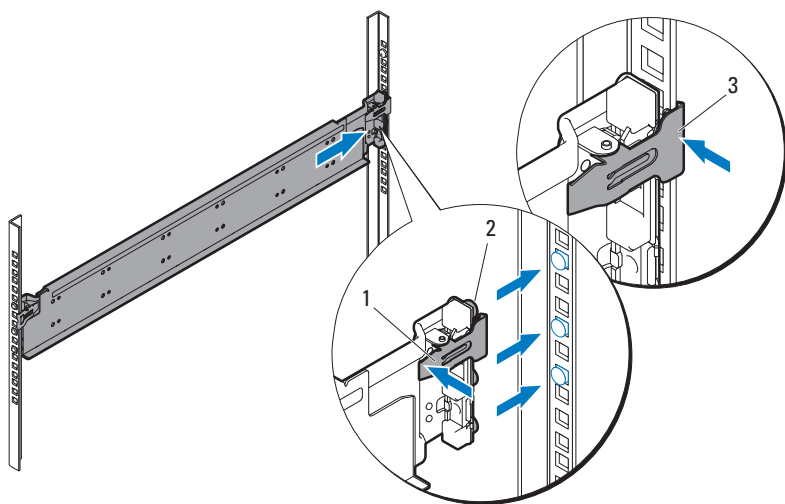
- 1 Déterminez où placer les rails dans le rack. Assurez-vous de ménager un espace suffisant dans le rack pour un châssis 4U. Dans un rack standard, la hauteur d'un châssis 4U s'étend sur 12 trous de montant.
- 2 Utiliser le marquage indiqué sur les côtés gauche et droit du rail pour orienter correctement les rails par rapport aux montants du rack.
- 3 Fixez le rail gauche et le support d'arrêt sur le rack.
 - a Positionnez le rail de gauche marqué « LEFT » pour l'aligner avec ses orifices de montage sur les montants du rack.
 - b Appuyez sur le bouton d'éjection du rail et maintenez-le enfoncé ❶ pour ouvrir le loquet à l'avant du rail.
 - c Alignez les trois chevilles ❷ avec les orifices de montage situés sur le montant de rack avant.
 - d Relâchez le bouton ❸ lorsqu'il s'engage au montant du rail avant.

 **REMARQUE :** Assurez-vous que le bouton d'éjection du rail est bien enfoncé.

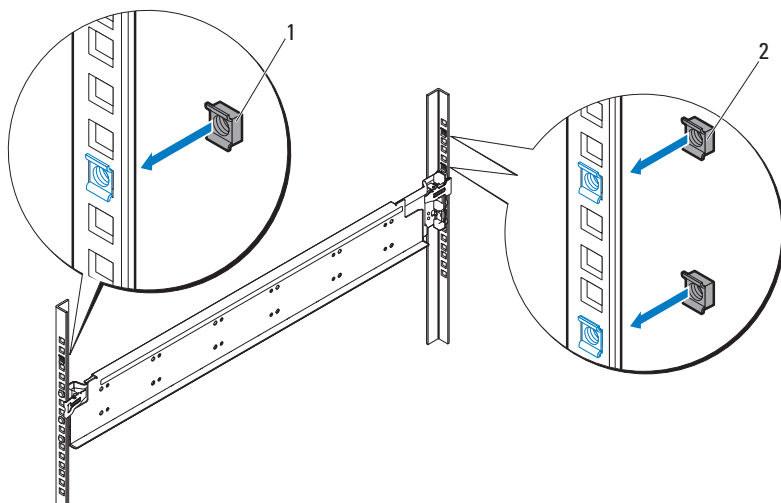
 **REMARQUE :** Les rails peuvent être utilisés à la fois dans des racks à trous carrés et à trous ronds.



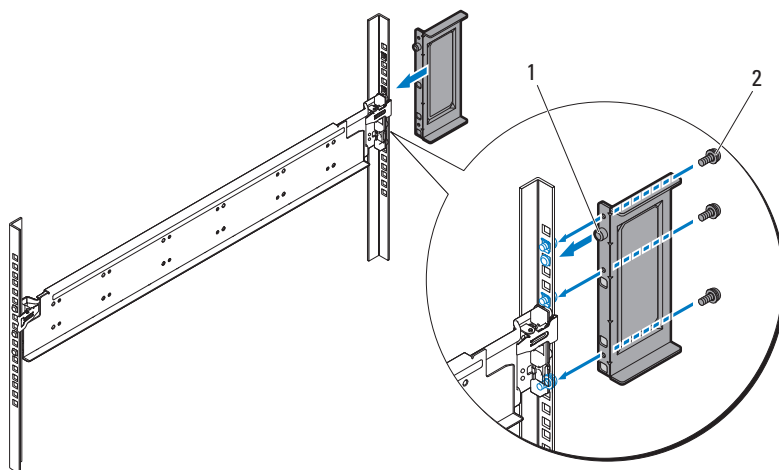
- e Appuyez sur le bouton d'activation du rail et maintenez-le enfoncé ❶ pour ouvrir le loquet à l'arrière du rail.
- f Alignez les trois chevilles ❷ avec les orifices de montage situés sur le montant de rack arrière.
- g Relâchez le bouton ❸ lorsqu'il s'engage au montant du rail arrière.




- h** Installez un écrou à cage ❶ au montant du rail avant et deux écrous à cage ❷ au montant de rail arrière.



- i** Alignez le support d'arrêt ❶ au montant arrière du châssis et fixez-le à l'aide de trois vis 10-32 ❷. Appliquez 35 lb-po de couple de serrage aux vis.



- 4 Fixez le rail de droite et le support d'arrêt sur le rack.
Utilisez la même procédure pour installer le rail de droite et le support d'arrêt sur les montants droits rack.

 **REMARQUE :** Pour retirer les rails, appuyez et maintenez le bouton d'éjection du rail situé au milieu de l'extrémité et dégagez les rails un par un.

Installation du système

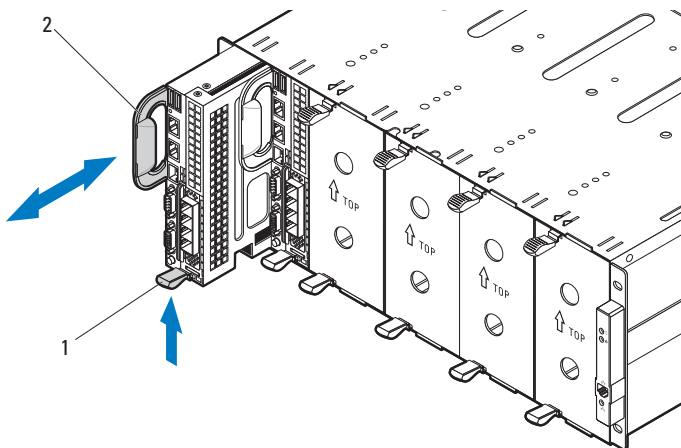
Cette section inclut les sous-sections suivantes :

- Vidage du système
- Installer le système dans le rack
- Numérotation des baies de chariot
- Remplissage du système
- Installer les unités de distribution de l'alimentation externe dans le rack
- Configuration du rack

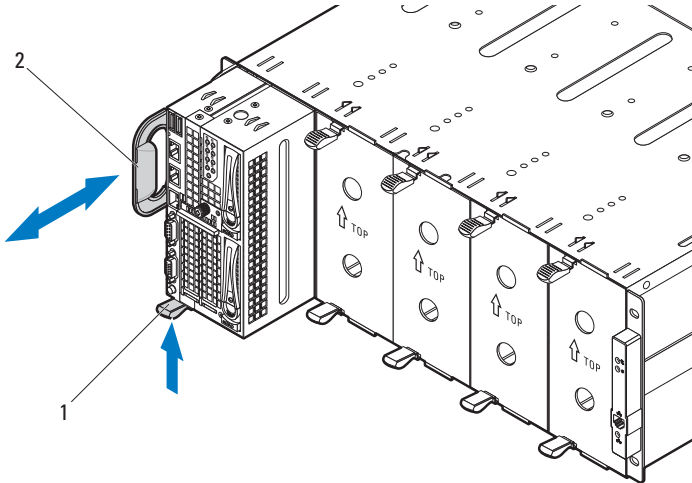
Vidage du système

Avant d'installer un boîtier de serveur PowerEdge C8000 dans un rack, retirez tous les modules de chariot du boîtier pour diminuer le poids du système et éviter des risques de blessure. Placez tous les modules de chariot sur un tapis antistatique ou une mousse antistatique.

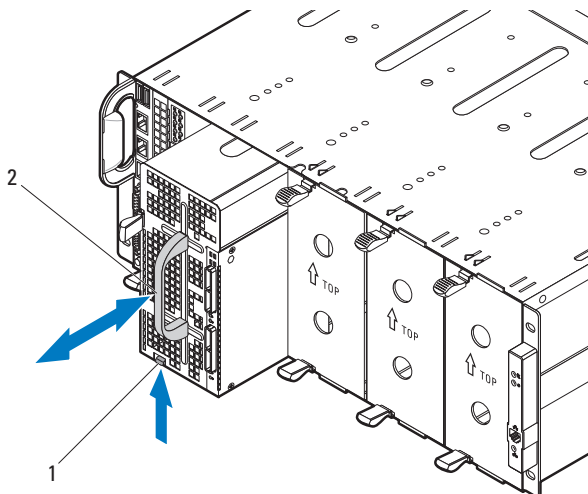
- Pour retirer un module de chariot largeur unique C8220, tirez le loquet de dégagement ❶ et au moyen de la poignée ❷ faites glisser le module de chariot hors du boîtier.



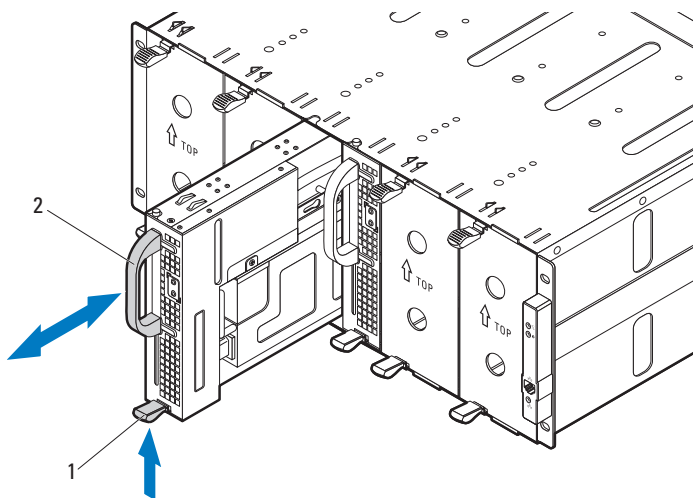
- Pour retirer un module de chariot double largeur C8220X, tirez le loquet de dégagement ❶ et au moyen de la poignée ❷ faites glisser le module de chariot hors du boîtier.



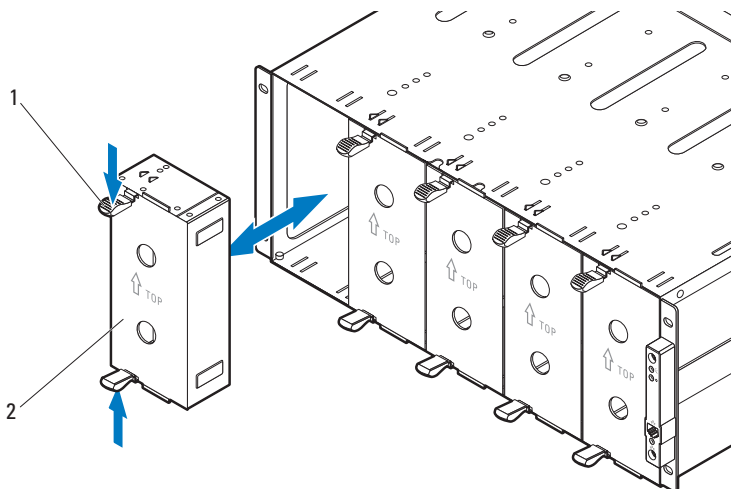
- Pour retirer un module de chariot de stockage C8000XD, tirez et maintenez la languette de dégagement ❶ puis au moyen de la poignée ❷ faites glisser le module de chariot hors du boîtier.



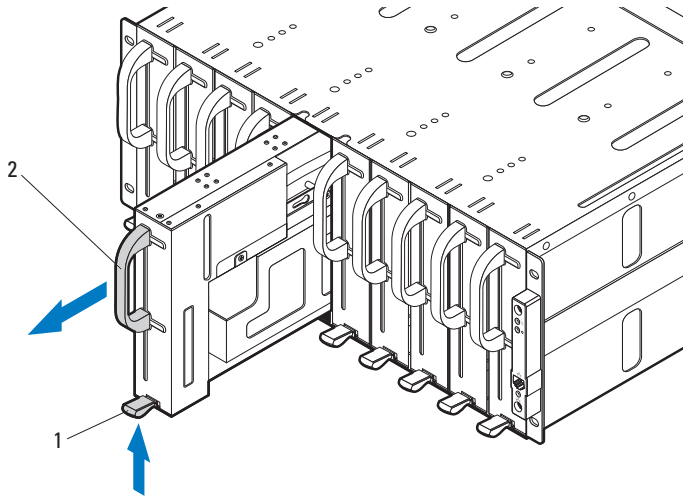
- Pour retirer un module de chariot, tirez sur le loquet de dégagement **1** et au moyen de la poignée **2** faites glisser le module de chariot hors du boîtier.



- Pour retirer un module de chariot double largeur, serrez et tenez les loquets de dégagement **1** puis tirez le module de chariot hors du boîtier **2**.



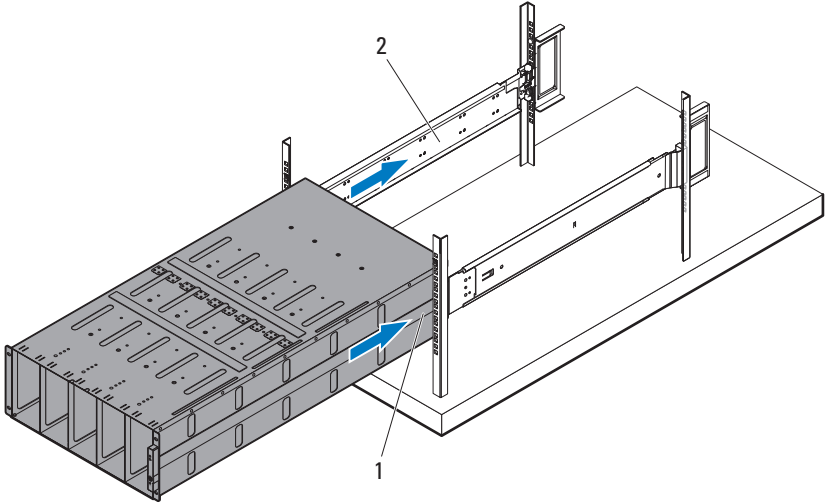
- Pour retirer un module de chariot largeur unique, **1** tirez le loquet de dégagement et au moyen de la poignée **2** faites glisser le cache hors du boîtier.



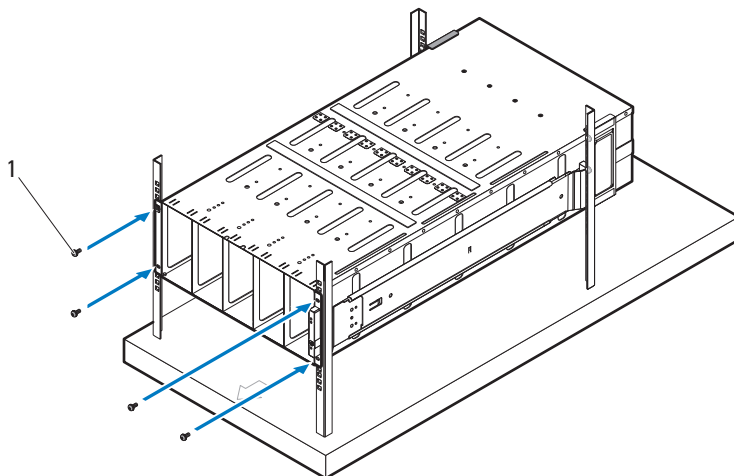
Installer le système dans le rack

⚠ AVERTISSEMENT : Demandez toujours de l'aide avant de soulever le système. N'essayez pas de le soulever seul, car vous risqueriez de vous blesser.

- 1 En vous faisant aider, alignez le boîtier de serveur ❶ aux rails ❷ puis poussez-le entièrement à l'intérieur du rack.

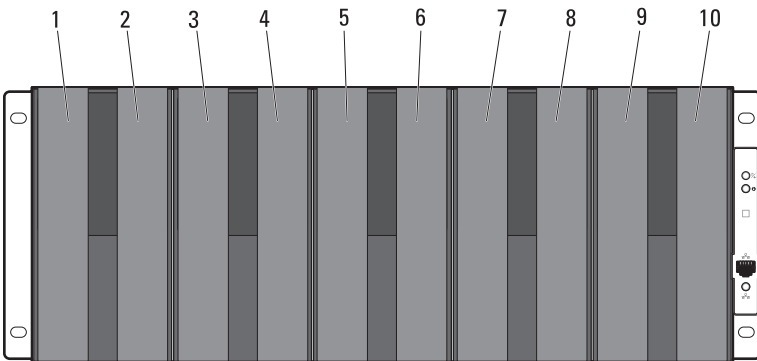


- 2 Fixez l'avant du boîtier aux montants gauche et droit du rack à l'aide de quatre vis 10-32 ③.



Numérotation des baies de chariot

Le châssis du serveur PowerEdge C8000 se divise en dix baies verticales. Un chariot de calcul largeur unique C8220 occupe une baie de chariot dans le boîtier du serveur et un chariot de calcul double largeur C8220X ou un chariot de stockage C8000XD occupe deux baies de chariot dans le boîtier du serveur. Lorsque vous installez un module de chariot dans le boîtier du serveur, vous devez commencer par la baie de chariot 1, puis vous déplacer vers la droite du châssis.



Type de module de chariot	Baies de chariot									
	1	2	3	4	5 ^a	6 ^a	7	8	9	10
Chariot de calcul largeur unique C8220	√	√	√	√	√	√	√	√	√	√
Chariot de calcul double largeur C8220X	√		√		√		√		√	
stockage C8000XD chariot ^b	√		√		√		√		√	
Chariot d'alimentation ^c	—	—	—	—	√	√	—	—	—	—

a. Les baies 5 et 6 prennent en charge l'installation d'un maximum de deux chariots d'alimentation ou de deux chariots de calcul C8220 ou une combinaison des deux types de chariots.

b. Dans le cas des enceintes de serveur avec source d'alimentation interne, installez les chariots de stockage C8000XD dans les baies de chariot 3 à 10 uniquement.

c. Les chariots d'alimentation s'installent uniquement dans les baies de chariot 5 et 6.

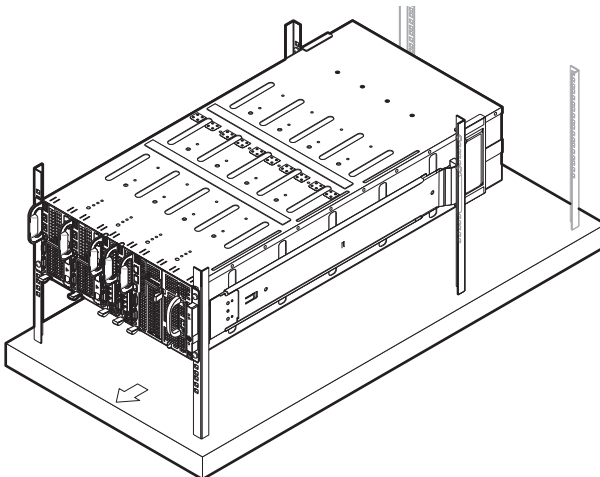
Remplissage du système

△ PRÉCAUTION : Pour assurer un fonctionnement et un refroidissement corrects, toutes les baies du boîtier doivent constamment être occupées par un chariot ou un chariot factice.

△ PRÉCAUTION : Pour assurer un refroidissement correct du système, vous devez installer un cache dans tous les logements de disque dur vacants.

Installez tous les composants dans le boîtier de serveur PowerEdge C8000.

- Pour installer un plateau de calcul C8220 à largeur simple, faites-le glisser dans le châssis jusqu'à ce qu'il soit en place et que le loquet de dégagement s'enclenche.
- Pour installer un plateau de calcul C8220X à largeur double, faites-le glisser dans le châssis jusqu'à ce qu'il soit en place et que le loquet de dégagement s'enclenche.
- Pour installer un plateau de stockage C8000XD à largeur double, faites-le glisser dans le châssis jusqu'à ce qu'il soit en place et que la languette de dégagement s'enclenche.
- Pour installer un plateau d'alimentation, faites-le glisser dans le châssis jusqu'à ce qu'il soit en place et que le loquet de dégagement s'enclenche.
- Pour installer un cache de chariot double largeur, faites-le glisser dans le châssis jusqu'à ce qu'il soit en place et que le loquet de dégagement s'enclenche.
- Pour installer un cache de chariot largeur unique, faites-le glisser dans le châssis jusqu'à ce qu'il soit en place et que le loquet de dégagement s'enclenche.



Installer les unités de distribution de l'alimentation externe dans le rack

⚠ AVERTISSEMENT : Demandez toujours de l'aide avant de soulever le système. N'essayez pas de le soulever seul, car vous risqueriez de vous blesser.

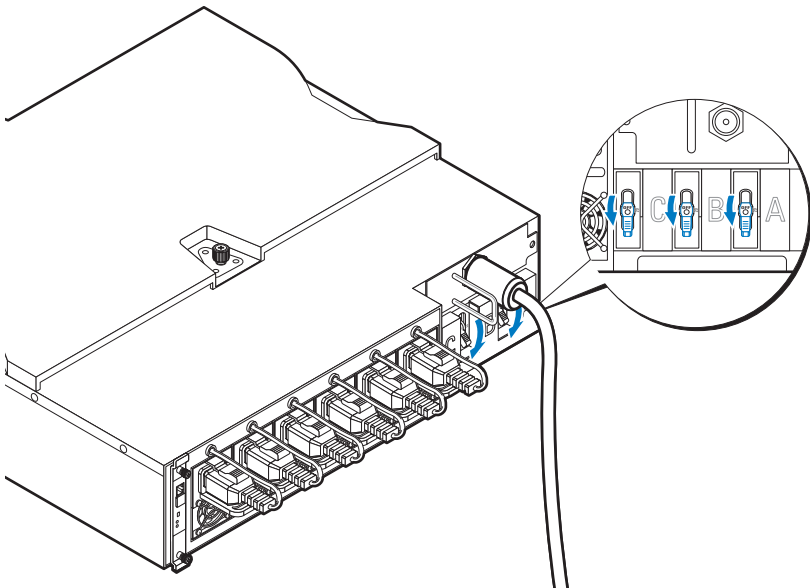
✍ REMARQUE : Les illustrations du périphérique PDU sont fournies à titre de référence uniquement. Reportez-vous à la documentation du périphérique PDU pour plus d'informations sur celui-ci.

✍ REMARQUE : Les supports de montage des unités de distribution de l'alimentation sont marqués L et R. Le rail marqué « L » s'attache à la gauche de l'unité de distribution de l'alimentation des périphériques et celui marqué « R » s'attache à la droite de l'unité de distribution de l'alimentation.

⚠ AVERTISSEMENT : Ne connectez pas les câbles d'alimentation au périphérique PDU pendant que l'unité de distribution de l'alimentation est sous tension et ne les déconnectez pas non plus dans ce cas.

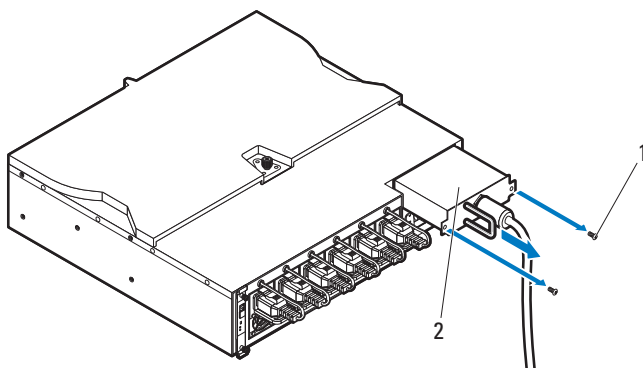
⚠ AVERTISSEMENT : Éteignez le module PDU pour éviter tout risque de choc électrique potentiellement fatal.

- 1 Éteignez l'unité de distribution de l'alimentation en plaçant les commutateurs A, B et C à la position « OFF ».

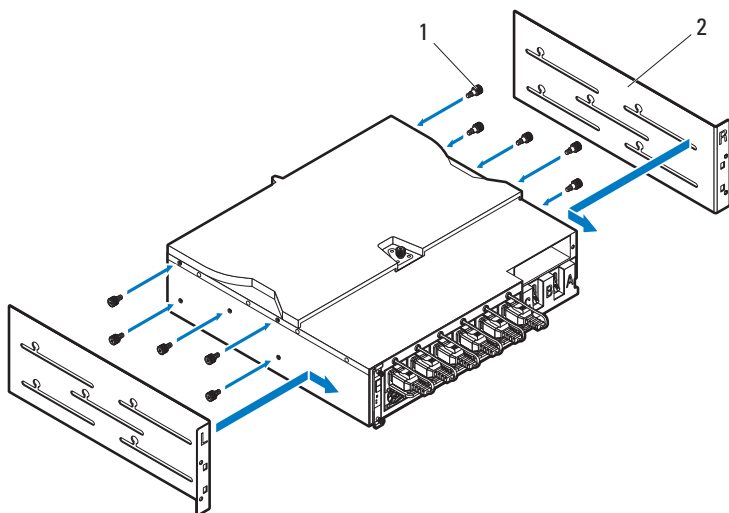


- 2 Déconnectez l'unité de distribution de l'alimentation de la source d'alimentation électrique.

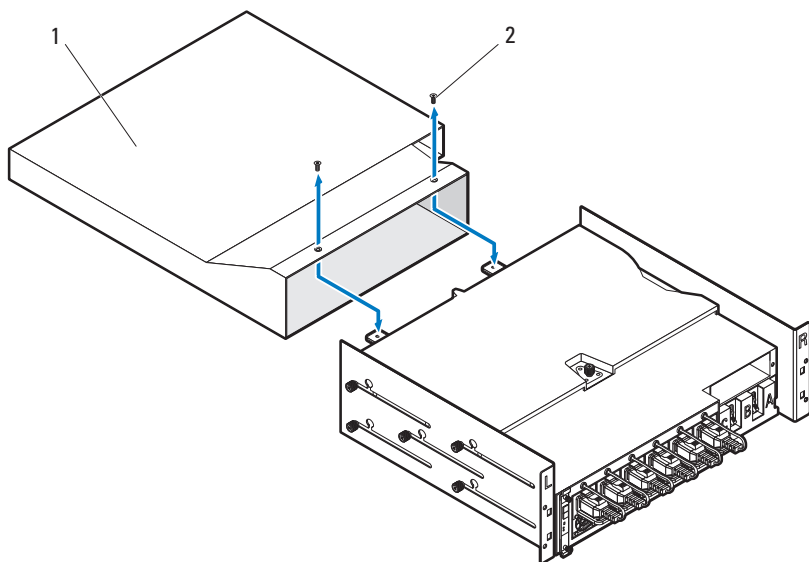
- 3** Retirez le module PCIB (boîte d'interface de câble d'alimentation).
- a** Retirez les deux vis de fixation **1** du module PCIB.
 - b** Saisissez la poignée du module PCIB et tirez-le hors de sa baie **2**.



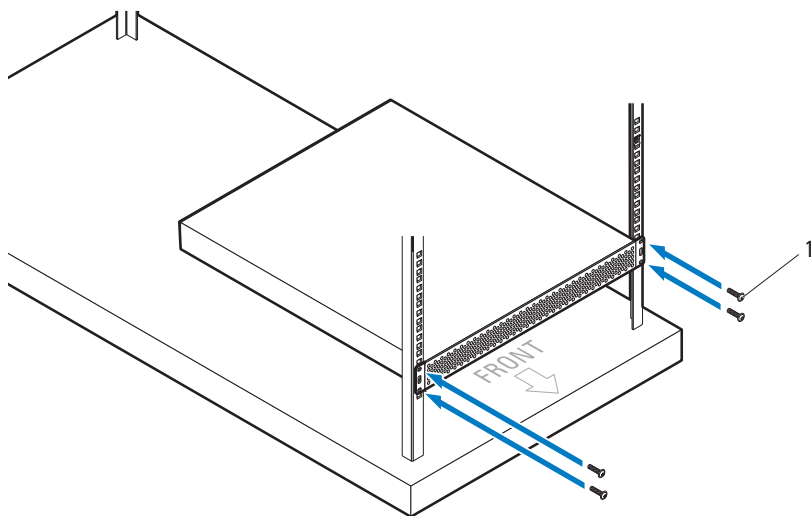
- 4** Fixez les supports de montage aux côtés de l'unité de distribution de l'alimentation.
- a** Apposer les dix vis **1** sur les côtés gauche et droit du module PDU.
 - b** Positionnez le support de montage gauche marqué « L » pour aligner les trous de vis avec les vis de l'unité de distribution de l'alimentation et faites glisser la bride de fixation vers l'arrière de l'unité de distribution de l'alimentation jusqu'à ce qu'elle se verrouille **2**.
 - c** Positionnez le support de montage droit marqué « R » pour aligner les trous de vis avec les vis de l'unité de distribution de l'alimentation et faites glisser la bride de fixation vers l'arrière de l'unité de distribution de l'alimentation jusqu'à ce qu'elle se verrouille **2**.



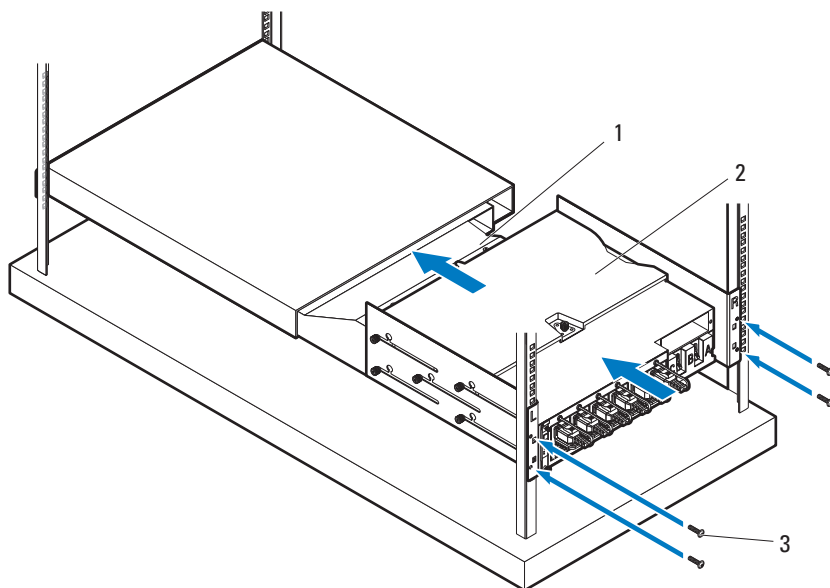
- 5** Installez le snorkel sur l'unité de distribution de l'alimentation.
 - a** Retirez le conduit d'air du snorkel.
 - b** Alignez le conduit d'air ❶ avec l'avant de l'unité de distribution de l'alimentation.
 - c** Fixez le conduit d'air à l'avant de l'unité de distribution de l'alimentation à l'aide des deux vis ❷.



- d Alignez le snorkel avec les montants du rack.
- e Fixez le tube aux montants du rack à l'aide des quatre vis ❶.




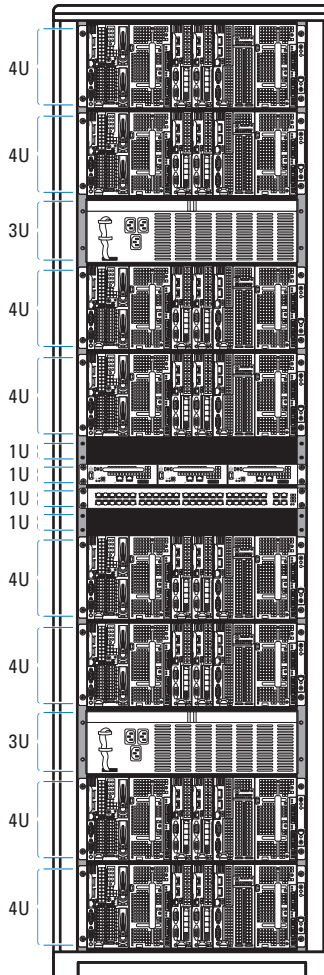
- 6 Avec de l'assistance, faites glisser le conduit d'air ❶ dans le tube et fixez l'arrière de l'unité de distribution de l'alimentation ❷ aux montants du rack à l'aide de quatre vis ❸.



Configuration du rack

L'illustration suivante présente un exemple de configuration de rack avec châssis de serveur PowerEdge C8000, périphériques d'unités de distribution de l'alimentation (PDU), commutateur et routeur dans un rack 42U.

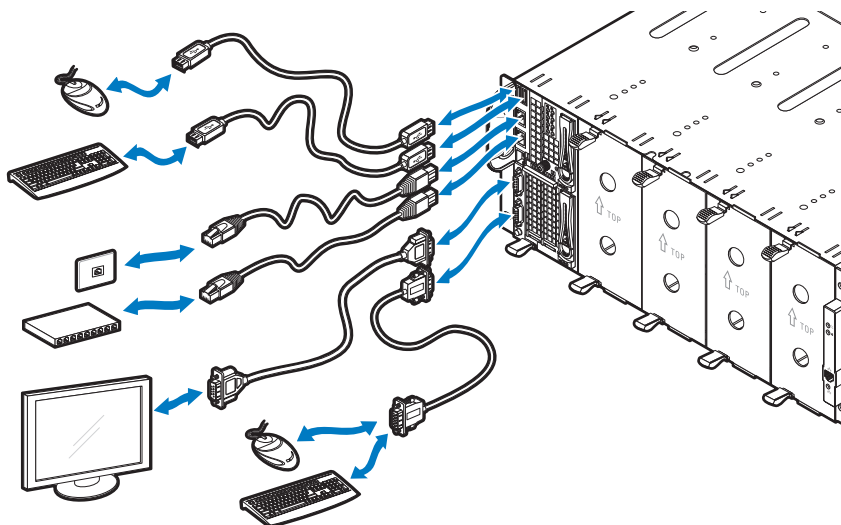
 **REMARQUE :** L'illustration de la configuration de rack est fournie qu'à titre de référence uniquement.



Connexion du clavier, de la souris et du moniteur

Connectez un clavier, une souris et un moniteur au plateau de calcul (facultatif).

La figure suivante illustre la connexion d'un clavier, d'une souris et d'un moniteur à un plateau de calcul C8220X à largeur double.

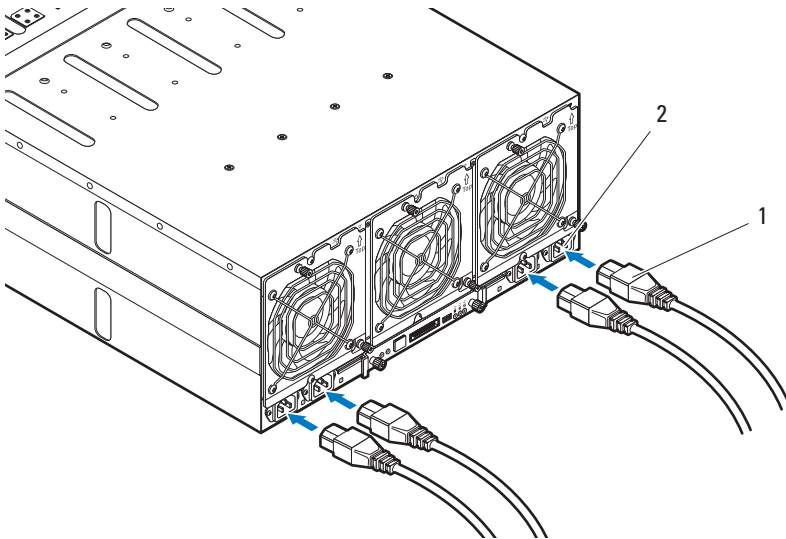


Connexion des câbles d'alimentation

Cette section explique comment connecter l'enceinte du serveur avec source d'alimentation interne ou externe à une PDU externe.

Boîtier de serveur avec source d'alimentation interne

- 1 À l'arrière du boîtier, connectez les câbles d'alimentation 2 aux prises d'alimentation CA 2.

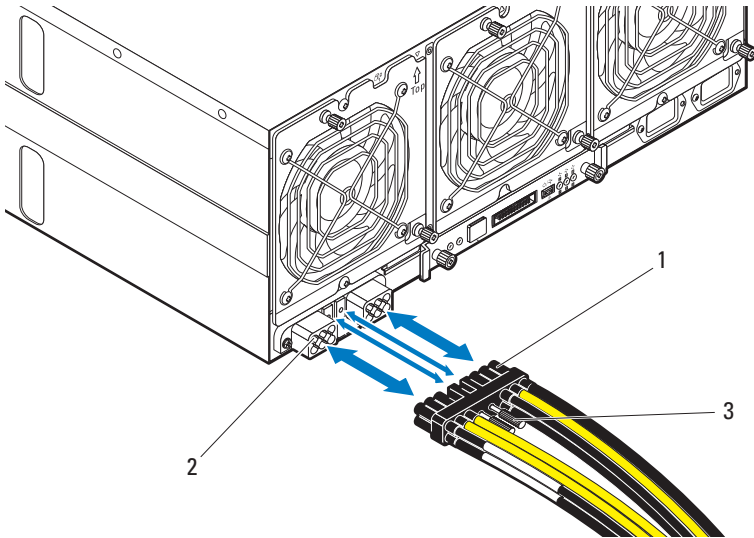


- 2 Branchez ensuite l'autre extrémité des câbles d'alimentation sur une prise de courant mise à la terre ou sur une source d'alimentation autonome, telle qu'un bloc d'alimentation non interrompu ou la PDU).

Boîtier de serveur avec source d'alimentation externe

⚠ AVERTISSEMENT : Assurez-vous que l'alimentation est désactivée sur tous les périphériques avant d'établir les connexions.

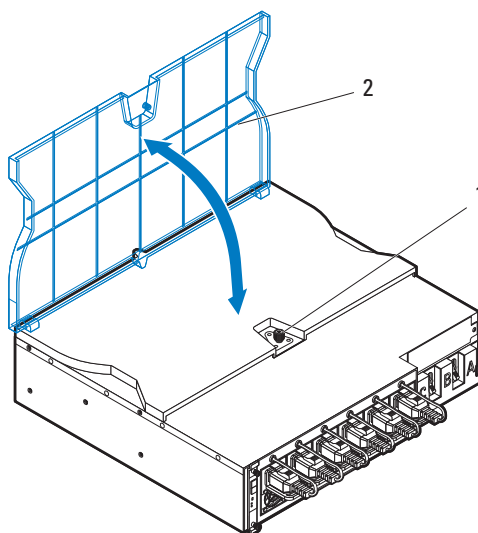
- 1 À l'arrière du boîtier, connectez le câble d'alimentation ❶ à la prise d'alimentation CC ❷.
- 2 Serrez les deux vis centrales ❸ sur le câble pour sécuriser la connexion.



Connexion de l'enceinte du serveur à une unité de distribution de l'alimentation du rack

⚠ AVERTISSEMENT : Ne connectez pas les câbles d'alimentation au périphérique PDU pendant que l'unité de distribution de l'alimentation est sous tension et ne les déconnectez pas non plus dans ce cas. Éteignez le module PDU pour éviter tout risque de choc électrique potentiellement fatal. Mettez les commutateurs du module PDU A, B et C à la position « OFF ».

- 1 Déverrouillez le capot des câbles ❶.
- 2 Faites pivoter le capot ❷ vers l'arrière et à l'écart de l'unité de distribution de l'alimentation.

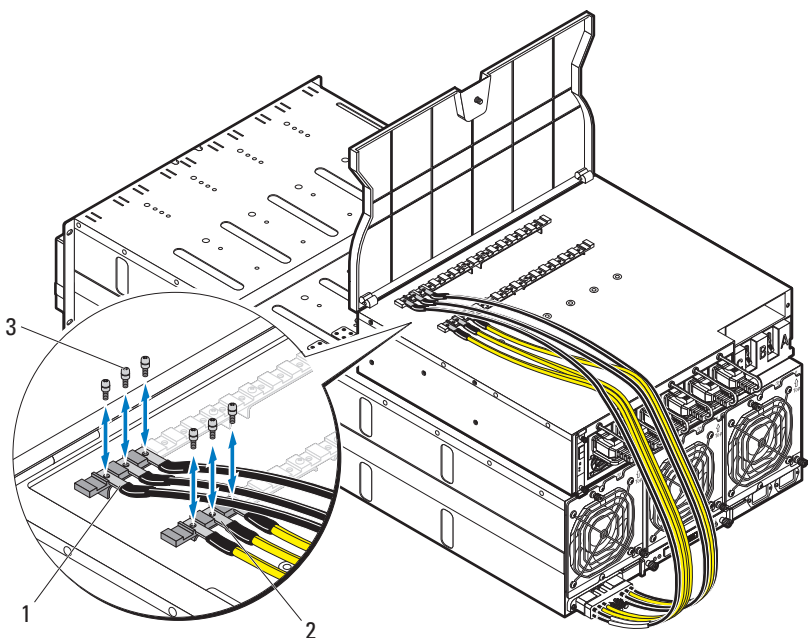


- 3 Branchez les câbles d'alimentation des enceintes de serveur à la barre du bus d'alimentation de la PDU.

📌 REMARQUE : Le périphérique PDU prend en charge un maximum de cinq enceintes de PowerEdge C8000 serveur en fonction de la configuration du système et du budget de consommation.

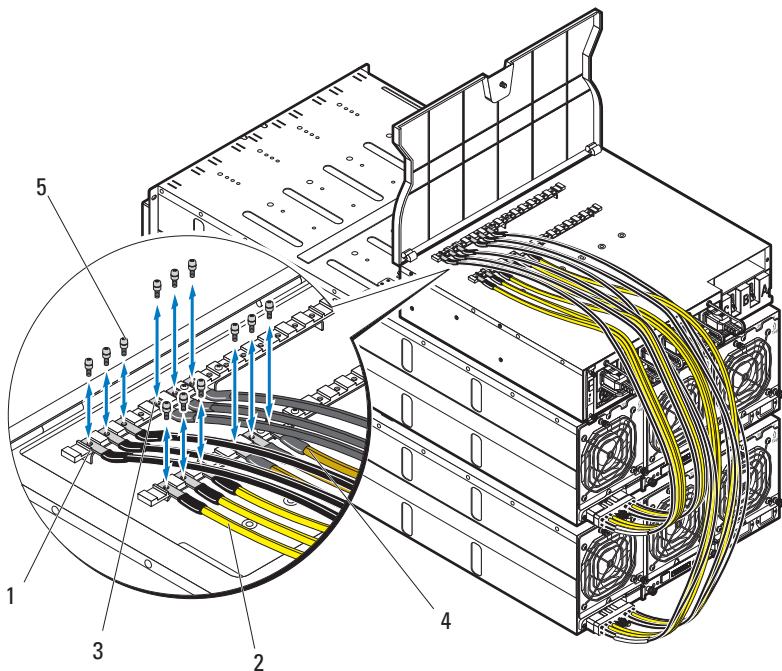
Pour connecter un seul châssis de serveur à l'unité de distribution de l'alimentation :

- a Sécurisez les trois écrous de câble d'alimentation noirs ❶ à la barre bus du haut au moyen de trois vis ❸.
- b Sécurisez les trois écrous de câble d'alimentation jaunes ❷ à la barre bus du bas au moyen de trois vis ❸.



Pour connecter plusieurs boîtiers de serveur à l'unité de distribution de l'alimentation :

- a Sécurisez les trois écrous de câble d'alimentation noirs du premier boîtier de serveur ❶ à la barre bus du haut au moyen de trois vis ❸.
- b Sécurisez les trois écrous de câble d'alimentation jaunes du premier boîtier de serveur ❷ à la barre bus du bas au moyen de trois vis ❸.
- c Sécurisez les trois écrous de câble d'alimentation noirs du premier boîtier de serveur ❶ à la barre bus du haut au moyen de trois vis ❸.
- d Sécurisez les trois écrous de câble d'alimentation jaunes du second boîtier de serveur ❹ à la barre bus du bas au moyen de trois vis ❸.

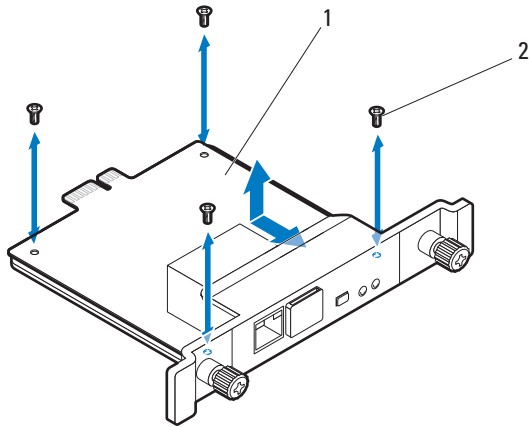


REMARQUE : Vérifiez que tous les cordons d'alimentation sont correctement et solidement connectés aux barres du bus de l'unité de distribution de l'alimentation.

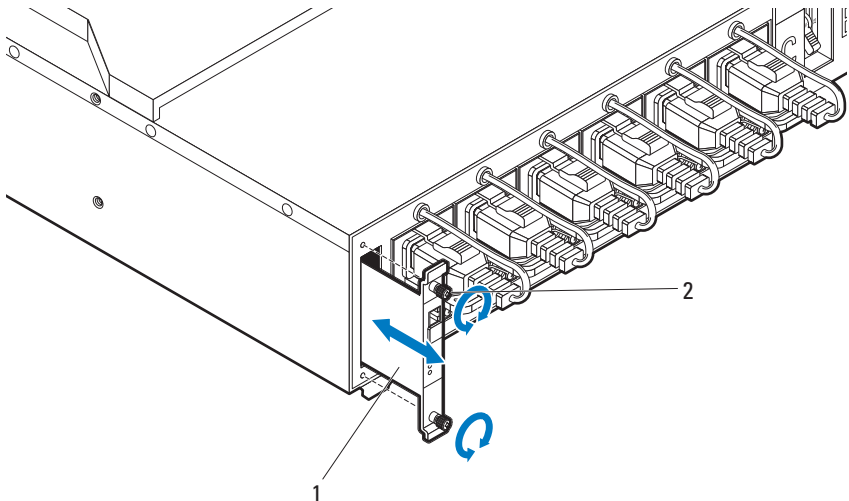
- 4 Fermez le couvercle de protection des câbles et fixez-le à l'unité de distribution de l'alimentation.

Connexion de la PDU au réseau

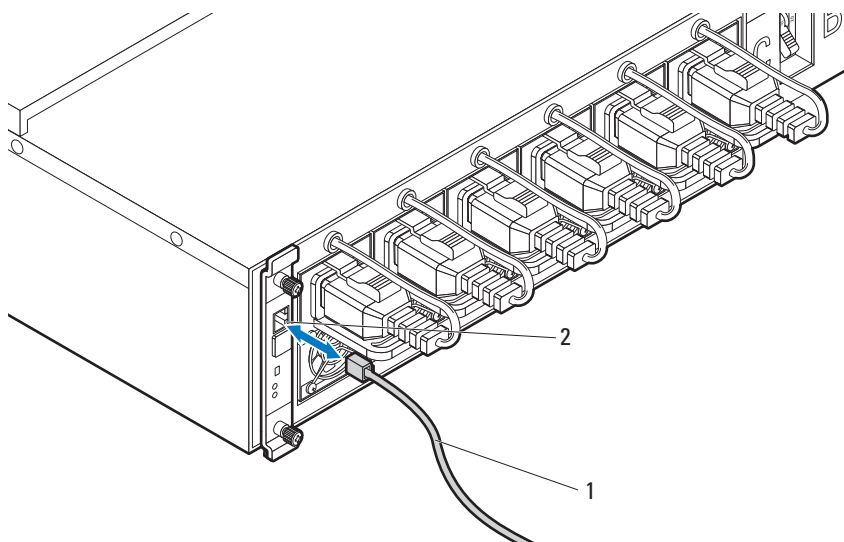
- 1 Installez le contrôleur de gestion de l'alimentation (PMC) dans l'unité de distribution de l'alimentation et connectez-vous à votre réseau.
 - a Fixez la carte PMC ❶ au plateau du PMC avec les quatre vis ❷.



- b Insérez l'assemblage PMC ❶ dans l'unité de distribution de l'alimentation et fixez-le à l'aide des deux vis moletées ❷.



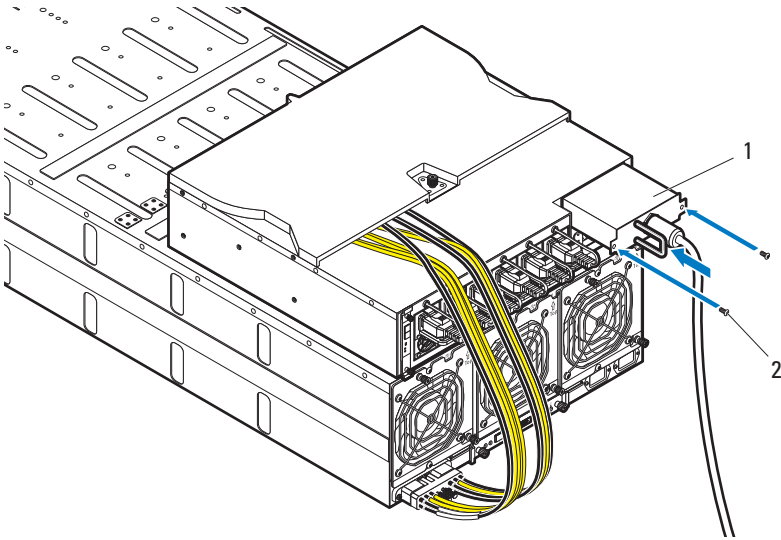
- c Branchez le câble réseau ❶ au port de carte réseau 1❷.



Mise sous tension du système

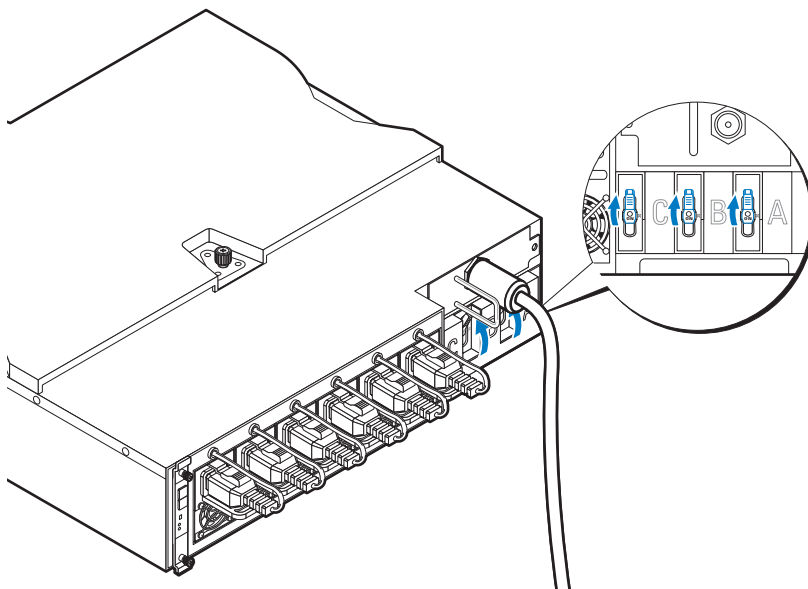
Mise sous tension de l'unité de distribution de l'alimentation

- 1 Installez le module PCIB dans l'unité de distribution de l'alimentation.
 - a Insérez le module PCIB dans la baie PCIB ❶.
 - b Fixez le module PCIB dans l'unité de distribution de l'alimentation à l'aide des deux vis ❷.




- 2 Connectez l'unité de distribution de l'alimentation à la source d'alimentation.

- 3 Allumez l'unité de distribution de l'alimentation en mettant les commutateurs A, B et C à la position « ON ».



- 4 Pour activer la surveillance des unités de distribution de l'alimentation via le réseau, allumez la carte PMC en appuyant sur le bouton d'alimentation, situé sur la carte PMC. Lorsque l'alimentation est appliquée à l'unité de distribution de l'alimentation, l'indicateur d'alimentation/d'état à l'avant de la carte PMC s'allume en vert.

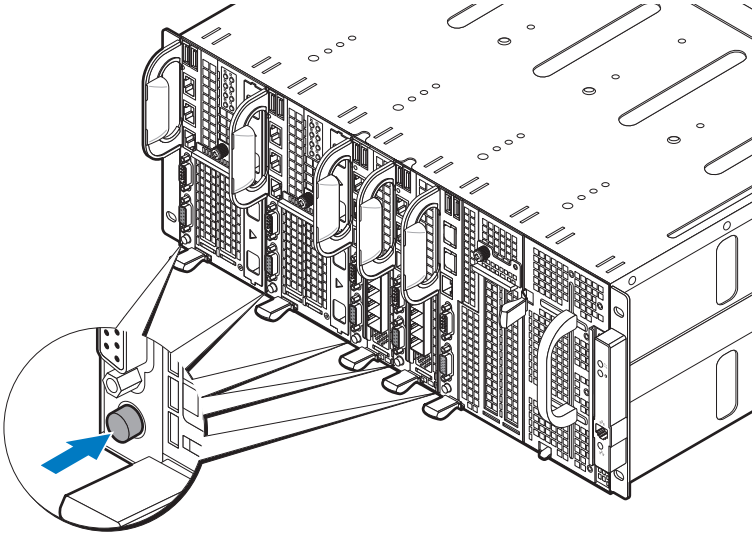
 **REMARQUE :** Les illustrations de la carte PMC et du PMC contenues dans ce guide sont fournies à titre de référence uniquement. Reportez-vous à la documentation du périphérique PDU pour plus d'informations sur celui-ci.

Mise sous tension du boîtier de serveur

Lorsque le système est connecté à une source d'alimentation, l'alimentation principale est automatiquement distribuée au châssis du serveur. Une fois le châssis du serveur alimenté, le voyant d'alimentation/événement situé à l'avant du châssis s'allume en vert et l'alimentation principale est distribuée à tous les plateaux du châssis.

Mise sous tension des plateaux

Pour mettre sous tension le plateau de calcul C8220 ou C8220X, appuyez sur le bouton d'alimentation correspondant ou utilisez le contrôleur de gestion de la carte mère. Lorsque le chariot est sous tension, le voyant d'alimentation situé à l'avant du chariot s'allume en vert. Lorsqu'il est installé dans le châssis du serveur, le plateau de stockage C8000XD s'allume automatiquement. Consultez également le Guide du contrôleur de gestion de la carte mère à l'adresse support.dell.com/manuals.



Finalisation de l'installation du système d'exploitation

Consultez la documentation relative à l'installation et à la configuration du système d'exploitation si vous installez celui-ci pour la première fois. Veillez à installer le système d'exploitation avant tout élément matériel ou logiciel acheté séparément.

Systèmes d'exploitation pris en charge

- Citrix XenServer Enterprise Edition 5.6
- Citrix XenServer Enterprise Edition 6.1
- Microsoft Windows Server 2008 Enterprise Edition Release 2 (64 bits)
- Microsoft Windows Server 2012
- Microsoft Windows HPC 2008 Release 2
- Microsoft HyperV
- Red Hat Enterprise Linux 6.1 (64 bits)
- Red Hat Enterprise Linux 6.3 (64 bits)
- SUSE Linux Enterprise Server 11 SP2 (64 bits)
- Ubuntu 12.04.1 LTS 64 bits
- VMware ESXi 5.0
- VMware ESXi 5.0 U1
- VMware ESXi 5.0 U2
- VMware ESX 5.1
- VMware ESXi 5.1 U1



REMARQUE : Pour obtenir les dernières informations sur les systèmes d'exploitation pris en charge, rendez-vous sur le site dell.com/ossupport.

Autres informations utiles



AVERTISSEMENT : Voir les informations sur la sécurité et les réglementations fournies avec votre système. Les informations sur la garantie se trouvent dans ce document ou dans un document distinct.

- Consultez le Manuel du propriétaire du matériel PowerEdge C8000 pour obtenir des informations sur les fonctionnalités, le dépannage et le remplacement des composants du système. Ce document est disponible en ligne sur le site support.dell.com/manuals.
- Consultez le Manuel du propriétaire du matériel PowerEdge C8220 pour obtenir des informations sur les fonctionnalités, le dépannage et le remplacement des composants du système. Ce document est disponible en ligne sur le site support.dell.com/manuals.
- Consultez le Manuel du propriétaire du matériel PowerEdge C8220X pour obtenir des informations sur les fonctionnalités, le dépannage et le remplacement des composants du système. Ce document est disponible en ligne sur le site support.dell.com/manuals.
- Consultez le Manuel du propriétaire du matériel PowerEdge C8000XD pour obtenir des informations sur les fonctionnalités, le dépannage et le remplacement des composants du système. Ce document est disponible en ligne sur le site support.dell.com/manuals.
- Le Guide du Contrôleur BMC contient des informations sur l'installation et l'utilisation de l'utilitaire de gestion des systèmes. Ce document est disponible en ligne sur le site support.dell.com/manuals.



REMARQUE : Vérifiez toujours si des mises à jour sont disponibles et lisez-les en premier, car elles remplacent souvent les informations contenues dans les autres documents.

Informations NOM

PowerEdge C8000

Les informations suivantes, concernant l'appareil décrit dans ce document, sont fournies conformément aux exigences de la Norme Officielle Mexicaine (NOM) :

Importateur :	Dell Inc. de México, S.A. de C.V. Paseo de la Reforma 2620-11° Piso Col. Lomas Altas 11950 México, D.F.
Numéro de modèle :	B10S
Tension d'alimentation :	200–240 V CA (avec quatre blocs d'alimentation de 1 400 W CA) ou 12 V CC (avec unité de distribution de l'alimentation externe)
Fréquence :	50–60 Hz
Consommation électrique :	9 A (x4) (avec quatre blocs d'alimentation de 1 400 W CA) ou 480 A (avec unité de distribution de l'alimentation externe)

PowerEdge C8220

Les informations suivantes, concernant l'appareil décrit dans ce document, sont fournies conformément aux exigences de la Norme Officielle Mexicaine (NOM) :

Importateur :	Dell Inc. de México, S.A. de C.V. Paseo de la Reforma 2620-11° Piso Col. Lomas Altas 11950 México, D.F.
Numéro de modèle :	B05B
Tension d'alimentation :	12 V CC
Consommation électrique :	42 A

PowerEdge C8220X

Les informations suivantes, concernant l'appareil décrit dans ce document, sont fournies conformément aux exigences de la Norme Officielle Mexicaine (NOM) :

Importateur :	Dell Inc. de México, S.A. de C.V. Paseo de la Reforma 2620-11° Piso Col. Lomas Altas 11950 México, D.F.
Numéro de modèle :	B06B
Tension d'alimentation :	12 V CC
Consommation électrique :	92 A

PowerEdge C8000XD

Les informations suivantes, concernant l'appareil décrit dans ce document, sont fournies conformément aux exigences de la Norme Officielle Mexicaine (NOM) :

Importateur :	Dell Inc. de México, S.A. de C.V. Paseo de la Reforma 2620-11° Piso Col. Lomas Altas 11950 México, D.F.
Numéro de modèle :	B06B
Tension d'alimentation :	12 V CC
Consommation électrique :	30 A

Caractéristiques techniques

Spécifications des plateaux de calcul (par plateau)

Processeur

Type de processeur	Deux processeurs Intel Xeon série E5
Support du processeur	Deux matrices LGA 2011

Jeu de puces du système

Contrôleur d'extension de la plateforme	Intel X79
Contrôleur réseau	Intel i350-BT2
Contrôleur vidéo	Aspeed AST2300

Mémoire

Type de mémoire	Barrettes DDR3 UDIMM, RDIMM, LRDIMM
Connecteurs de barrettes de mémoire	16 supports DIMM
Capacité des barrettes de mémoire	Barrettes RDIMM de 2 Go, 4 Go, 8 Go, 16 Go et 32 Go
RAM minimale	UDIMM 512 Mo ; RDIMM 1 Go
RAM maximale	UDIMM 128 Go ; RDIMM 256 Go
Non de canaux de mémoire (par UC)	4 canaux

Périphérique de stockage

Plateau de calcul PowerEdge C8220 à largeur simple	<ul style="list-style-type: none">• Port SATA 3 Gbit/s x 4• Port SATA 6 Gbit/s x 2• HDD SATA 2,5-pouces x2
--	--

Spécifications des plateaux de calcul (par plateau) *(suite)*

Plateau de calcul PowerEdge C8220X à largeur double	<ul style="list-style-type: none">• Port SATA 3 Gbit/s x 4• Port SATA 6 Gbit/s x 2• HDD SATA 2,5-pouces x2• HDD SAS/SATA 2,5-pouces x 8 ou HDD SAS/SATA 3,5-pouces x 4• HDD SAS/SATA 2,5-pouces enfichables à chaud x 2 (PowerEdge C8220X accessible par l'avant disques durs enfichables à chaud 2,5-pouces)
---	---

Carte graphique

Plateau de calcul PowerEdge C8220X à largeur double	PowerEdge C8220X avec carte GPGPU/MIC <ul style="list-style-type: none">• NVIDIA Tesla M2090• NVIDIA Tesla K20• Intel Xeon Phi 5110P
---	--

Logements d'extension

Plateau de calcul PowerEdge C8220 à largeur simple	<ul style="list-style-type: none">• Un logement PCI Express 2.0 x16• Un logement de carte mezzanine x8
Plateau de calcul PowerEdge C8220X à largeur double	<ul style="list-style-type: none">• Deux logements PCI Express 3.0 x 8 (Type de connecteur x16)• Un logement de carte mezzanine x8
PowerEdge C8220X avec carte GPGPU/MIC à largeur double Chariot de calcul	<ul style="list-style-type: none">• Un logement PCI Express 3.0 x 16 via carte de montage unique• Un logement PCI Express 3.0 x 16 via câble• Un logement de carte mezzanine x8

Interfaces

Port de gestion BMC	1 à l'avant
Carte réseau	Deux ports de carte d'interface réseau 1 Go
Série	1 à l'avant
VGA	1 à l'avant
USB	2 à l'avant

Spécifications des plateaux de calcul (par plateau) (suite)

Voyant UID 1 à l'avant

Alimentation

Batteries

Batterie du système Pile bouton au lithium-ion CR 2032 (3 V)

Batterie RAID (en option) Pack au lithium-ion (3,7 V)

Spécifications des plateaux de stockage (par plateau)

Configuration des plateaux de disque dur

Mode à deux ports (redondant) Support standard

Mode à port unique (non-redondant)

- Support standard
- Support flexible
- Support d'extension

Mode d'extension (sans segmentation/ deux zones/quatre zones) Support d'extension

Périphérique de stockage

Support standard HDD SAS/SATA/SSD 3,5-pouces x 12

Support flexible HDD SAS/SATA/SSD 2,5-pouces x 12

Support d'extension HDD SSD 2,5-pouces x 24

Interface

Mini-SAS 4 à l'avant

Spécifications des plateaux d'alimentation (par plateau)

Interfaces

Voyant d'alimentation 2 à l'avant

Connecteur d'alimentation 2 connecteurs CC (12 V & GND)

Module d'alimentation (par bloc)

Puissance 1400 W

Connecteur IEC C20

Tension	200–240 V CA, 50–60 Hz, 9 A max
Dissipation thermique	1205 BTU/h. maximum
Courant d'appel maximal	Dans des conditions électriques normales et sur toute la plage ambiante de fonctionnement du système, le courant d'appel peut atteindre 25 A par bloc d'alimentation pendant une durée maximale de 10 ms.

Spécifications du châssis du serveur

Caractéristiques physiques

Hauteur	17,5 cm (6,9 pouces)
Largeur	44,7 cm (17,6 pouces)
Profondeur	81,3 cm (32,0 pouces)
Poids (vide)	17,93 kg (39,53 livres)

Prise en charge des plateaux

Boîtier de serveur avec source d'alimentation interne	<ul style="list-style-type: none"> • Jusqu'à 8 plateaux de calcul PowerEdge C8220 à largeur simple • Jusqu'à 4 plateaux de calcul PowerEdge C8220X à largeur double • Jusqu'à 4 plateaux de stockage C8000XD • Jusqu'à 2 plateaux d'alimentation
Boîtier du serveur avec unité de distribution d'alimentation externe	<ul style="list-style-type: none"> • Jusqu'à 10 plateaux de calcul PowerEdge C8220 à largeur simple • Jusqu'à 5 plateaux de calcul PowerEdge C8220X à largeur double • Jusqu'à 5 plateaux de stockage C8000XD

Interfaces

Carte réseau	Deux ports de carte réseau 10/100 Mo (1 à l'avant, 1 à l'arrière)
Série	1 à l'arrière
Voyant d'alimentation/événement	2 (1 à l'avant, 1 à l'arrière)
Voyant UID	2 (1 à l'avant, 1 à l'arrière)

Spécifications du châssis du serveur

Voyant d'activité Ethernet	1 à l'avant
Capteur thermique	1 à l'avant
Voyant d'échec du module de ventilation du système	3 à l'arrière

Ventilateurs du système

Type de ventilateur	3 modules de ventilation (2 ventilateurs par module, 6 au total)
---------------------	--

Alimentation

Bloc d'alimentation CC

Tension

avec une unité de distribution de l'alimentation externe 12 V CC, 50-60 Hz, 680 A maximum avec 6 unités d'alimentation installées

Environnement

REMARQUE : Pour plus d'informations concernant les mesures d'exploitation liées à des configurations spécifiques, voir la page dell.com/environmental_datasheets.

Température

En fonctionnement De 10 à 35 °C (50 à 95 °F) avec un gradient thermique maximal de 10 °C par heure

Stockage De -40 à 65 °C (de -40 à 149 °F) avec un gradient thermique maximal de 20 °C par heure

Humidité relative

En fonctionnement De 20 à 80 % (sans condensation) avec un gradient d'humidité maximal de 10 % par heure

Stockage De 5 à 95 % (sans condensation)

Tolérance maximale aux vibrations

En fonctionnement 0,26 Grms à 5–350 Hz

Stockage 1,87 Grms avec un balayage de 10 à 500 Hz pendant 15 minutes

Choc maximal

Environnement (suite)

En fonctionnement	Un choc de 31 G de chaque côté du système, pendant 2,6 ms sur l'axe z positif (système installé dans la position de fonctionnement)
Stockage	Six chocs consécutifs de 71 G en positif et négatif sur les axes x, y et z (une impulsion de chaque côté du système) pendant un maximum de 2 ms ; Six chocs consécutifs sur les axes x, y et z en positif et négatif (une impulsion de chaque côté du système) d'impulsion d'onde carrée de 27 G avec un changement de vitesse de 235 po/s (597 cm/s)
Altitude	
En fonctionnement	-16 à 3 048 m (-50 à 10 000 pieds) REMARQUE : Pour les altitudes supérieures à 2950 pieds, la température maximale de fonctionnement est réduite de 1° F / 550 pieds.
Stockage	-16 à 10 600 m (-50 à 35 000 pieds)
Contaminants en suspension dans l'air	
Classe	G1 selon la norme ISA-S71.04-1985

Dell PowerEdge
C8000, C8220, C8220X
und C8000XD

Erste Schritte mit dem System

Modell: B10S, B05B, B06B
Typ: B10S001, B05B001, B06B001,
B06B002



Anmerkungen, Vorsichtshinweise und Warnungen



ANMERKUNG: Eine ANMERKUNG macht auf wichtige Informationen aufmerksam, mit denen Sie den Computer besser einsetzen können.



VORSICHTSHINWEIS: Durch VORSICHTSHINWEISE werden Sie auf potenzielle Gefahrenquellen hingewiesen, die Hardwareschäden oder Datenverlust zur Folge haben könnten, wenn die Anweisungen nicht befolgt werden.



WARNING: Durch eine WARNING werden Sie auf Gefahrenquellen hingewiesen, die materielle Schäden, Verletzungen oder sogar den Tod von Personen zur Folge haben können.

Die in diesem Dokument enthaltenen Informationen können sich ohne vorherige Ankündigung ändern.

© 2013 Dell Inc. Alle Rechte vorbehalten.

Die Vervielfältigung oder Wiedergabe dieser Materialien in jeglicher Weise ohne vorherige schriftliche Genehmigung von Dell Inc. ist strengstens untersagt.

In diesem Text verwendete Warenzeichen: Dell™, das DELL-Logo, Dell Precision™, OptiPlex™, Latitude™, PowerEdge™, PowerVault™, PowerConnect™, OpenManage™, EqualLogic™, KACE™, FlexAddress™ und Vostro™ sind Warenzeichen von Dell Inc. Intel®, Pentium®, Xeon®, Core™ und Celeron® sind eingetragene Warenzeichen von Intel Corporation in den USA und anderen Ländern. Microsoft®, Windows®, Windows Server®, MS-DOS® und Windows Vista® sind Marken oder eingetragene Marken von Microsoft Corporation in den USA und/oder anderen Ländern. Red Hat® und Red Hat® Enterprise Linux® sind eingetragene Marken von Red Hat, Inc. in den USA und/oder anderen Ländern. Novell® ist eine eingetragene Marke und SUSE™ ist eine Marke von Novell Inc. in den USA und anderen Ländern. Oracle® ist eine eingetragene Marke der Oracle Corporation und/oder von ihren Tochterunternehmen. Citrix®, Xen®, XenServer® und XenMotion® sind eingetragene Marken oder Marken von Citrix Systems, Inc. in den USA und/oder anderen Ländern. VMware®, Virtual SMP®, vMotion®, vCenter® und vSphere® sind eingetragene Marken oder Marken von VMWare, Inc. in den USA oder anderen Ländern. NVIDIA und Tesla™ sind Marken und/oder eingetragene Marken von NVIDIA Corporation. Ubuntu ist eine eingetragene Marke von Canonical Ltd.

Alle anderen in dieser Publikation möglicherweise verwendeten Marken und Handelsbezeichnungen beziehen sich entweder auf die entsprechenden Hersteller und Firmen oder auf deren Produkte. Dell Inc. erhebt keinen Anspruch auf Markenzeichen und Handelsbezeichnungen mit Ausnahme der eigenen.

Modell: B10S, B05B, B06B

Typ: B10S001, B05B001, B06B001, B06B002

2013 - 01 Teilenr. NJK8N Rev. A04

VORSICHTSHINWEIS: Standort mit Zugangsbeschränkung

Dieser Server ist ausschließlich für eine Installation in Standorten mit eingeschränktem Zugriff (gemäß Definition) vorgesehen, wo die beiden folgenden Bedingungen gelten:

- Zugang dürfen nur Servicemitarbeiter oder Benutzer erhalten, die über die Gründe für die Einschränkungen hinsichtlich des Standorts und über alle notwendigen Vorsichtsmaßnahmen unterrichtet sind.
- Der Zugang erfolgt durch die Nutzung eines Werkzeugs, einer Sperre, eines Schlüssels oder anderer Sicherungsvorrichtungen und wird durch die für den Standort zuständige Dienststelle kontrolliert.

Installation und Konfiguration

WARNUNG: Lesen und befolgen Sie vor dem Ausführen der folgenden Schritte die Sicherheitshinweise für das System.


Das Servergehäuse PowerEdge C8000 ist ein flexibles und skalierbares Gehäuse für eine 4HE-Rack-Montage. PowerEdge C8000 enthält zehn vertikal ausgerichtete Schächte, die ein Gehäuse mit einheitlichen oder mit gemischten Schlitten unterstützen. Ein Gehäuse mit einheitlichen Schlitten kann bis zu fünf C8220X-Rechnerschlitten mit doppelter Baubreite, zehn C8220-Rechnerschlitten mit einfacher Baubreite oder fünf C8000XD-Speicherschlitten enthalten. Ein Gehäuse mit gemischten Einschüben kann eine Kombination verschiedener Einschubtypen unterstützen.

Empfohlene Werkzeuge

Bevor Sie mit den Installationsaufgaben beginnen, stellen Sie sicher, dass Sie Folgendes haben:

- Kreuzschlitzschraubendreher der Größe 1
- Kreuzschlitzschraubendreher der Größe 2
- Erdungsband, das mit der Erde verbunden ist
- Antistatikmatte oder Antistatikschaumstoff


Auspacken des Systems

 **WARNUNG:** Beim Anheben des Systems sollten Sie sich stets von anderen helfen lassen. Um Verletzungen zu vermeiden, sollten Sie nicht versuchen, das System allein zu bewegen.


 **VORSICHTSHINWEIS:** Tragen Sie ein Erdungsarmband, wenn Sie mit den Systemkomponenten arbeiten.


- 1 Bereiten Sie eine Antistatikmatte oder einen Antistatikschaumstoff vor, um das PowerEdge C8000-Servergehäuse abzustellen.
- 2 Packen Sie das Gehäuse aus und platzieren Sie es auf eine Antistatikmatte oder einen Antistatikschaumstoff.
- 3 Bewahren Sie die Kartonschachtel für spätere Verwendung auf.

Installieren der Schienenvorrichtung (ohne Werkzeug)

 **WARNUNG:** Beim Anheben des Systems sollten Sie sich stets von anderen helfen lassen. Um Verletzungen zu vermeiden, sollten Sie nicht versuchen, das System allein zu bewegen.

 **WARNUNG:** Das System ist nicht am Rack oder an den Schienen befestigt. Um Verletzungen und Schäden am System zu vermeiden, müssen Sie das System beim Installieren und Entfernen ausreichend abstützen.

 **WARNUNG:** Um die Gefahr eines elektrischen Schlags zu vermeiden, wird für die Rack-Installation ein Schutzerdungsleiter (dritter Anschlussdraht) benötigt. Die Rack-Ausrüstung muss eine ausreichende Luftbewegung um das System ermöglichen, damit eine ordnungsgemäße Kühlung gewährleistet ist.

 **VORSICHTSHINWEIS:** Die Schienenzapfen müssen die Vierkantbolzen bündig mit den Rackstützen abschließen, um ordnungsgemäß installiert zu sein.



ANMERKUNG: Die Rackschienen sind mit LINKS und RECHTS gekennzeichnet. Von der Vorderseite des Racks verbindet sich die Schiene, die mit LINKS gekennzeichnet ist, an den linken Rackpfosten und die Schiene, die mit RECHTS gekennzeichnet ist, verbindet sich an den rechten Rackpfosten.

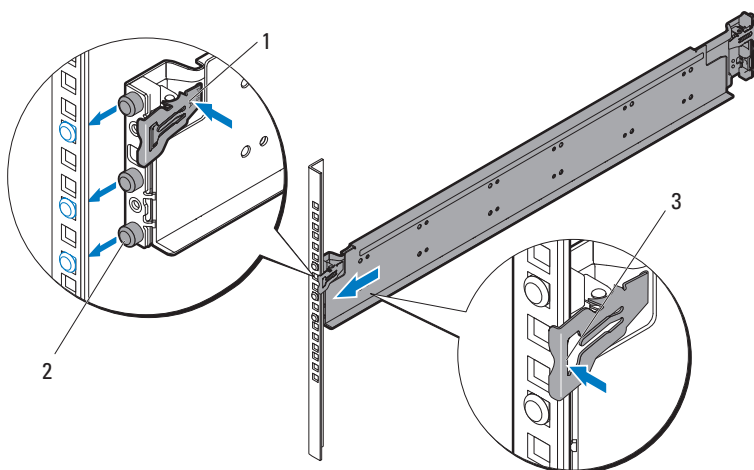
- 1 Legen Sie fest, wo die Montageschienen im Rack montiert werden sollen. Achten Sie darauf, dass im Rack genug Platz für das 4U-Gehäuse ist. In einem Standard-Rack erstreckt sich ein 4U-Gehäuse über 12 Rackpostenlöcher.
- 2 Verwenden Sie die Markierungen auf der linken und rechten Seite der Schiene, um die Schienen richtig an die Rackposten zu richten.
- 3 Befestigen Sie die linke Schiene und die Arretierklammer am Rack.
 - a Richten Sie die linke Schiene, die mit **LINKS** markiert ist, mit den Montagelöchern am Rackposten aus.
 - b Drücken Sie die Taste ❶ für die Entriegelung der Schiene und halten Sie sie fest, um den Riegel an der Vorderseite der linken Schiene zu öffnen.
 - c Richten Sie die drei Stifte ❷ mit den Montagelöchern in den vorderen Rackposten aus.
 - d Lassen Sie die Taste ❸ los, wenn sie am vorderen Rack-Stift einrastet.



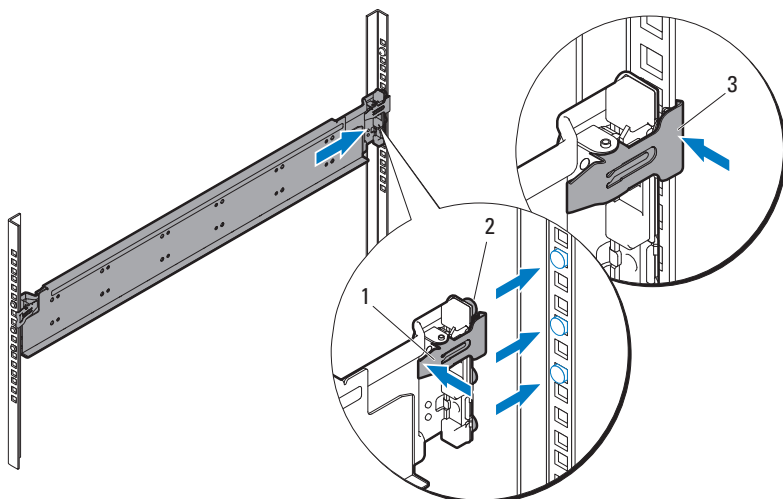
ANMERKUNG: Vergewissern Sie sich, dass der Schienenverriegelungsklinke richtig eingerastet ist.



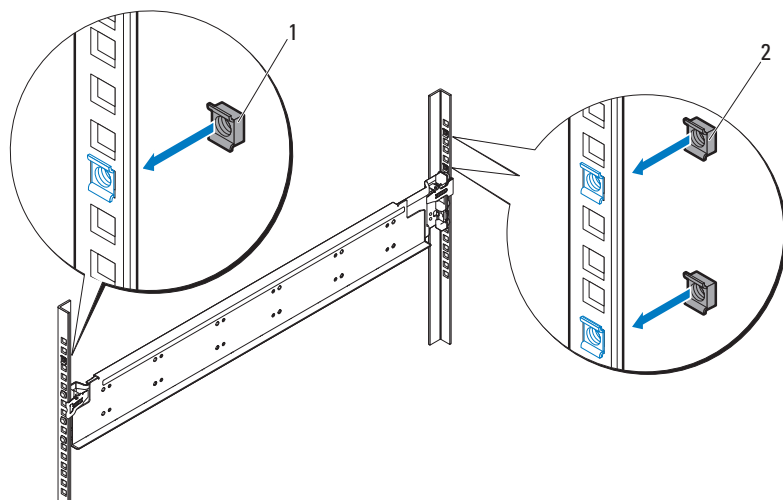
ANMERKUNG: Die Schienen lassen sich sowohl in Racks mit Vierkant- als auch mit Rundlöchern verwenden.



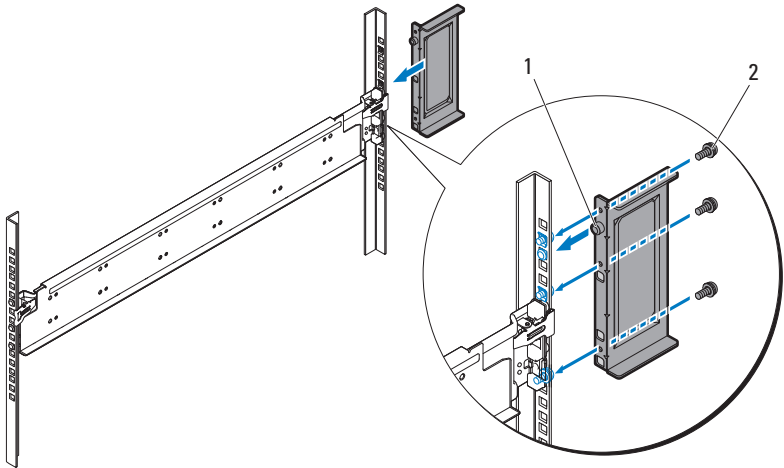
- e Drücken Sie die Taste ❶ für die Entriegelung der Schiene und halten Sie sie fest, um den Riegel an der Rückseite der Schiene zu öffnen.
- f Richten Sie die drei Stifte ❷ mit den Montagelöchern mit den hinteren Rackpfosten aus.
- g Lassen Sie die Taste ❸ los, wenn sie am hinteren Rack-Stift einrastet.



- h Installieren Sie eine Käfigmutter ❶ vorne am Rack-Stift und zwei Käfigmutter ❷ am hinteren Rack-Stift.



- i Richten Sie die Arretierklammer ❶ an der hinteren Rack-Stütze aus und befestigen Sie sie mit den drei 10-32-Schrauben ❷. Wenden Sie beim Anziehen der Schrauben ein Drehmoment von 35 in-lbs auf.



- 4 Befestigen Sie die rechte Schiene und die Arretierklammer am Rack.

Verwenden Sie denselben Vorgang, um die rechte Schiene und Stopklammer an der richtigen Seite des Racks zu installieren.



ANMERKUNG: Um die Schienen zu entfernen, drücken und halten Sie die Schienenverriegelungsklinke mitten auf dem Endstück und lösen Sie die einzelnen Schienen.

Installieren des Systems

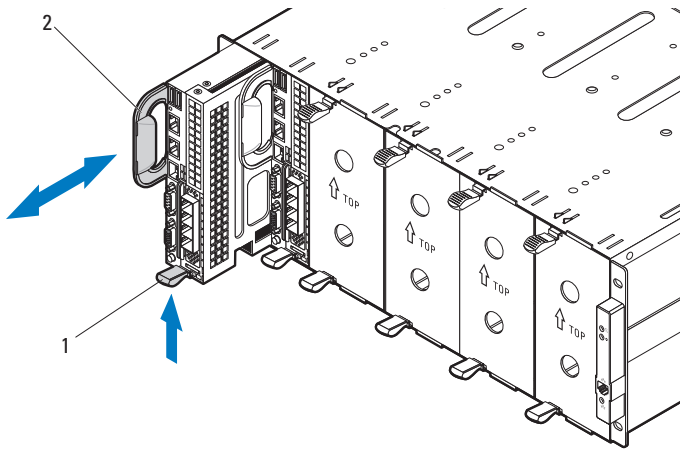
Der Abschnitt behandelt die folgenden Unterabschnitte:

- Leeren des Systems
- Installieren Sie das System im Rack.
- Nummerierung der Einschubschächte
- Bestücken des Systems
- Installieren Sie die externen Stromverteiler (PDU) in das Rack
- Rack-Konfiguration

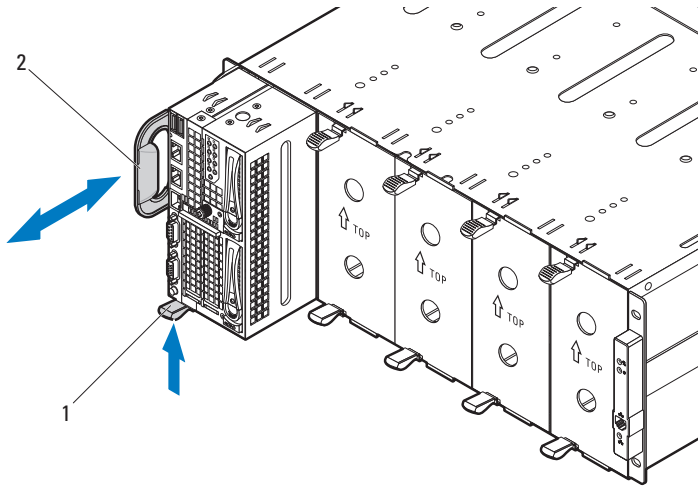
Leeren des Systems

Bevor Sie ein PowerEdge C8000-Servergehäuse in einem Rack installieren, entfernen Sie alle Gleitmodule aus dem Gehäuse, um das Gewicht des Systems zu reduzieren und Verletzungen zu vermeiden. Platzieren Sie alle Gleitmodule auf eine Antistatikmatte oder einen Antistatikschaumstoff.

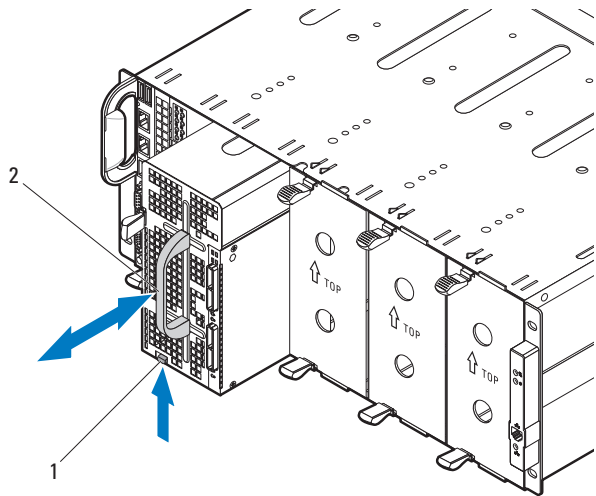
- Zum Entfernen eines C8220-Rechnerschlittens mit einfacher Baubreite ziehen Sie die Verriegelungsklinke ❶ nach oben und ziehen Sie den Schlitten am Griff ❷ aus dem Gehäuse.



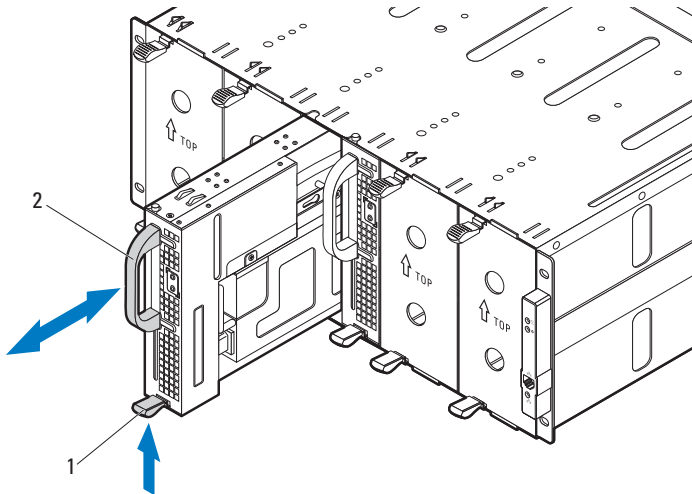
- Zum Entfernen eines C8220X-Rechnerschlittens mit doppelter Baubreite ziehen Sie die Verriegelungsklinke ❶ nach oben und ziehen Sie den Schlitten am Griff ❷ aus dem Gehäuse.



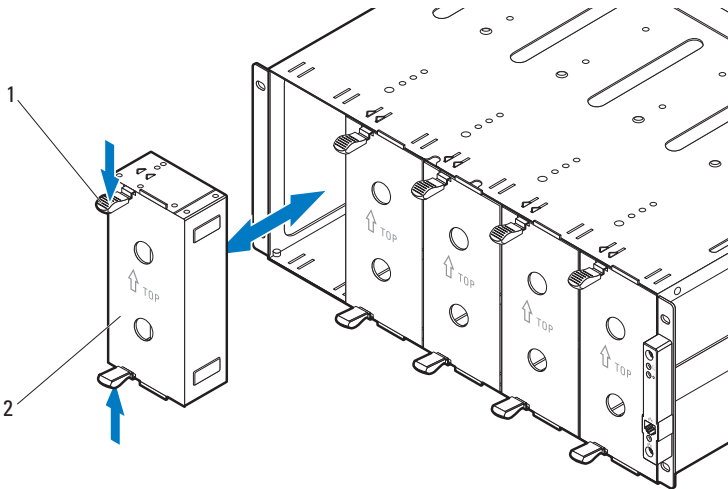
- Zum Entfernen eines C8000XD-Speicherschlittens ziehen und halten Sie die Verriegelungslasche ❶ und ziehen Sie den Schlitten am Griff ❷ aus dem Gehäuse.



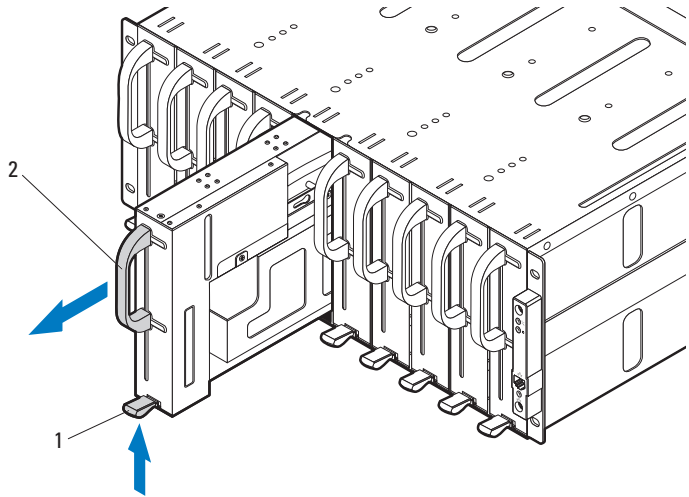
- Zum Entfernen eines Stomschlittens ziehen Sie die Verriegelungsklinke **1** nach oben und ziehen Sie den Schlitten am Griff **2** aus dem Gehäuse.



- Um einen Schlittenplatzhalter mit doppelter Baubreite zu entfernen, drücken und halten Sie die Freigaberiegel **1** und ziehen Sie den Schlittenplatzhalter aus dem Gehäuse **2**.



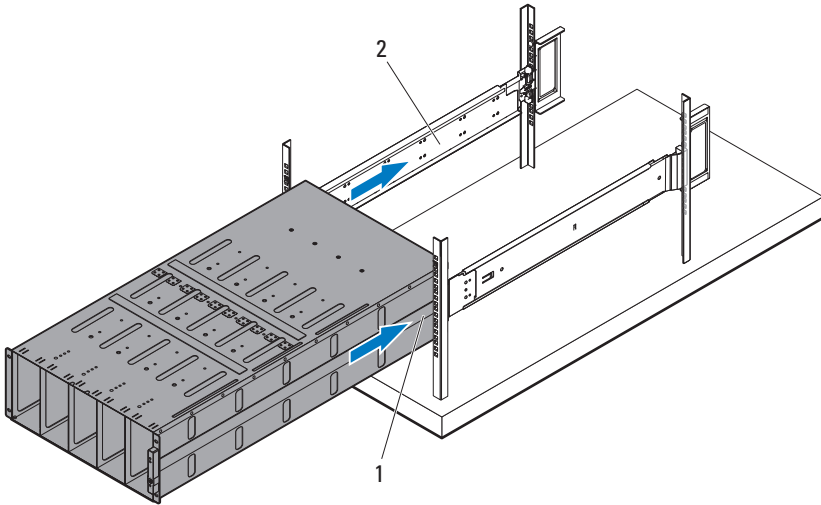
- Um einen Schlittenplatzhalter mit einfacher Baubreite zu entfernen, ziehen Sie die Freigabevorrichtung nach oben **1** und ziehen Sie den Schlittenplatzhalter am Griff **2** aus dem Gehäuse.



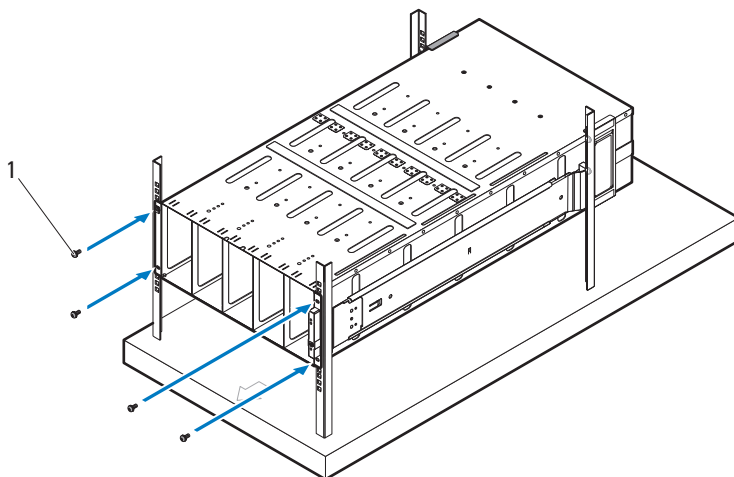
Installieren Sie das System im Rack.

! **WARNUNG:** Beim Anheben des Systems sollten Sie sich stets von anderen helfen lassen. Um Verletzungen zu vermeiden, sollten Sie nicht versuchen, das System allein zu bewegen.

- 1 Richten Sie das Servergehäuse ❶ mit Hilfe an den Schienen ❷ aus und schieben Sie es ganz in das Rack.

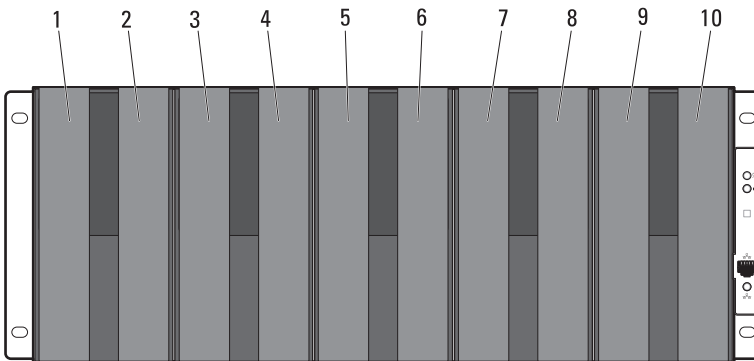


- 2 Befestigen Sie die Vorderseite des Gehäuses mit vier 10-32-Schrauben an der linken und rechten Rack-Stütze ③.



Nummerierung der Einschubschächte

Das Servergehäuse PowerEdge C8000 ist in zehn vertikale Schächte unterteilt. Ein C8220-Rechnereinschub in einfacher Baubreite besetzt einen der Einschubschächte und ein C8220X-Rechnereinschub in doppelter Baubreite oder ein C8000XD-Speichereinschub besetzen zwei Einschubschächte im Servergehäuse. Bei der Installation eines Einschubmoduls im Servergehäuse sollten Sie das Einschubmodul zuerst in Einschubschacht 1 installieren und dann in Richtung der rechten Gehäuseseite weiterarbeiten.



Einschubmodultyp	Einschubschächte									
	1	2	3	4	5 ^a	6 ^a	7	8	9	10
C8220-Rechnerschlitzen mit einfacher Baubreite	✓	✓	✓	✓	✓	✓	✓	✓	✓	✓
C8220X-Rechnerschlitzen mit doppelter Baubreite	✓		✓		✓		✓		✓	
C8000XD-Speicher Schlitzen ^b	✓		✓		✓		✓		✓	
Stromschlitzen ^c	—	—	—	—	✓	✓	—	—	—	—

a. Die Schlitzenchächte 5 und 6 unterstützen die Installation von zwei Stromversorgungsschlitzen oder zwei C8220-Rechnerschlitzen oder eine Kombination dieser beiden Schlitzentypen.

b. Installieren Sie für Server-Gehäuse mit interner Stromversorgung die C8000XD-Speichereinschübe nur in den Schächten 3 bis 10.

c. Installieren Sie die Stromversorgungsschlitzen nur in den Schlitzenchächten 5 und 6.

Bestücken des Systems



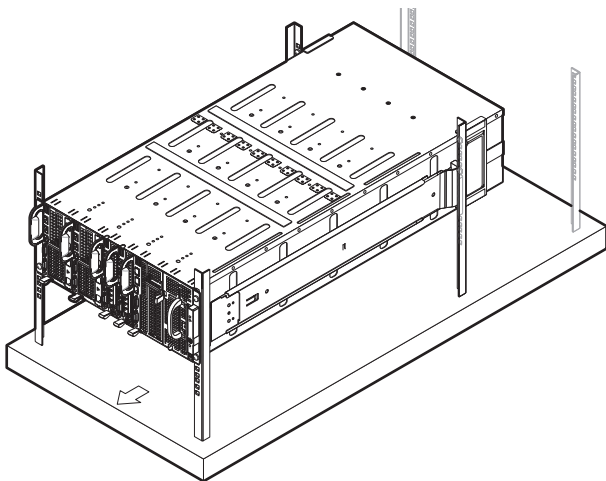
VORSICHTSHINWEIS: Um ordnungsgemäßen Betrieb und Kühlung zu gewährleisten, müssen alle Schächte im Gehäuse ständig mit einem Einschub oder einem Einschubplatzhalter belegt sein.








VORSICHTSHINWEIS: Um eine ausreichende Systemkühlung zu gewährleisten, müssen alle leeren Laufwerkschächte mit entsprechenden Platzhaltern belegt sein.

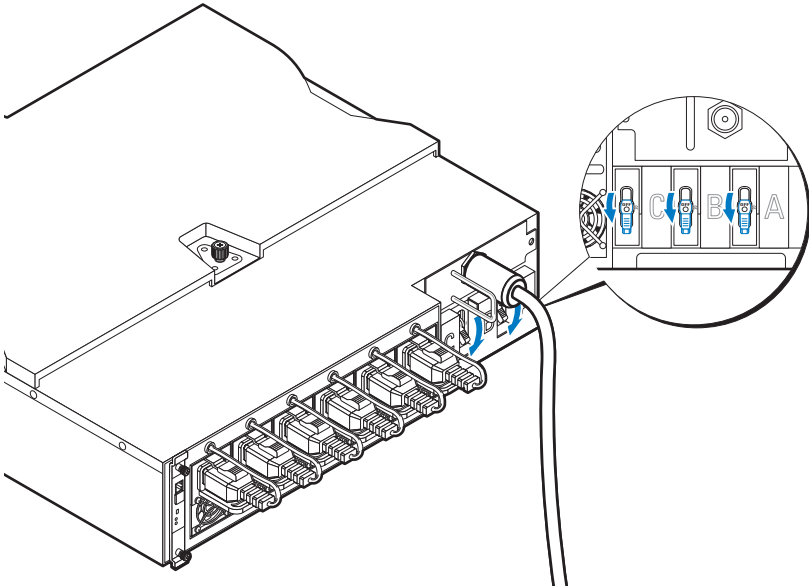
Installieren Sie alle Komponenten im PowerEdge C8000-Servergehäuse.

- Zur Installation eines C8220-Rechnerschlittens mit einfacher Baubreite schieben Sie den neuen Schlitten in das Gehäuse, bis der Schlitten vollständig eingesetzt ist und die Sperklinke einrastet.
- Zur Installation eines C8220X-Rechnerschlittens mit doppelter Baubreite schieben Sie den neuen Schlitten in das Gehäuse, bis der Schlitten vollständig eingesetzt ist und die Sperklinke einrastet.
- Zur Installation eines C8000XD-Speicherschlittens schieben Sie den neuen Schlitten in das Gehäuse, bis der Schlitten vollständig eingesetzt ist und die Freigabelasche einrastet.
- Zur Installation eines Stromversorgungsschlittens schieben Sie den neuen Schlitten in das Gehäuse, bis der Schlitten vollständig eingesetzt ist und die Sperklinke einrastet.
- Zur Installation eines Schlittenplatzhalters mit doppelter Breite schieben Sie den Platzhalter in das Gehäuse, bis er vollständig eingesetzt ist und die Sperklinten einrasten.
- Zur Installation eines Schlittenplatzhalters mit einfacher Breite schieben Sie den Platzhalter in das Gehäuse, bis er vollständig eingesetzt ist und die Sperklinten einrasten.



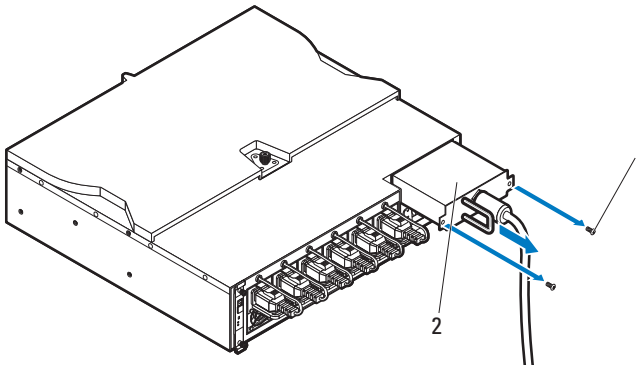
Installieren Sie die externen Stromverteiler (PDU) in das Rack

-  **WARNUNG:** Beim Anheben des Systems sollten Sie sich stets von anderen helfen lassen. Um Verletzungen zu vermeiden, sollten Sie nicht versuchen, das System allein zu bewegen.
 -  **ANMERKUNG:** Die Abbildungen des PDU-Geräts dienen nur als Referenz. Weitere Informationen über das PDU-Gerät finden Sie in der Dokumentation zum PDU-Gerät.
 -  **ANMERKUNG:** Die PDU-Montagehalterungen sind mit L und R markiert. Die Schiene, die mit „L“ markiert ist verbindet sich an der linken Seite des PDU-Geräts und die Schiene, die mit „R“ markiert ist, verbindet sich an der rechten Seite des PDU-Geräts.
 -  **WARNUNG:** Schließen Sie keine Kabel an bzw. trennen Sie die Stromkabel zum PDU-Gerät nicht, während die PDU mit Strom versorgt wird.
 -  **WARNUNG:** Schalten Sie die PDU-Unterbrechungsschalter aus, um einen potenziell schweren oder tödlichen Stromschlag zu vermeiden.
- 1 Schalten Sie die PDU-Unterbrechungsschalter aus, indem Sie die A-, B- und C-Unterbrechungsschalter auf die „AUS“-Stellung umschalten.

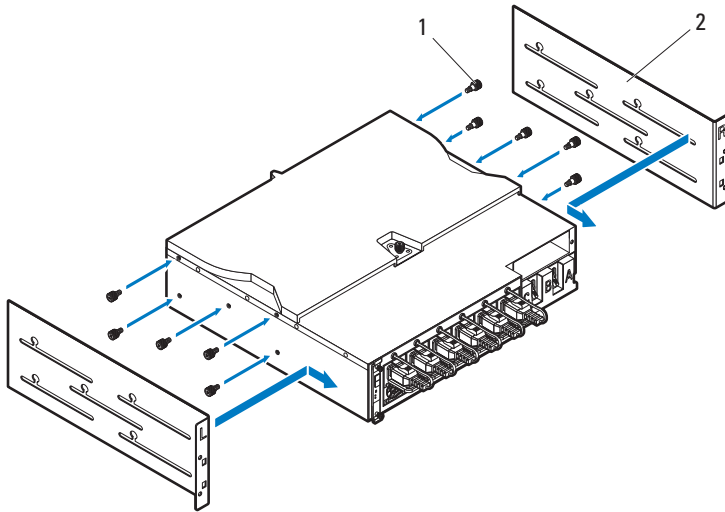


2 Trennen Sie die Stromverteilungseinheit von der Stromquelle.

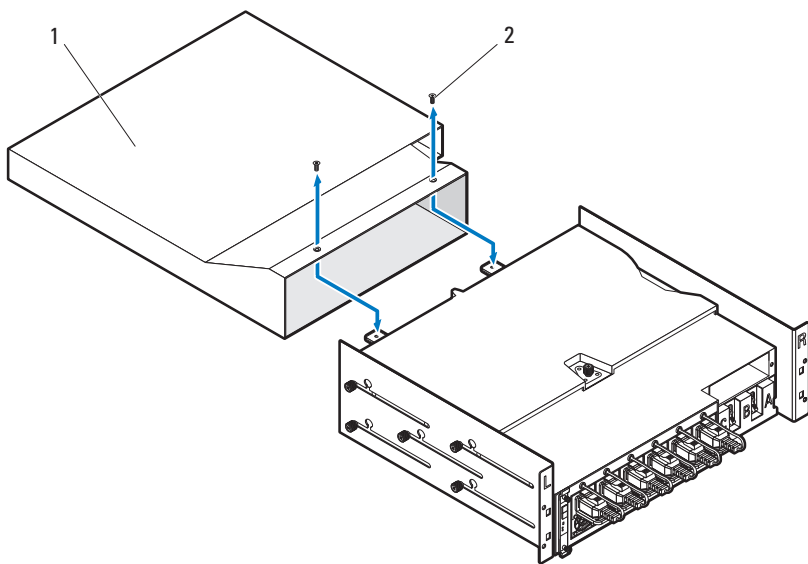
- 3** Entfernen Sie das Stromversorgungskabel-Schnittstellenbox (PCIB)-Modul.
- a** Entfernen Sie die zwei Schrauben, mit denen das PCIB-Modul **1** gesichert ist.
 - b** Fassen Sie den PCIB-Griff und ziehen Sie das Modul aus seinem Schacht **2**.



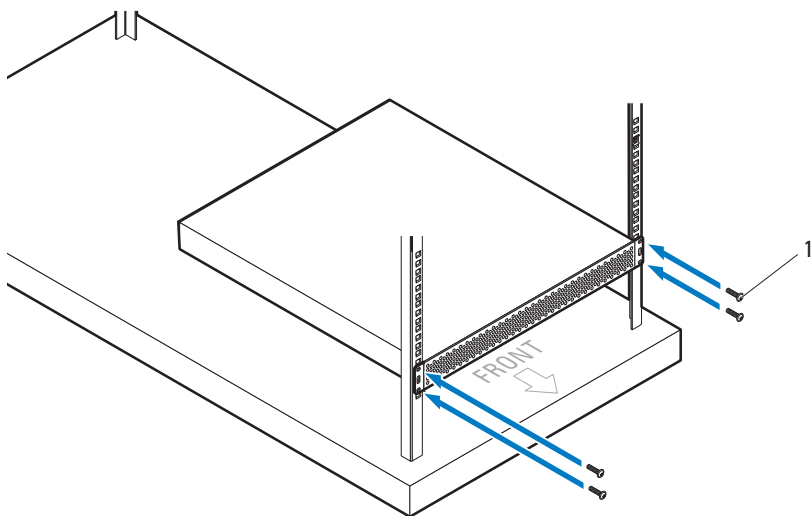
- 4** Befestigen Sie die Montagehalterungen an den Seiten der Stromverteilungseinheit.
- a** Befestigen Sie die zehn Schrauben **1** an der linken und rechten Seite der Stromverteilungseinheit.
 - b** Positionieren Sie die linke Montagehalterung die mit „L“ markiert ist, so dass die Schraubbohrungen mit den Schrauben am Prozessor ausgerichtet sind und schieben Sie die Montagehalterung nach hinten, bis sie hinten an der Stromverteilungseinheit einrastet **2**.
 - c** Positionieren Sie die rechte Montagehalterung die mit „R“ markiert ist, so dass die Schraubbohrungen mit den Schrauben am Prozessor ausgerichtet sind und schieben Sie die Montagehalterung nach hinten, bis sie hinten an der Stromverteilungseinheit einrastet **2**.



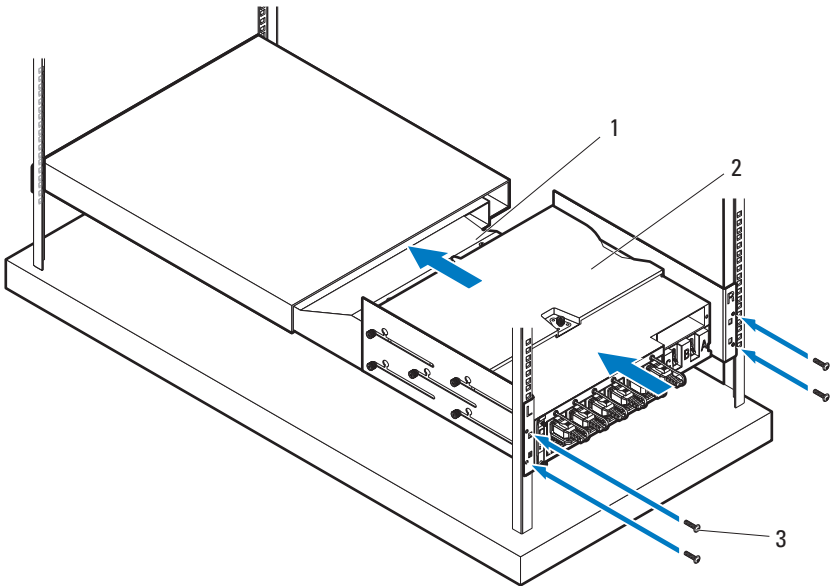
- 5** Installieren Sie den Schnorchel an der Stromverteilungseinheit.
- a** Entfernen Sie den Lüftungskanal vom Schnorchel.
 - b** Richten Sie den Lüftungskanal **1** mit der Vorderseite der Stromverteilungseinheit aus.
 - c** Befestigen Sie den Lüftungskanal mit den zwei Schrauben an der Vorderseite der PDU **2**.



- d Richten Sie den Schnorchel mit den Rackpfosten aus.
- e Befestigen Sie den Schnorchell an der Rack-Stütze mit den vier Schrauben ❶.




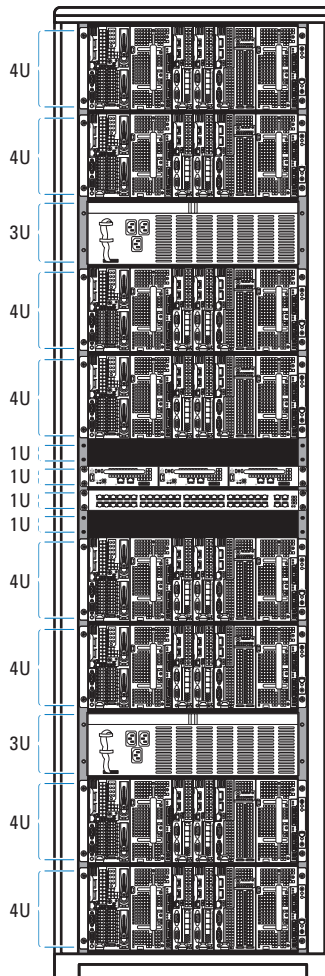
- 6 Schieben Sie den Lüftungskanal ❶ mit Hilfe eines Kollegen in den Schnorchel ein, und befestigen Sie die Rückseite der PDU ❷ mit vier Schrauben an den Rackstützen ❸.



Rack-Konfiguration

Die folgende Abbildung zeigt eine Beispiels-Rack-Konfiguration mit dem PowerEdge C8000-Servergehäusen, PDU (Power Distribution Unit)-Geräten, Switch und Router in einem 42U-Rack.

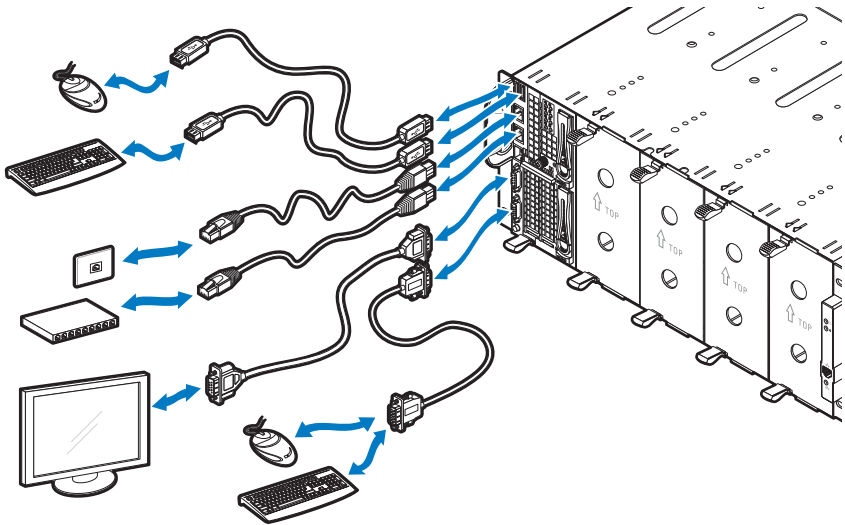
 **ANMERKUNG:** Die Abbildung der Rack-Konfiguration dient nur als Referenz.



Anschließen von Tastatur, Maus und Bildschirm

Schließen Sie eine Tastatur, eine Maus und einen Bildschirm am Rechnerschlitten an (optional).

Die folgende Abbildung zeigt als Beispiel den Anschluss von Tastatur, Maus und Bildschirm an einem C8220X-Rechnerschlitten mit doppelter Baubreite.

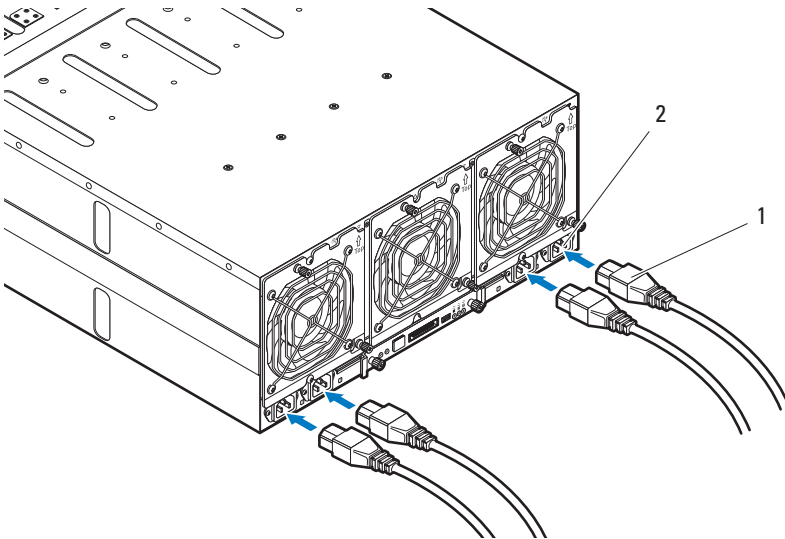


Anschließen der Netzkabel

Dieser Abschnitt enthält Anweisungen zur Verbindung des Stromkabels mit dem Servergehäuse mit einer internen oder externen Stromquelle.

Servergehäuse mit interner Stromquelle

- 1 Auf der Rückseite des Gehäuses stecken Sie die Stromkabel ❶ in die Wechselstrom-Steckdosen ❷.

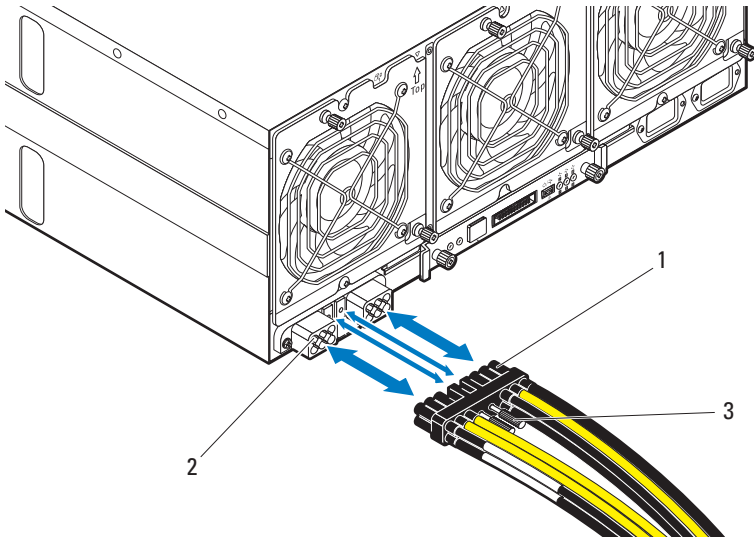


- 2 Verbinden Sie das andere Ende des Stromkabels mit einer geerdeten Steckdose oder einer separaten Spannungsquelle, etwa einer unterbrechungsfreien Stromversorgung oder dem Stromverteiler.

Servergehäuse mit interner Stromquelle

! **WARNUNG:** Stellen Sie sicher, dass die Stromversorgung auf allen Geräten ausgeschaltet ist, bevor Sie die Verbindungen herstellen.

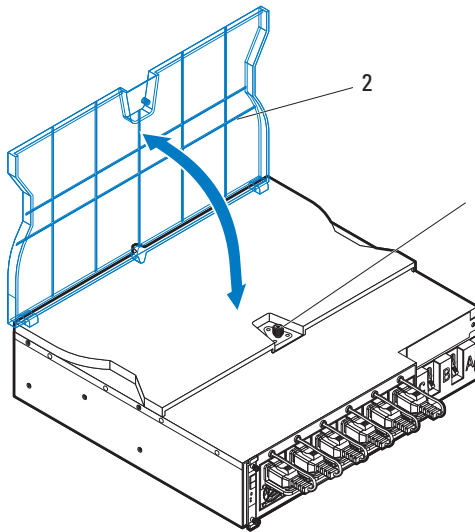
- 1 Auf der Rückseite des Gehäuses stecken Sie das Stromkabel **1** in die Gleichstrom-Steckdose **2**.
- 2 Ziehen Sie die zwei mittleren Schrauben **3** auf dem Kabel an, um die Verbindung zu sichern.



Anschließen des Server-Gehäuses an ein Rack-PDU

⚠️ WARNUNG: Schließen Sie keine Kabel an bzw. trennen Sie die Stromkabel zum PDU-Gerät nicht, während die PDU mit Strom versorgt wird. Schalten Sie die PDU-Unterbrechungsschalter aus, um einen potenziell schweren oder tödlichen Stromschlag zu vermeiden. Schalten Sie die PDU A-, B- und C-Unterbrechungsschalter auf die „AUS“-Stellung.

- 1 Entriegeln Sie die Kabelabdeckung ❶.
- 2 Drehen Sie die Abdeckung ❷ zurück und weg vom Stromverteiler.

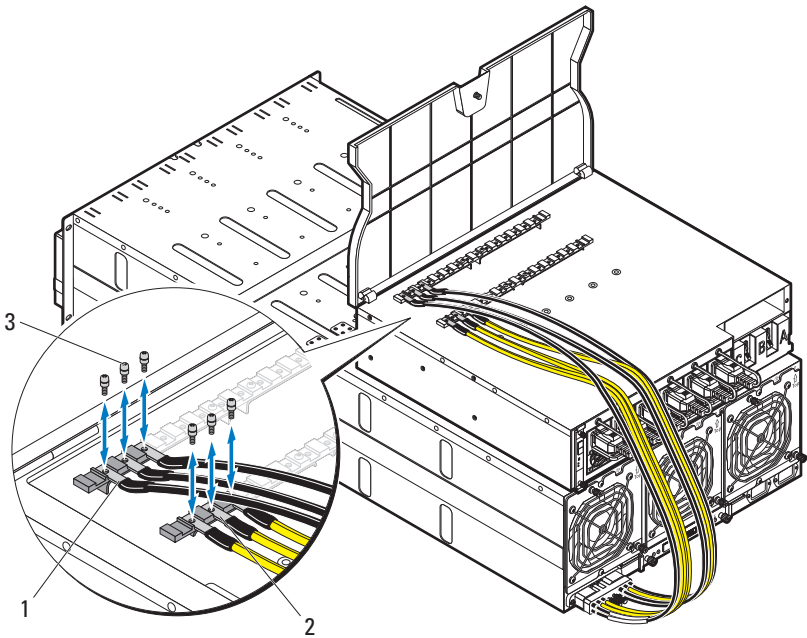


- 3 Schließen Sie die Netzkabel des/der Servergehäuse an die PDU-Strombusleiste.

📌 ANMERKUNG: Das PDU-Gerät unterstützt maximal fünf PowerEdge C8000 Server-Gehäuse, je nach Systemkonfiguration und Strom-Budget.

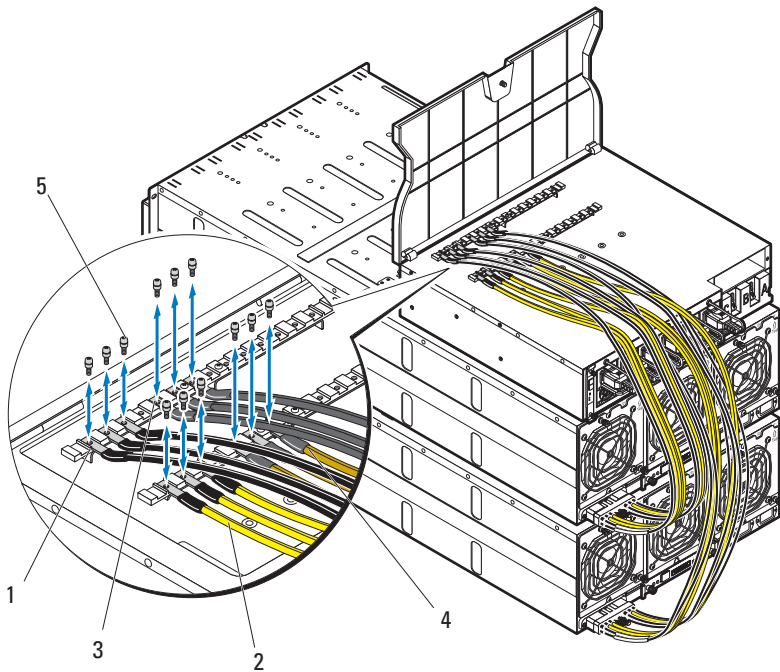
Zum Anschließen eines einzelnen Servers an das PDU:

- a Befestigen Sie die drei schwarzen Stromkabelbügel ❶ mit den drei Schrauben ❸ am oberen Busbügel (GND).
- b Befestigen Sie die drei gelben Stromkabelbügel ❷ mit den drei Schrauben ❹ am unteren Busbügel.



So schließen Sie mehrere Servergehäuse an der PDU an:

- a Befestigen Sie die drei schwarzen Stromkabelbügel **1** des ersten Servergehäuses mit den drei Schrauben **5** am oberen Busbügel (GND).
- b Befestigen Sie die drei gelben Stromkabelbügel **2** des ersten Servergehäuses mit den drei Schrauben **5** am unteren Busbügel.
- c Befestigen Sie die drei schwarzen Stromkabelbügel **3** des zweiten Servergehäuses mit den drei Schrauben **5** am oberen Busbügel (GND).
- d Befestigen Sie die drei gelben Stromkabelbügel **4** des zweiten Servergehäuses mit den drei Schrauben **5** am unteren Busbügel.

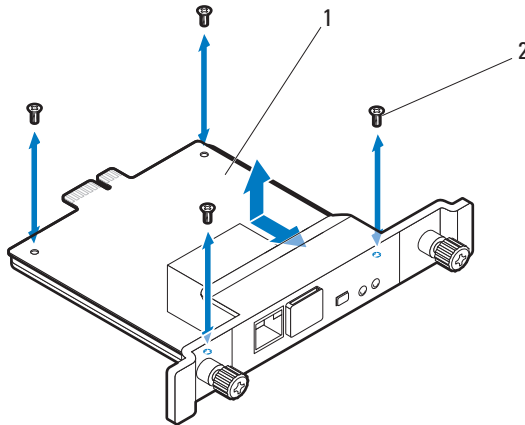


ANMERKUNG: Stellen Sie sicher, dass alle Kabel ordnungsgemäß und sicher an die PDU-Strombusleiste angeschlossen sind.

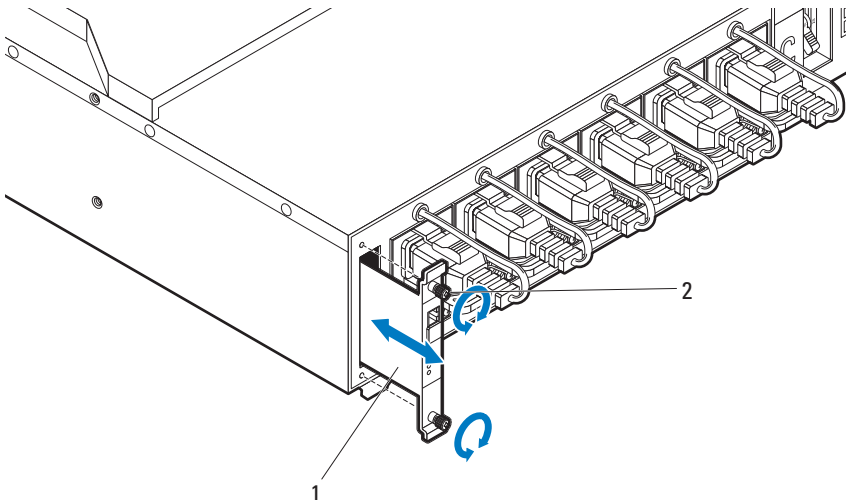
- 4 Schließen Sie die Kabelabdeckung und befestigen Sie sie an den PDU.

Den Stromverteiler (PDU) mit dem Netzwerk verbinden

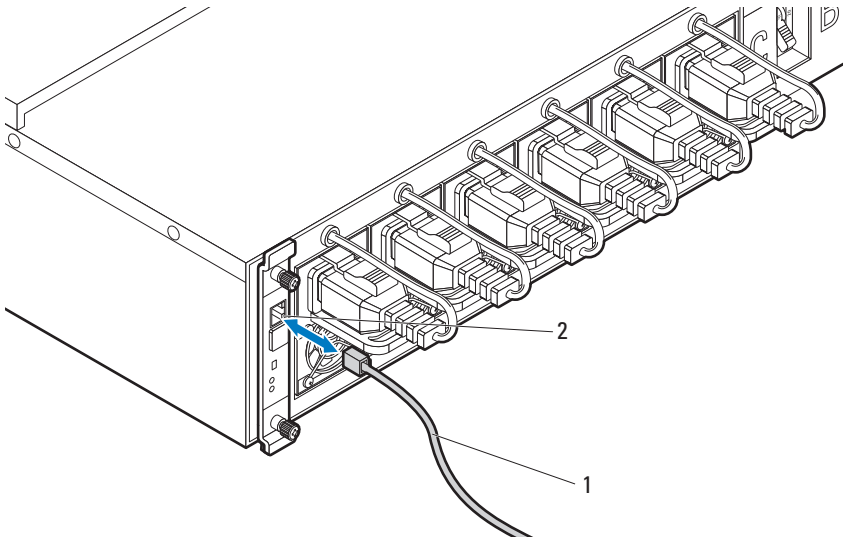
- 1 Installieren Sie den Energieverwaltungscontroller (PMC) in die Stromverteiler (PDU) und verbinden Sie ihn mit dem Netzwerk.
 - a Befestigen Sie die PMC-Platine ❶ mit den vier Schrauben am PMC-Auflagefach ❷.



- b Setzen Sie die PMC-Baugruppe ❶ in das PDU ein und befestigen Sie sie mit den zwei Rändelschrauben ❷.



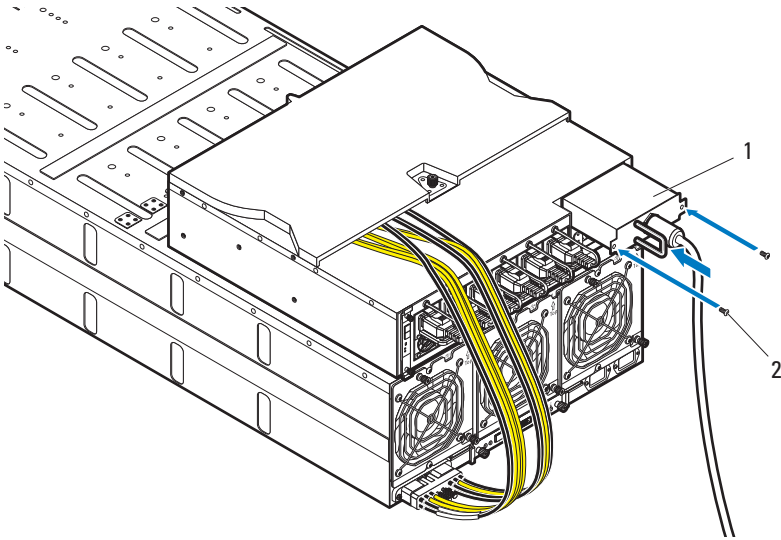
- c Schließen Sie das Netzkabel an den **1** NIC-Port **1** **2**.



Einschalten des Systems

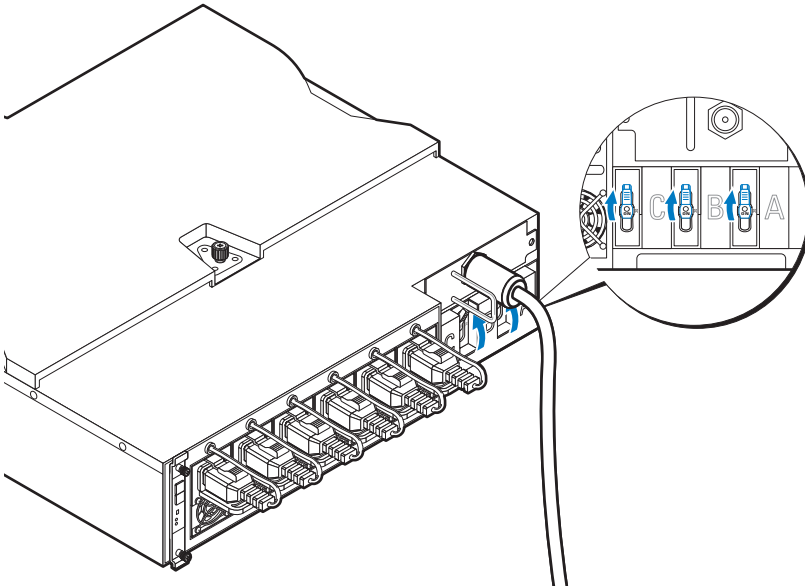
Einschalten des PDU

- 1 Installieren Sie das PCIB-Modul in den PDU.
 - a Setzen Sie das PCIB-Modul in den PCIB-Schacht ❶.
 - b Befestigen Sie das PCIB-Modul mit den zwei Schrauben ❷ am PDU.




- 2 Schließen Sie den PDU an der Stromquelle an.

- Schalten Sie die PDU-Unterbrechungsschalter an, indem Sie die A-, B- und C-Unterbrechungsschalter auf die „AN“-Stellung umschalten.



- Um die Überwachung des PDU-Geräts über das Netzwerk zu aktivieren, schalten Sie die PMC-Platine durch Drücken des Netzschalters auf der PMC-Systemplatine ein. Wenn die PDU mit Strom versehen wird, leuchtet die Strom-/Statusanzeige auf der Vorderseite der PMC-Systemplatine grün.

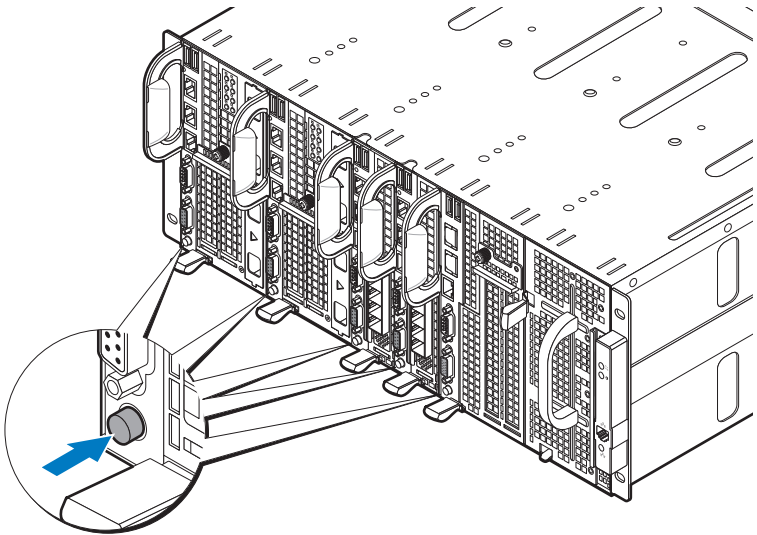
 **ANMERKUNG:** Die Abbildungen der PMC-Platine und des PDU-Geräts in diesem Dokument dienen nur zu Referenzzwecken. Weitere Informationen über das PDU-Gerät finden Sie in der Dokumentation zum PDU-Gerät.

Einschalten des Servergehäuses

Wenn das System an eine Stromquelle angeschlossen ist, wird der Hauptstrom automatisch dem Servergehäuse zugeteilt. Nach dem Einschalten des Servergehäuses leuchtet die Betriebs-/Ereignisanzeige auf der Gehäusevorderseite grün auf und der Hauptstrom wird für alle Schlitze im Gehäuse verwendet.

Einschalten der Schlitten

Zum Einschalten des Rechnerschlittens C8220 oder C8220X drücken Sie am jeweiligen Schlitten den Netzschalter oder schalten Sie den Schlitten über den Baseboard-Management-Controller ein. Wenn Strom am Schlitten anliegt, leuchtet die Betriebsanzeige auf der Vorderseite des Schlittens grün auf. Nach der Installation im Servergehäuse wird der C8000XD-Speicherschlitten automatisch eingeschaltet. Weitere Hinweise finden Sie im Using the Baseboard Management Controller Guide (Handbuch für die Verwendung des Baseboard Management Controllers) unter support.dell.com/manuals.



Abschließen des Betriebssystem-Setups

Weitere Hinweise zur erstmaligen Installation des Betriebssystems finden Sie in der Dokumentation zur Installation und Konfiguration des Betriebssystems. Das Betriebssystem muss installiert sein, bevor Sie andere, nicht zusammen mit dem System erworbene Hardware oder Software installieren.

Unterstützte Betriebssysteme

- Citrix XenServer Enterprise Edition 5.6
- Citrix XenServer Enterprise Edition 6.1
- Microsoft Windows Server 2008 Enterprise Edition Release 2 (64-Bit)
- Microsoft Windows Server 2012
- Microsoft Windows HPC 2008 Release 2
- Microsoft Hyper-V
- Red Hat Enterprise Linux 6.1 (64-Bit)
- Red Hat Enterprise Linux 6.3 64-Bit
- SUSE Linux Enterprise Server 11 SP1 (64-Bit)
- Ubuntu 12.04.1 LTS 64-Bit
- VMware ESXi 5.0
- VMware ESXi 5.0 U1
- VMware ESXi 5.0 U2
- VMware ESX 5.1
- VMware ESXi 5.1 U1



ANMERKUNG: Aktuelle Informationen zu den unterstützten Betriebssystemen erhalten Sie unter dell.com/ossupport.

Weitere nützliche Informationen



WARNUNG: Beachten Sie die Sicherheits- und Betriebsbestimmungen, die mit dem Computer geliefert wurden. Garantiebestimmungen können als separates Dokument beigelegt sein.

- Im PowerEdge C8000 Hardware Owner's Manual (PowerEdge C8000 Hardware-Benutzerhandbuch) finden Sie Informationen über die Funktionen des Servergehäuses, die Fehlerbehebung und den Austausch von Komponenten. Dieses Dokument ist unter dell.com/support/manuals verfügbar
- Im PowerEdge C8220 Hardware Owner's Manual (PowerEdge C8220 Hardware-Benutzerhandbuch) finden Sie Informationen über Systemfunktionen, Fehlerbehebung und den Austausch von Komponenten. Dieses Dokument ist unter dell.com/support/manuals verfügbar.
- Im PowerEdge C8220X Hardware Owner's Manual (PowerEdge C8220X Hardware-Benutzerhandbuch) finden Sie Informationen über Systemfunktionen, Fehlerbehebung und den Austausch von Komponenten. Dieses Dokument ist unter dell.com/support/manuals verfügbar.
- Im PowerEdge C8000XD Hardware Owner's Manual (PowerEdge C8000XD Hardware-Benutzerhandbuch) finden Sie Informationen über Systemfunktionen, Fehlerbehebung und den Austausch von Komponenten. Dieses Dokument ist unter dell.com/support/manuals verfügbar.
- Das Baseboard Management Controller-Handbuch enthält Informationen über das Installieren und Verwenden des Dienstprogramms für die Systemverwaltung. Dieses Dokument ist unter dell.com/support/manuals verfügbar.



ANMERKUNG: Wenn aktualisierte Dokumente vorliegen, lesen Sie diese immer zuerst, denn frühere Informationen werden damit gegebenenfalls ungültig.

NOM-Informationen

PowerEdge C8000

Die folgenden Informationen beziehen sich auf die in diesem Dokument beschriebenen Geräte und gründen auf der mexikanischen Norm NOM:

Importeur:	Dell Inc. de México, S.A. de C.V. Paseo de la Reforma 2620-11° Piso Col. Lomas Altas 11950 México, D.F.
Modellnummer:	B10S
Netzspannung:	200 – 240 V Wechselstrom (mit vier 1400-W-Wechselstrom-Netzteilen) oder 12 V Gleichstrom (mit externem Stromverteiler)
Netzfrequenz:	50 - 60 Hz
Stromaufnahme:	9 A (x4) (mit vier 1400-W-Wechselstrom-Netzteilen) oder 480 A (mit externem Stromverteiler)

PowerEdge C8220

Die folgenden Informationen beziehen sich auf die in diesem Dokument beschriebenen Geräte und gründen auf der mexikanischen Norm NOM:

Importeur:	Dell Inc. de México, S.A. de C.V. Paseo de la Reforma 2620-11° Piso Col. Lomas Altas 11950 México, D.F.
Modellnummer:	B05B
Netzspannung:	12 V Gleichstrom
Stromaufnahme:	42 A

PowerEdge C8220X

Die folgenden Informationen beziehen sich auf die in diesem Dokument beschriebenen Geräte und gründen auf der mexikanischen Norm NOM:

Importeur:	Dell Inc. de México, S.A. de C.V. Paseo de la Reforma 2620-11° Piso Col. Lomas Altas 11950 México, D.F.
Modellnummer:	B06B
Netzspannung:	12 V Gleichstrom
Stromaufnahme:	92 A

PowerEdge C8000XD

Die folgenden Informationen beziehen sich auf die in diesem Dokument beschriebenen Geräte und gründen auf der mexikanischen Norm NOM:

Importeur:	Dell Inc. de México, S.A. de C.V. Paseo de la Reforma 2620-11° Piso Col. Lomas Altas 11950 México, D.F.
Modellnummer:	B06B
Netzspannung:	12 V Gleichstrom
Stromaufnahme:	30 A

Technische Daten

Spezifikationen für Rechnerschlitten (je Schlitten)

Prozessor

Prozessortyp	Zwei Intel Xeon-Prozessoren der Reihe E5
Prozessorsockel	Zwei LGA 2011

System-Chipsatz

Platform-Controller-Hub	Intel X79
Netzwerkcontroller	Intel i350-BT2
Grafik-Controller	Aspeed AST2300

Speicher

Speichertyp	DDR3-UDIMM, -RDIMM, -LRDIMM
Speichermodulesockel	16 DIMM-Sockel
Kapazität der Speichermodule	RDIMMs mit 2 GB, 4 GB, 8 GB, 16 GB und 32 GB
RAM (Minimum)	512 MB UDIMM; 1 GB RDIMM
RAM (Maximum)	128 GB UDIMMs; 256 GB RDIMMs
Anzahl der Speicherkanäle (je VPU)	4 Kanäle

Speichergerät

PowerEdge C8220-Rechnerschlitten mit einfacher Baubreite	<ul style="list-style-type: none">• 3-Gb/s-SATA-Anschluss x 4• 6-Gb/s-SATA-Anschluss x 2• 2,5-Zoll-SATA HDDs x 2
PowerEdge C8220X-Rechnerschlitten mit doppelter Baubreite	<ul style="list-style-type: none">• 3-Gb/s-SATA-Anschluss x 4• 6-Gb/s-SATA-Anschluss x 2• 2,5-Zoll-SATA HDDs x 2• 2,5-Zoll-SAS/SATA HDDs x 8 oder 3,5-Zoll-SAS/SATA HDDs x 4• 2,5-Zoll-Hot-Plug-SAS/SATA-Festplatten (HDDs) x 2 (PowerEdge C8220X mit vorderseitig zugänglichen 2,5-Zoll-Hot-Plug-Laufwerken)

Spezifikationen für Rechnerschlitten (je Schlitten) (fortgesetzt)

Grafikkarte

PowerEdge C8220X-Rechnerschlitten mit doppelter Baubreite	PowerEdge C8220X mit GPGPU/MIC <ul style="list-style-type: none">• NVIDIA Tesla M2090• NVIDIA Tesla K20• Intel Xeon Phi 5110P
---	---

Erweiterungssteckplätze

PowerEdge C8220-Rechnerschlitten mit einfacher Baubreite	<ul style="list-style-type: none">• Ein x 16 PCI-Express 2.0 Steckplatz• Ein x8-Zusatzkarten-Steckplatz
PowerEdge C8220X-Rechnerschlitten mit doppelter Baubreite	<ul style="list-style-type: none">• Zwei x8 PCI-Express-3.0-Steckplätze (x16-Anschlusstyp)• Ein x8-Zusatzkarten-Steckplatz
PowerEdge C8220X mit GPGPU/MIC mit doppelter Breite Rechnerschlitten	<ul style="list-style-type: none">• Ein x16 PCI-Express-3.0-Steckplatz über einen einzigen-Riser• Ein x16 PCI-Express-3.0-Steckplatz über ein Kabel• Ein x8-Zusatzkarten-Steckplatz

Schnittstellen

BMC-Verwaltungsschnittstelle	1 vorne
NIC	Zwei 1-Gbit-NIC-Ports
Seriell	1 vorne
VGA	1 vorne
USB	2 vorne
UID-LED	1 vorne

Strom

Batterien

Systembatterie	CR 2032, Lithium-Knopfzelle (3,0 V)
RAID-Akku (optional)	3,7-V-Lithium-Ionen-Akku

Spezifikationen für Speicherschlitten (je Schlitten)

Konfiguration der Festplattenschlitten

Dual-Port-Modus (redundant)	Standardträger
Single-Port-Modus (nicht-redundant)	<ul style="list-style-type: none">• Standardträger• Flexibler Träger• Erweiterungsträger
Erweiterungs-Modus (Non-Zoning/ zwei Zonen/vier Zonen)	Erweiterungsträger

Speichergerät

Standardträger	3,5-Zoll-SAS/SATA/SSD HDD x 12
Flexibler Träger	2,5-Zoll-SAS/SATA/SSD HDD x 12
Erweiterungsträger	2,5-Zoll-SSD HDD x 24

Schnittstelle

Mini-SAS	4 vorne
----------	---------

Spezifikationen für Stromversorgungsschlitten (je Schlitten)

Schnittstellen

LED für Stromversorgung	2 vorne
Stromanschluss	2 Gleichstromanschlüsse (12 V und Masse)

Netzteilmodul (je Netzteil)

Leistung	1400 W
Anschluss	IEC C20
Spannung	200 – 240 V Wechselstrom, 50 – 60 Hz, max. 9 A
Wärmeabgabe	1205 BTU/h maximal
Maximaler Einschaltstrom	Unter typischen Leitungsbedingungen und über den gesamten Umgebungsbereich des Systems kann der Einschaltstrom pro Netzteil (über einen Zeitraum von 10 ms oder weniger) 25 A erreichen.

Spezifikationen für das Servergehäuse

Abmessungen und Gewicht

Höhe	17,5 cm (6,9 Zoll)
Breite	44,7 cm (17,6 Zoll)
Tiefe	81,3 cm (32,0 Zoll)
Gewicht (leer)	17,93 kg (39,53 lbs)

Unterstützung für Schlitten

Servergehäuse mit interner Stromquelle	<ul style="list-style-type: none">• Bis zu acht PowerEdge C8220-Rechnerschlitten mit einfacher Baubreite• Bis zu vier PowerEdge C8220X-Rechnerschlitten mit doppelter Baubreite• Bis zu 4 C8000XD-Speicherschlitten• Bis zu zwei Stromversorgungsschlitten
Servergehäuse mit externem Stromverteiler	<ul style="list-style-type: none">• Bis zu zehn PowerEdge C8220-Rechnerschlitten mit einfacher Baubreite• Bis zu fünf PowerEdge C8220X-Rechnerschlitten mit doppelter Baubreite• Bis zu 5 C8000XD-Speicherschlitten

Schnittstellen

NIC	Zwei 10/100M-NIC-Anschlüsse (1 vorne, 1 hinten)
Seriell	1 hinten
Betriebs-/Ereignis-LED	2 (1 vorne, 1 hinten)
UID-LED	2 (1 vorne, 1 hinten)
LED für Ethernet-Aktivität	1 vorne
Temperatursensor	1 vorne
LED für Ausfall des Systemlüftermoduls	3 hinten

Systemlüfter

Lüftertyp	3 Lüftermodule (2 Lüfter je Modul/ insgesamt 6)
-----------	---

Strom

Gleichstrom-Netzteil

Spannung

mit externem Stromverteiler	12 V Gleichstrom, 50 – 60 Hz, 680 A (max.) mit 6 Netzteileneinheiten bestückt
-----------------------------	---

Umgebungsbedingungen

ANMERKUNG: Weitere Informationen zu Umgebungsbedingungen für bestimmte Systemkonfigurationen finden Sie unter www.dell.com/environmental_datasheets.

Temperatur

Betrieb	10 °C bis 35 °C (50 °F bis 95 °F) mit einer maximalen Temperaturänderung von 10 °C pro Stunde
Lagerung	-40 °C bis 65 °C (40 °F bis 149 °F) mit einer maximalen Temperaturänderung von 20 °C pro Stunde

Relative Luftfeuchtigkeit

Betrieb	20% bis 80% (nicht-kondensierend) mit einem Anstieg der Luftfeuchtigkeit von 10 % pro Stunde
Lagerung	5 % bis 95 % (nicht kondensierend)

Zulässige Erschütterung

Betrieb	0,26 g (eff.) bei 5 – 350 Hz
Lagerung	1,87 g (eff.) bei 10 - 500 Hz, 15 Min. lang

Zulässige Stoßeinwirkung

Betrieb	Ein Stoß von 31 g in positiver Z-Richtung (ein Stoß auf jeder Seite des Systems) über einen Zeitraum von 2,6 ms in der Betriebsausrichtung.
Lagerung	Sechs nacheinander ausgeführte Stöße mit 71 g von bis zu 2 ms Dauer in positiver und negativer X-, Y- und Z-Richtung (ein Stoß auf jeder Seite des Systems); Sechs nacheinander ausgeführte Stöße mit 27 g (geglätteter Rechteckpuls) mit einer Geschwindigkeitsänderung von bis zu 597 cm/s (235 Zoll/s) in positiver und negativer X-, Y- und Z-Richtung (ein Stoß auf jeder Seite des Systems)

Umgebungsbedingungen *(fortgesetzt)*

Höhe über NN

Betrieb

-16 bis 3.048 m (-50 bis 10.000 Fuß)

ANMERKUNG: Bei Höhen über 2.950 Fuß verringert sich die maximale Betriebstemperatur um 1 °F je 550 Fuß.

Lagerung

-16 bis 10.600 m (-50 bis 35.000 Fuß)

Luftverschmutzungsstufe

Klasse

G1 gemäß ISA-S71.04-1985

Dell PowerEdge
C8000, C8220, C8220X,
και C8000XD

Τα πρώτα βήματα
με το σύστημά σας

Μοντέλο κατά τους κανονισμούς:
B10S, B05B, και B06B

Τύπος κατά τους κανονισμούς:
B10S001, B05B001, B06B001, B06B002



Σημείωση, προσοχή και προειδοποίηση



ΣΗΜΕΙΩΣΗ: Η ΣΗΜΕΙΩΣΗ αφορά σημαντικές πληροφορίες που σας βοηθούν να χρησιμοποιείτε καλύτερα τον υπολογιστή σας.



ΠΡΟΣΟΧΗ: Η ΠΡΟΣΟΧΗ υποδηλώνει δυνητική υλική ζημιά στο υλικό ή απώλεια δεδομένων, αν δεν ακολουθηθούν οι οδηγίες.



ΠΡΟΕΙΔΟΠΟΙΗΣΗ: Η ΠΡΟΕΙΔΟΠΟΙΗΣΗ υποδεικνύει πιθανή υλική ζημιά, σωματική βλάβη ή θάνατο.

Οι πληροφορίες αυτής της δημοσίευσης υπόκεινται σε αλλαγές χωρίς ειδοποίηση.
© 2013 Dell Inc. Με επιφύλαξη όλων των δικαιωμάτων.

Απαγορεύεται αυστηρά η αναπαραγωγή αυτών των υλικών με οποιονδήποτε τρόπο χωρίς την έγγραφη άδεια της Dell Inc.

Εμπορικά σήματα που χρησιμοποιούνται σε αυτό το κείμενο: Η ονομασία Dell™, το λογότυπο DELL, οι ονομασίες Dell Precision™, OptiPlex™, Latitude™, PowerEdge™, PowerVault™, PowerConnect™, OpenManage™, EqualLogic™, KACE™, FlexAddress™ και Vostro™ είναι εμπορικά σήματα της Dell Inc. Οι ονομασίες Intel®, Pentium®, Xeon®, Core™, Celeron® και Xeon Phi™ είναι σήματα κατατεθέντα της Intel Corporation στις Η.Π.Α. και σε άλλες χώρες. Οι ονομασίες Microsoft®, Windows®, Windows Server®, MS-DOS® και Windows Vista® είναι εμπορικά σήματα ή σήματα κατατεθέντα της Microsoft Corporation στις Ηνωμένες Πολιτείες ή/και σε άλλες χώρες. Οι ονομασίες Red Hat® και Red Hat® Enterprise Linux® είναι σήματα κατατεθέντα της Red Hat Inc. στις Ηνωμένες Πολιτείες ή/και σε άλλες χώρες. Η ονομασία Novell® είναι σήμα κατατεθέν και η ονομασία SUSE™ είναι εμπορικό σήμα της Novell Inc. στις Ηνωμένες Πολιτείες και σε άλλες χώρες. Η ονομασία Oracle® είναι σήμα κατατεθέν της Oracle Corporation ή/και των θυγατρικών της. Οι ονομασίες Citrix®, Xen®, XenServer® και XenMotion® είναι σήματα κατατεθέντα ή εμπορικά σήματα της Citrix System, Inc. στις Ηνωμένες πολιτείες ή/και άλλες χώρες. Οι ονομασίες VMware®, Virtual SMP®, vMotion®, vCenter® και vSphere® είναι σήματα κατατεθέντα ή εμπορικά σήματα της VMWare, Inc. στις Ηνωμένες Πολιτείες ή σε άλλες χώρες. Οι ονομασίες NVIDIA και Tesla™ είναι εμπορικά σήματα ή/και σήματα κατατεθέντα της NVIDIA Corporation. Η ονομασία Ubuntu είναι σήμα κατατεθέν της Canonical Ltd.

Άλλα εμπορικά σήματα και εμπορικές ονομασίες μπορεί να χρησιμοποιούνται στην παρούσα έκδοση αναφερόμενα είτε στους κατόχους των σημάτων και των ονομάτων είτε στα προϊόντα τους. Η Dell Inc. παραιτείται από κάθε δικαίωμα σε εμπορικά σήματα και εμπορικές ονομασίες τρίτων.

Μοντέλο κατά τους κανονισμούς: B10S, B05B, και B06B

Τύπος κατά τους κανονισμούς: B10S001, B05B001, B06B001, B06B002

2013 - 07 A/Π NJK8N Αναθ. A04

ΠΡΟΣΟΧΗ: Τοποθεσία περιορισμένης πρόσβασης

Αυτός ο διακομιστής προορίζεται για εγκατάσταση μόνο σε τοποθεσίες περιορισμένης πρόσβασης, όπου ισχύουν και οι δύο παρακάτω συνθήκες:

- Πρόσβαση μπορεί να έχει μόνο το προσωπικό υποστήριξης ή οι χρήστες οι οποίοι έχουν λάβει ειδική εκπαίδευση σχετικά με τους λόγους εφαρμογής των περιορισμών στην τοποθεσία και τις τυχόν προφυλάξεις που πρέπει να λαμβάνονται.
- Η πρόσβαση παρέχεται μέσω της χρήσης ενός εργαλείου ή κλειδαριάς και κλειδιού ή μέσω άλλων μέσων ασφαλείας και ελέγχεται από την αρχή που είναι υπεύθυνη για την τοποθεσία.

Εγκατάσταση και διαμόρφωση

ΠΡΟΕΙΔΟΠΟΙΗΣΗ: Πριν εκτελέσετε την παρακάτω διαδικασία, συμβουλευθείτε τις οδηγίες ασφαλείας που συνοδεύουν το σύστημά σας.


Το πλαίσιο του διακομιστή PowerEdge C8000 είναι ένα εύκαμπτο και προσαρμόσιμο πλαίσιο 4U που μπορεί να τοποθετηθεί σε rack. Ο διακομιστής PowerEdge C8000 διαθέτει δέκα, κατακόρυφα ευθυγραμμισμένες υποδοχές για sled, που υποστηρίζουν πλαίσιο full sled ή mixed sled. Ένα πλαίσιο full sled μπορεί να περιλαμβάνει έως και πέντε υπολογιστικά sled C8220X διπλού πλάτους, δέκα υπολογιστικά sled C8220 μονού πλάτους ή πέντε sled αποθήκευσης C8000XD. Ένα πλαίσιο mixed sled μπορεί να υποστηρίξει πολλούς διαφορετικούς τύπους sled.


Προτεινόμενα εργαλεία

Πριν ξεκινήσετε τις εργασίες εγκατάστασης, βεβαιωθείτε ότι έχετε τα παρακάτω εργαλεία:

- Κατσαβίδι Phillips #1
- Κατσαβίδι Phillips #2
- Μεταλλικό περικόρπιο γείωσης συνδεδεμένο με τη γείωση
- Αντιστατικό υπόθεμα ή αντιστατικό αφρό


Άνοιγμα της συσκευασίας του συστήματος


 **ΠΡΟΕΙΔΟΠΟΙΗΣΗ:** Όποτε χρειαστεί να σηκώσετε το σύστημα, ζητήστε από άλλους να σας βοηθήσουν. Για να αποφύγετε τραυματισμούς, μην επιχειρήσετε να σηκώσετε μόνοι σας το σύστημα.


 **ΠΡΟΣΟΧΗ:** Φοράτε ένα μεταλλικό περικάρπιο γείωσης όταν χειρίζεστε εξαρτήματα του συστήματος.


- 1 Προετοιμάστε ένα αντιστατικό υπόθεμα ή αντιστατικό αφρό όπου θα τοποθετήσετε το πλαίσιο του διακομιστή PowerEdge C8000.
- 2 Αφαιρέστε το πλαίσιο από τη συσκευασία και τοποθετήστε το σε ένα αντιστατικό υπόθεμα ή αντιστατικό αφρό.
- 3 Φυλάξτε τα χαρτοκιβώτια για μελλοντική χρήση.


Εγκατάσταση της λύσης με ράγα χωρίς εργαλεία

 **ΠΡΟΕΙΔΟΠΟΙΗΣΗ:** Όποτε χρειαστεί να σηκώσετε το σύστημα, ζητήστε από άλλους να σας βοηθήσουν. Για να αποφύγετε τραυματισμούς, μην επιχειρήσετε να σηκώσετε μόνοι σας το σύστημα.

 **ΠΡΟΕΙΔΟΠΟΙΗΣΗ:** Το σύστημα δεν είναι σταθεροποιημένο στο rack ή στερεωμένο στις ράγες. Για την αποφυγή ατομικού τραυματισμού ή ζημιάς στο σύστημα, θα πρέπει να στηρίζετε επαρκώς το σύστημα rack κατά την εγκατάσταση και την αφαίρεση.

 **ΠΡΟΕΙΔΟΠΟΙΗΣΗ:** Για να αποφύγετε πιθανό κίνδυνο ηλεκτροπληξίας απαιτείται ένας αγωγός γείωσης ασφαλείας μέσω ενός τρίτου καλωδίου για την εγκατάσταση του rack. Ο εξοπλισμός rack θα πρέπει να παρέχει επαρκή ροή αέρα στο σύστημα για τη διασφάλιση της σωστής ψύξης.

 **ΠΡΟΣΟΧΗ:** Οι σφήνες ράγας πρέπει να είναι ευθυγραμμισμένες με του στύλους του rack ώστε η εγκατάσταση να γίνει σωστά.

 **ΣΗΜΕΙΩΣΗ:** Οι ράγες του rack είναι σημειωμένες LEFT (αριστερά) και RIGHT (δεξιά). Η ράγα με τη σήμανση «LEFT» συνδέεται στους αριστερούς στύλους του rack και η ράγα με τη σήμανση «RIGHT» συνδέεται στους δεξιούς στύλους του rack κοιτώντας την μπροστινή πλευρά του rack.

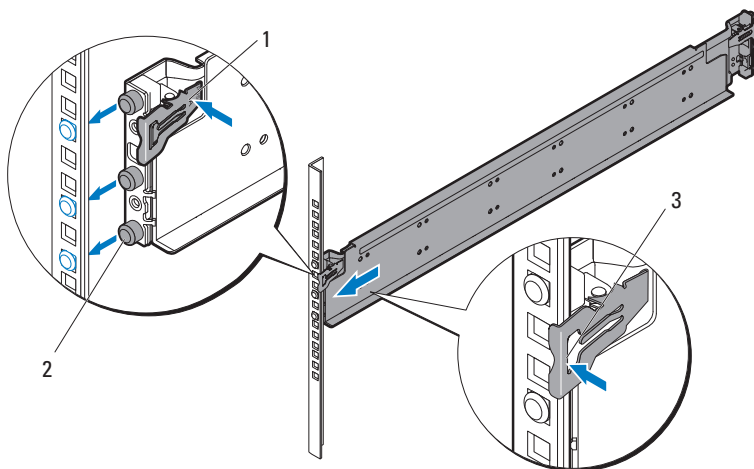
- 1 Προσδιορίστε πού θα τοποθετήσετε τους οδηγούς στο rack. Βεβαιωθείτε ότι υπάρχει αρκετός χώρος στο rack για πλαίσιο 4U. Σε ένα τυπικό rack, το ύψος για ένα πλαίσιο 4U θα περιλαμβάνει 12 οπές στύλου rack.
- 2 Χρησιμοποιήστε το σημάδι στην αριστερή και δεξιά πλευρά της ράγας για να την προσανατολίσετε σωστά στους στύλους του rack.
- 3 Συνδέστε την αριστερή ράγα και το βραχίονα στοπ στο rack.
 - a Τοποθετήστε την αριστερή ράγα με τη σήμανση "LEFT" ώστε να ευθυγραμμιστεί με τις οπές στερέωσης της στους στύλους του rack.
 - b Πατήστε και κρατήστε πατημένο το κουμπί απελευθέρωσης ράγας ❶ για να ανοίξει το μάνδαλο στο μπροστινό άκρο της αριστερής ράγας.
 - c Ευθυγραμμίστε τις τρεις προεξοχές ❷ με τις οπές στερέωσης στον μπροστινό στύλο του rack.
 - d Αφήστε το κουμπί ❸ αφού ασφαλίσει στον μπροστινό στύλο του rack.



ΣΗΜΕΙΩΣΗ: Βεβαιωθείτε ότι το κουμπί απελευθέρωσης ράγας έχει εμπλακεί σωστά.

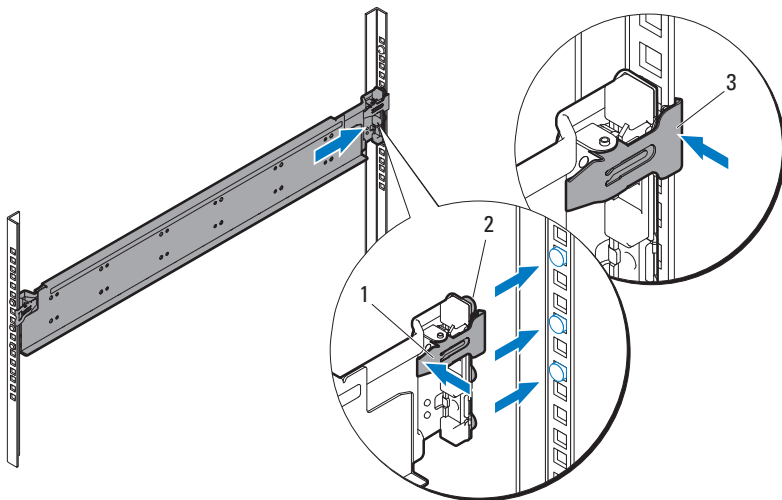


ΣΗΜΕΙΩΣΗ: Οι ράγες μπορούν να χρησιμοποιηθούν τόσο σε rack με τετράγωνη, όσο και με στρόγγυλη σπή.

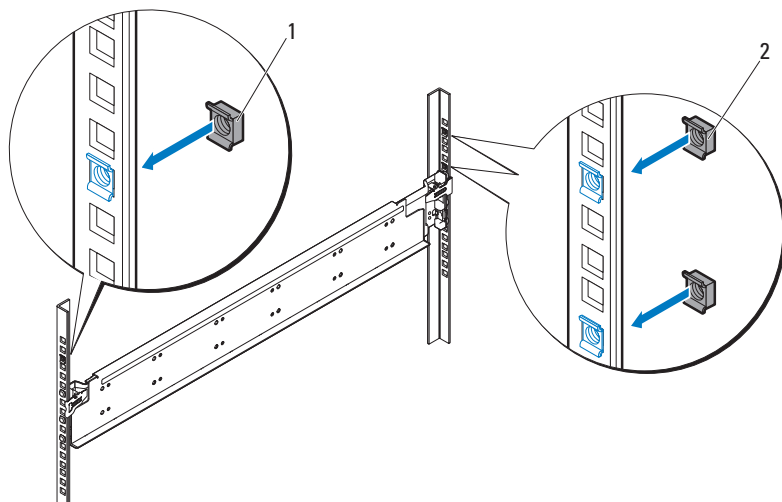


- e Πατήστε και κρατήστε πατημένο το κουμπί απελευθέρωσης ράγας ❶ για να ανοίξει το μάνδαλο στο πίσω άκρο της ράγας.
- f Ευθυγραμμίστε τις τρεις προεξοχές ❷ με τις οπές στερέωσης στον πίσω στύλο του rack.

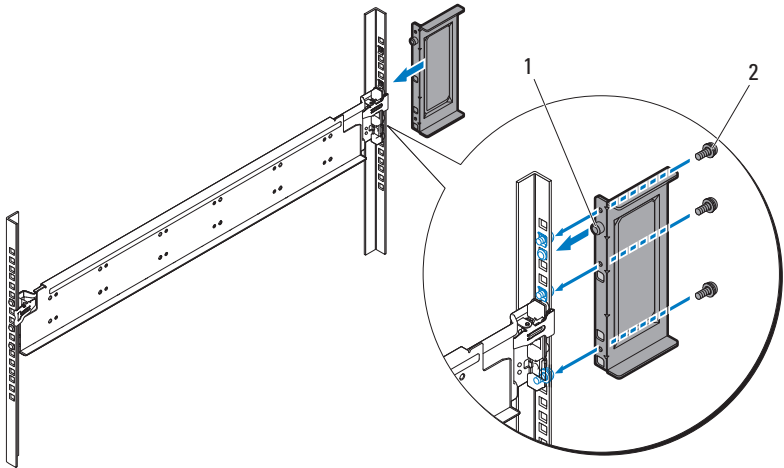
g Αφήστε το κουμπί ③ αφού ασφαλίσει στον πίσω στύλο του rack.



h Τοποθετήστε ένα ειδικό παξιμάδι ① στον μπροστινό στύλο του rack και δύο ειδικά παξιμάδια ② στον πίσω στύλο του rack.



- i Ευθυγραμμίστε το βραχίονα στο **1** στον πίσω στύλο του rack και ασφαλίστε με τρεις βίδες 10-32 **2**. Εφαρμόστε 35 in-lbs ροπής στις βίδες.



- 4** Συνδέστε τη δεξιά ράγα και το βραχίονα στο rack.

Ακολουθήστε την ίδια διαδικασία για να εγκαταστήσετε τη δεξιά ράγα και το βραχίονα στο στους δεξιούς στύλους του rack.



ΣΗΜΕΙΩΣΗ: Για να αφαιρέσετε τις ράγες, πατήστε και κρατήστε πατημένο το κουμπί απελευθέρωσης ράγας στο μεσαίο σημείο του ακραίου τεμαχίου και βγάλτε κάθε ράγα από την έδρα της.

Εγκατάσταση του συστήματος

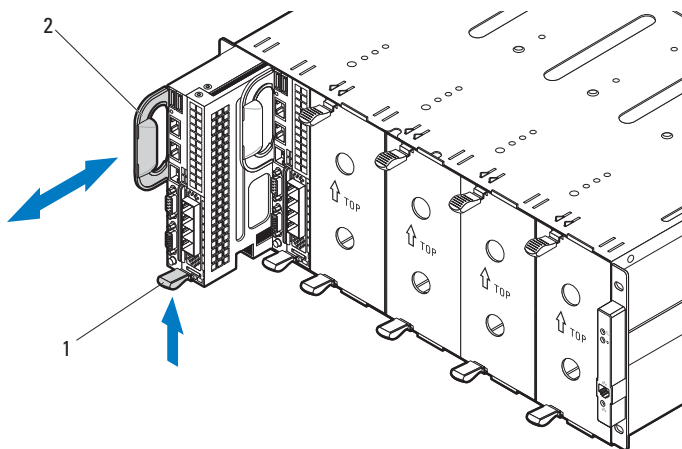
Η ενότητα αυτή περιλαμβάνει τις παρακάτω υποενότητες:

- Εκκένωση του συστήματος
- Εγκατάσταση του συστήματος σε rack
- Αρίθμηση υποδοχών sled
- Συμπλήρωση του συστήματος
- Εγκατάσταση εξωτερικής μονάδας PDU στο rack
- Συνδεσμολογία rack

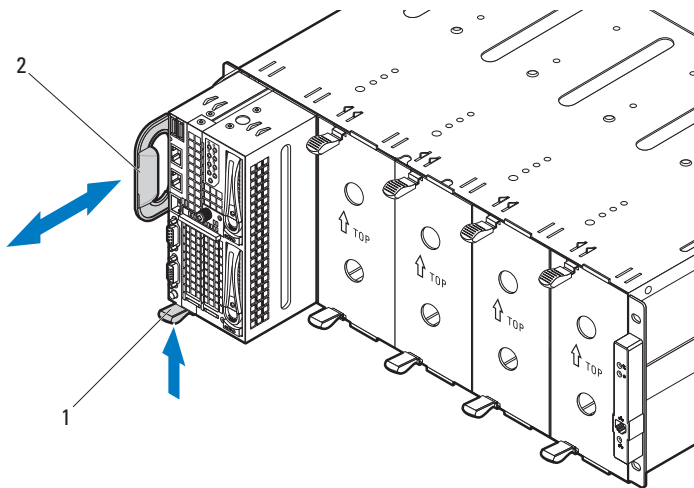
Εκκένωση του συστήματος

Πριν εγκαταστήσετε ένα πλαίσιο διακομιστή PowerEdge C8000 σε ένα rack, αφαιρέστε όλες τις μονάδες sled από το πλαίσιο ώστε να μειώσετε το βάρος του συστήματος και να αποφύγετε τον τραυματισμό. Τοποθετήστε όλες τις μονάδες sled σε ένα αντιστατικό υπόθεμα ή αντιστατικό αφρό.

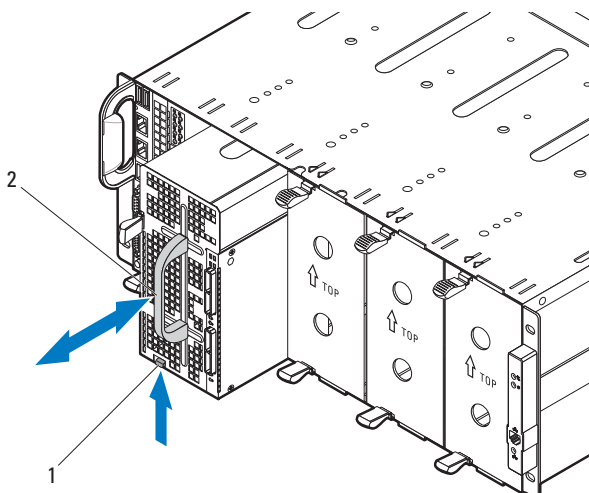
- Για να αφαιρέσετε ένα υπολογιστικό sled C8220 μονού πλάτους, τραβήξτε το μάνδαλο απελευθέρωσης ❶ και χρησιμοποιώντας τη λαβή ❷ βγάλτε συρτά το sled από το πλαίσιο.



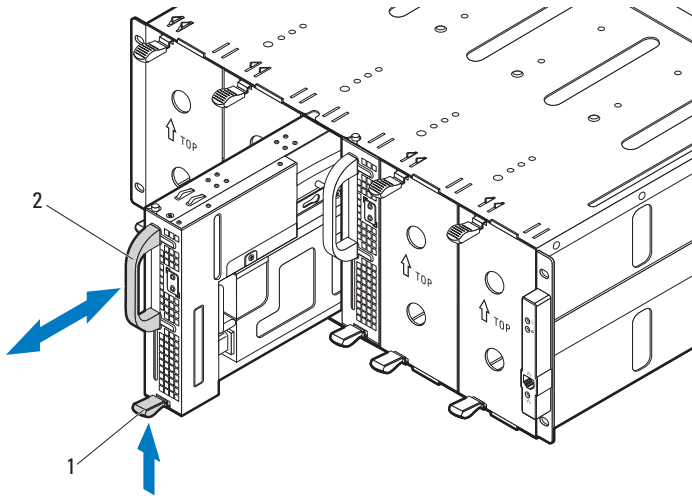
- Για να αφαιρέσετε ένα υπολογιστικό sled C8220X διπλού πλάτους, τραβήξτε το μάνδαλο απελευθέρωσης ❶ και χρησιμοποιώντας τη λαβή ❷ βγάλτε συρτά το sled από το πλαίσιο.



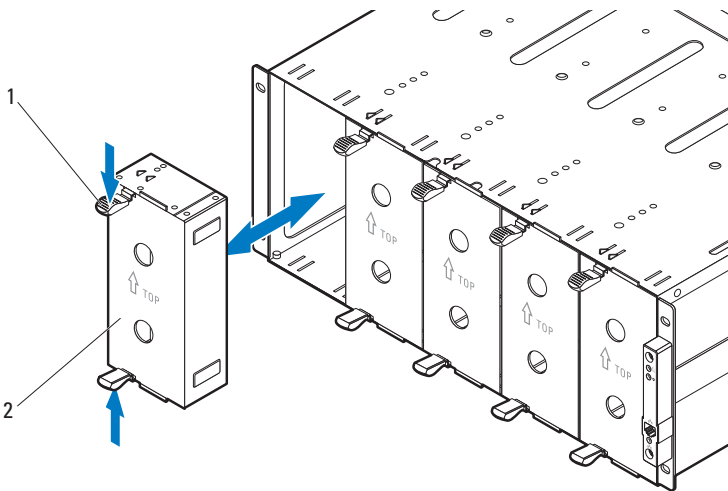
- Για να αφαιρέσετε ένα sled αποθήκευσης C8000XD, τραβήξτε και κρατήστε το γλωσσίδι απελευθέρωσης ❶ και χρησιμοποιώντας τη λαβή ❷ βγάλτε συρτά το sled από το πλαίσιο.



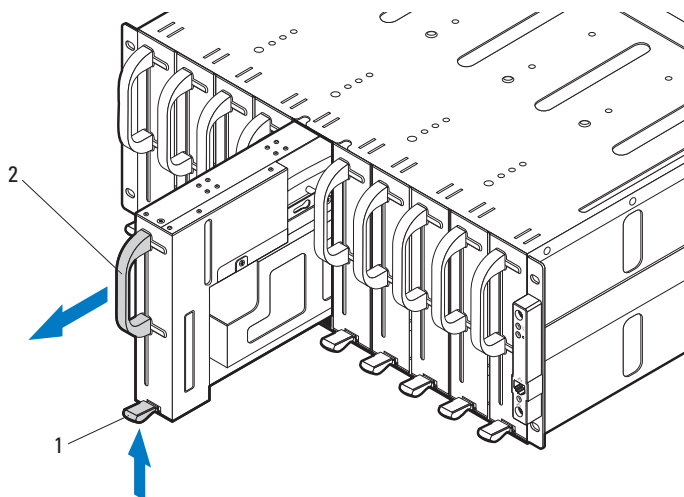
- Για να αφαιρέσετε ένα υπολογιστικό sled, τραβήξτε το μάνδαλο απελευθέρωσης ❶ και χρησιμοποιώντας τη λαβή ❷ βγάλτε συρτά το sled από το πλαίσιο.



- Για να αφαιρέσετε ένα κενό sled διπλού πλάτους, πιέστε και κρατήστε τα μάνδαλα απελευθέρωσης ❶ και βγάλτε συρτά το κενό sled από το πλαίσιο ❷.



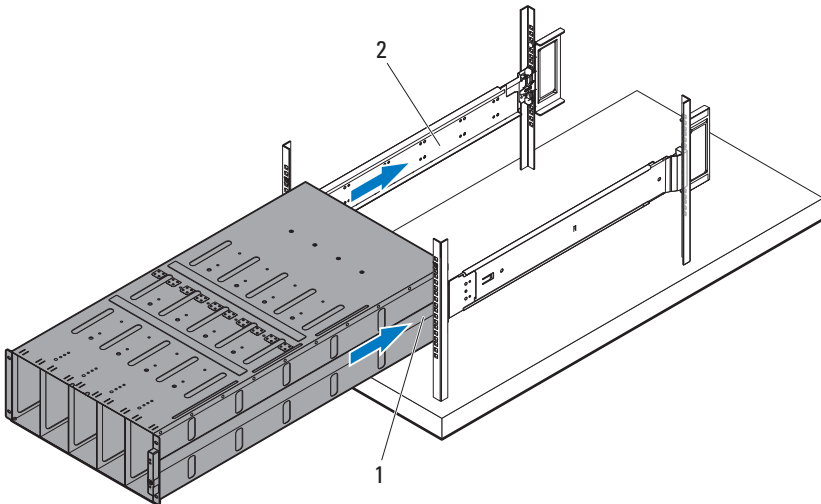
- Για να αφαιρέσετε ένα κενό sled μονού πλάτους, τραβήξτε το μάνδαλο απελευθέρωσης ❶ και χρησιμοποιώντας τη λαβή ❷ βγάλτε συρτά το κενό sled από το πλαίσιο.



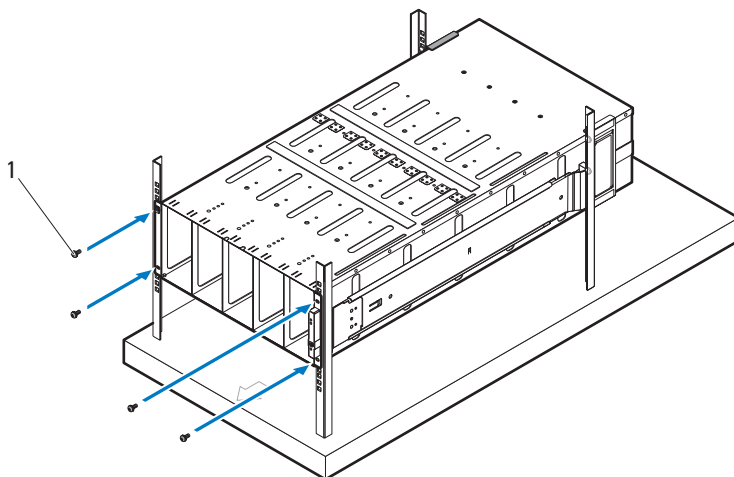
Εγκατάσταση του συστήματος σε rack

⚠ ΠΡΟΕΙΔΟΠΟΙΗΣΗ: Όποτε χρειαστεί να σηκώσετε το σύστημα, ζητήστε από άλλους να σας βοηθήσουν. Για να αποφύγετε τραυματισμούς, μην επιχειρήσετε να σηκώσετε μόνοι σας το σύστημα.

- 1 Με βοήθεια, ευθυγραμμίστε το πλαίσιο διακομιστή **1** με τις ράγες **2** και σπρώξτε το πλήρως πάνω στο rack.

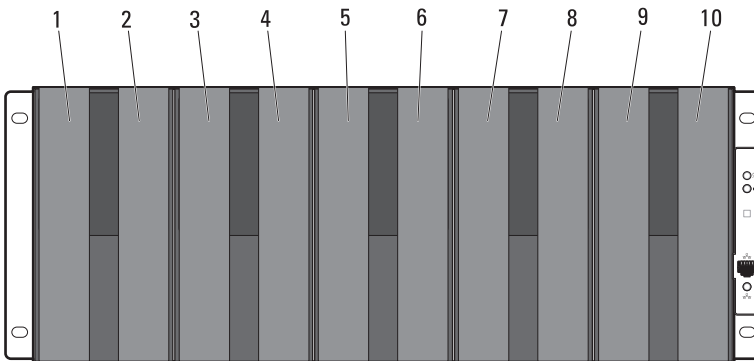


- 2 Ασφαλίστε το μπροστινό μέρος του πλαισίου στον αριστερό και δεξιό στύλο του rack με τις τέσσερις βίδες 10-32 ①.



Αρίθμηση υποδοχών sled

Το πλαίσιο του διακομιστή PowerEdge C8000 διαιρείται σε δέκα κατακόρυφες υποδοχές. Το υπολογιστικό sled C8220 μονού πλάτους καταλαμβάνει μία υποδοχή sled στο πλαίσιο του διακομιστή και το υπολογιστικό sled C8220X διπλού πλάτους ή sled αποθήκευσης C8000XD καταλαμβάνει δύο υποδοχές sled στο πλαίσιο του διακομιστή. Όταν τοποθετείτε μια μονάδα sled στο πλαίσιο του διακομιστή, πρέπει να τοποθετείτε τη μονάδα sled στην υποδοχή sled 1 πρώτα, έπειτα να προχωράτε προς τα δεξιά του πλαισίου.



Τύπος μονάδας sled	Υποδοχές sled									
	1	2	3	4	5 ^a	6 ^a	7	8	9	10
Υπολογιστικό sled C8220 μονού πλάτους	✓	✓	✓	✓	✓	✓	✓	✓	✓	✓
Υπολογιστικό sled C8220X διπλού πλάτους	✓		✓		✓		✓		✓	
Sled αποθήκευσης C8000XD ^β	✓		✓		✓		✓		✓	
Sled τροφοδοσίας ^γ	—	—	—	—	✓	✓	—	—	—	—

a. Οι υποδοχές sled 5 και 6 υποστηρίζουν εγκατάσταση δύο ειδών sled τροφοδοσίας ή δύο υπολογιστικών sled C8220 ή ενός συνδυασμού δύο τύπων sled.

b. Για πλαίσια διακομιστή με εσωτερική τροφοδοσία, τοποθετήστε sled αποθήκευσης C8000XD μόνο στις υποδοχές sled 3 έως 10.

c. Τοποθετείτε τα sled τροφοδοσίας μόνο στις υποδοχές sled 5 και 6.

Συμπλήρωση του συστήματος



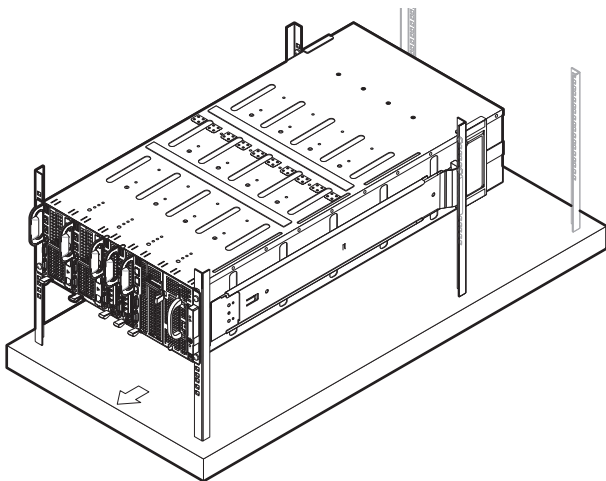
ΠΡΟΣΟΧΗ: Για τη σωστή λειτουργία και ψύξη, όλες οι υποδοχές sled στο πλαίσιο πρέπει να γεμίζουν πάντα είτε με ένα sled είτε με ένα κενό sled.








ΠΡΟΣΟΧΗ: Για τη διατήρηση της σωστής ψύξης του συστήματος, όλες οι κενές υποδοχές σκληρού δίσκου πρέπει να έχουν τοποθετημένα καλύμματα σκληρού δίσκου.

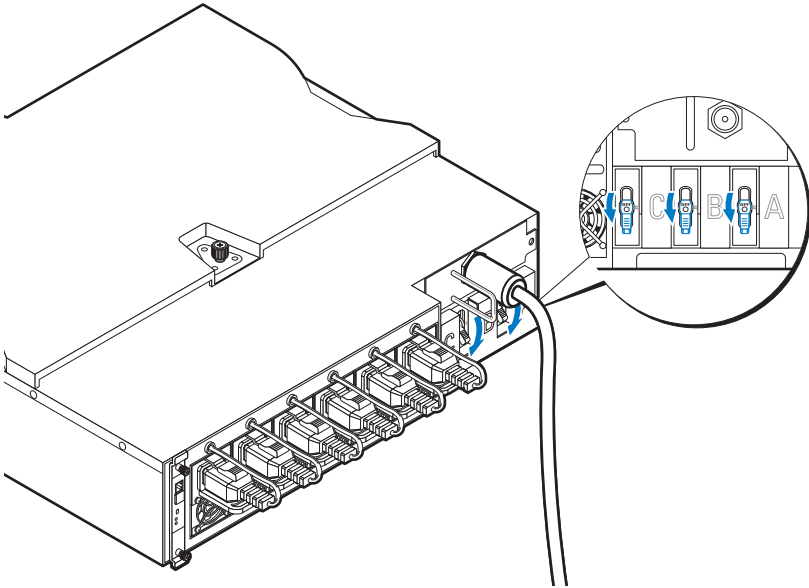
Τοποθετήστε όλα τα εξαρτήματα στο πλαίσιο του διακομιστή PowerEdge C8000.

- Για να τοποθετήσετε ένα υπολογιστικό sled C8220 μονού πλάτους, σύρετε το νέο sled στο πλαίσιο μέχρι το sled να εδράσει πλήρως και το μάνδαλο απελευθέρωσης να κουμπώσει στη θέση του.
- Για να τοποθετήσετε ένα υπολογιστικό sled C8220X διπλού πλάτους, σύρετε το νέο sled στο πλαίσιο μέχρι το sled να εδράσει πλήρως και το μάνδαλο απελευθέρωσης να κουμπώσει στη θέση του.
- Για να τοποθετήσετε ένα sled αποθήκευσης C8000XD, σύρετε το νέο sled στο πλαίσιο μέχρι το sled να εδράσει πλήρως και το μάνδαλο απελευθέρωσης να κουμπώσει στη θέση του.
- Για να τοποθετήσετε ένα sled τροφοδοσίας, σύρετε το νέο sled στο πλαίσιο μέχρι το sled να εδράσει πλήρως και το μάνδαλο απελευθέρωσης να κουμπώσει στη θέση του.
- Για να τοποθετήσετε ένα κενό sled διπλού πλάτους σύρετε το κενό sled στο πλαίσιο μέχρι να εδράσει πλήρως και το μάνδαλο απελευθέρωσης να κουμπώσει στη θέση του.
- Για να τοποθετήσετε ένα κενό sled μονού πλάτους σύρετε το κενό sled στο πλαίσιο μέχρι να εδράσει πλήρως και τα μάνδαλα απελευθέρωσης να κουμπώσουν στη θέση τους.

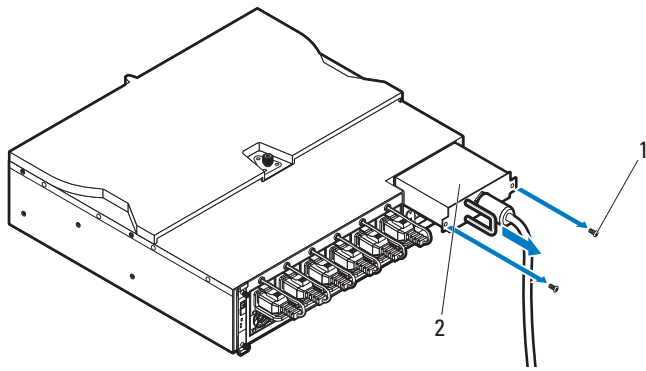


Εγκατάσταση εξωτερικής μονάδας PDU στο rack

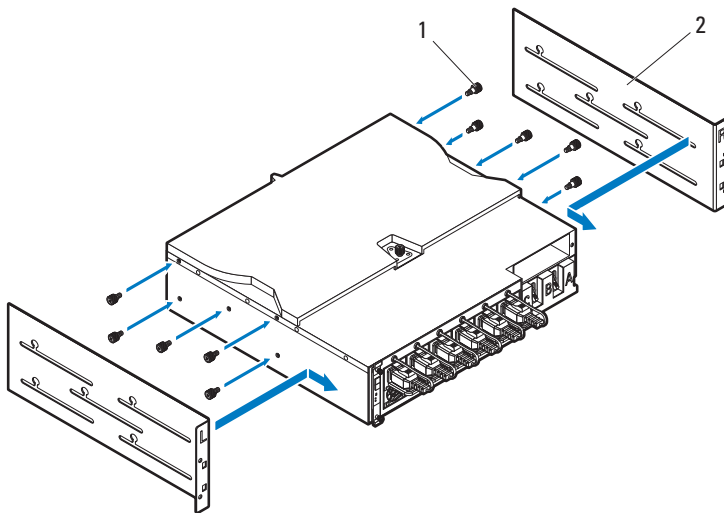
-  **ΠΡΟΕΙΔΟΠΟΙΗΣΗ:** Όταν χρειαστεί να σηκώσετε το σύστημα, ζητήστε από άλλους να σας βοηθήσουν. Για να αποφύγετε τραυματισμούς, μην επιχειρήσετε να σηκώσετε μόνοι σας το σύστημα.
-  **ΣΗΜΕΙΩΣΗ:** Οι εικόνες της συσκευής PDU παρέχονται για αναφορά μόνο. Ανατρέξτε στην τεκμηρίωση της συσκευής PDU για περισσότερες πληροφορίες για τη συσκευή PDU.
-  **ΣΗΜΕΙΩΣΗ:** Οι βραχίονες στερέωσης της PDU φέρουν σήμανση L και R. Η ράγα με σήμανση "L" τοποθετείται στα αριστερά της συσκευής PDU και η ράγα με σήμανση "R" τοποθετείται στα δεξιά της συσκευής PDU.
-  **ΠΡΟΕΙΔΟΠΟΙΗΣΗ:** Μην συνδέετε ή αποσυνδέετε καλώδια τροφοδοσίας στη συσκευή PDU ενόσω είναι ενεργοποιημένη.
-  **ΠΡΟΕΙΔΟΠΟΙΗΣΗ:** Κλείστε τους ασφαλειοδιακόπτες της PDU για να αποφύγετε πιθανό σοβαρό ή θανατηφόρο κίνδυνο ηλεκτροπληξίας.
 - 1 Κλείστε τους ασφαλειοδιακόπτες A, B και C της PDU μετακινώντας τους στη θέση "OFF".



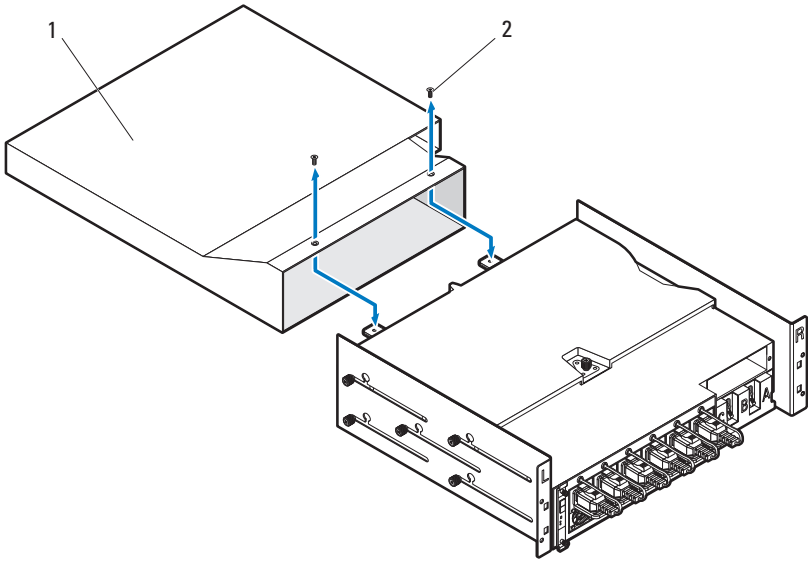
- 2** Αποσυνδέστε την PDU από την πηγή τροφοδοσίας.
- 3** Αφαιρέστε τη μονάδα του κουτιού διασύνδεσης καλωδίου τροφοδοσίας (PCIB).
 - a** Αφαιρέστε τις δύο βίδες **1** που ασφαλίζουν τη μονάδα PCIB.
 - b** Κρατήστε τη λαβή της PCIB και τραβήξτε την έξω από την υποδοχή της **2**.



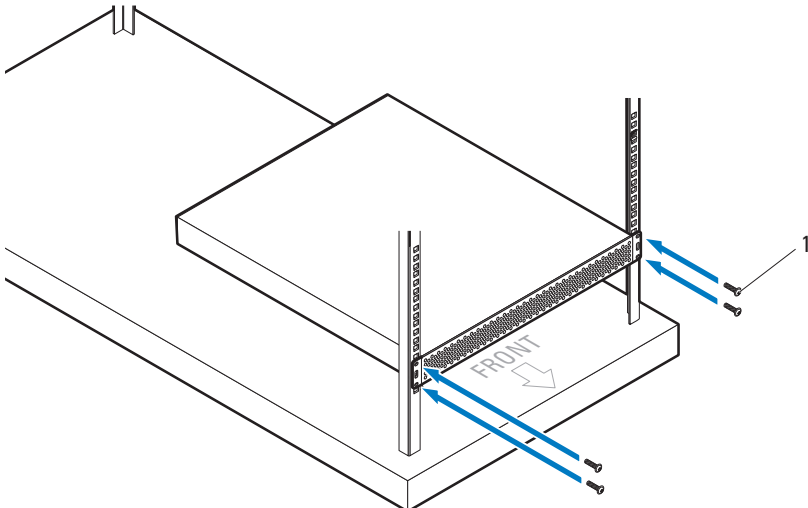
- 4** Τοποθετήστε τους βραχίονες στερέωσης στις πλευρές της PDU.
- a** Τοποθετήστε τις δέκα βίδες ❶ στην αριστερή και δεξιά πλευρά της PDU.
 - b** Τοποθετήστε το δεξιό βραχίονα στερέωσης με τη σήμανση "L" έτσι ώστε να ευθυγραμμιστούν οι οπές των βιδών με τις βίδες στην PDU και σύρετε το βραχίονα στερέωσης προς το πίσω μέρος της PDU έως ότου ασφαλίσει στη θέση του ❷.
 - c** Τοποθετήστε τον αριστερό βραχίονα στερέωσης με τη σήμανση "R" έτσι ώστε να ευθυγραμμιστούν οι οπές των βιδών με τις βίδες στην PDU και σύρετε το βραχίονα στερέωσης προς το πίσω μέρος της PDU έως ότου ασφαλίσει στη θέση του ❷.



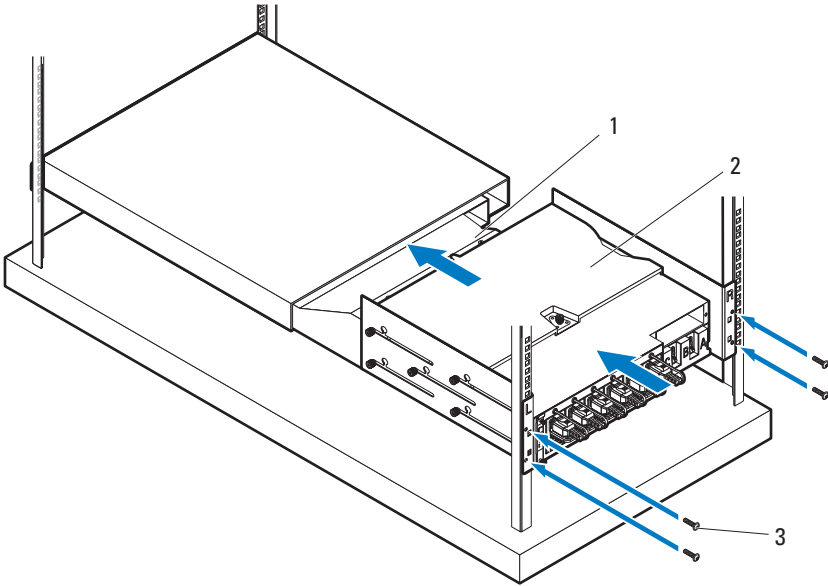
- 5** Τοποθετήστε τη μονάδα αερισμού στη PDU.
- a** Αφαιρέστε τον αεραγωγό από τη μονάδα αερισμού.
 - b** Ευθυγραμμίστε τον αεραγωγό ❶ με το μπροστινό μέρος της PDU.
 - c** Ασφαλίστε τον αεραγωγό στο μπροστινό μέρος της PDU με τις δύο βίδες ❷.



- d Ευθυγραμμίστε τη μονάδα αερισμού με τους στύλους του rack.
- e Ασφαλίστε τη μονάδα αερισμού στους στύλους του rack με τις τέσσερις βίδες ①.



- 6** Με βοήθεια, σύρετε τον αεραγωγό **1** μέσα στη μονάδα αερισμού και ασφαλίστε το πίσω μέρος της PDU **2** στους στύλους του rack με τέσσερις βίδες **3**.

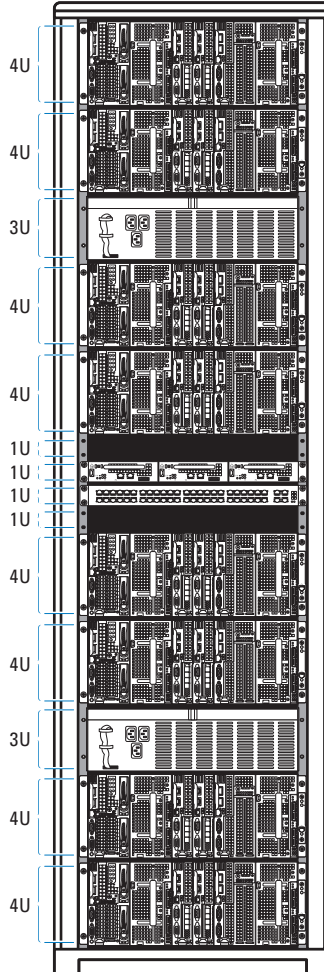


Συνδεσμολογία rack

Η παρακάτω εικόνα παρουσιάζει ένα παράδειγμα διαμόρφωσης rack με πλαίσια διακομιστή PowerEdge C8000, συσκευές μονάδων διανομής ισχύος (PDU), μεταγωγέα και δρομολογητή σε ένα rack 42U.



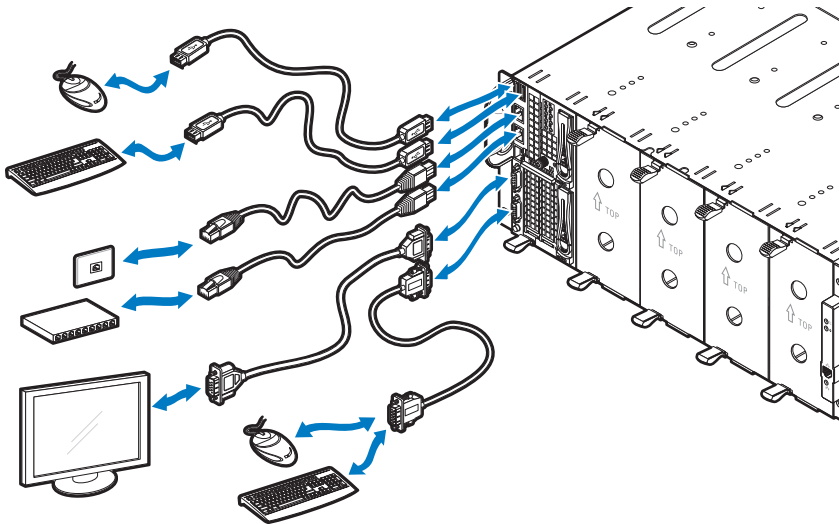
ΣΗΜΕΙΩΣΗ: Η εικόνα της διαμόρφωσης rack παρέχεται για αναφορά μόνο.



Σύνδεση πληκτρολογίου, ποντικιού και οθόνης

Συνδέστε ένα πληκτρολόγιο, ένα ποντίκι και μια οθόνη στο υπολογιστικό sled (προαιρετικό).

Η παρακάτω εικόνα δείχνει ένα παράδειγμα για τη σύνδεση πληκτρολογίου, ποντικιού και οθόνης σε ένα υπολογιστικό sled C8220X διπλού πλάτους.

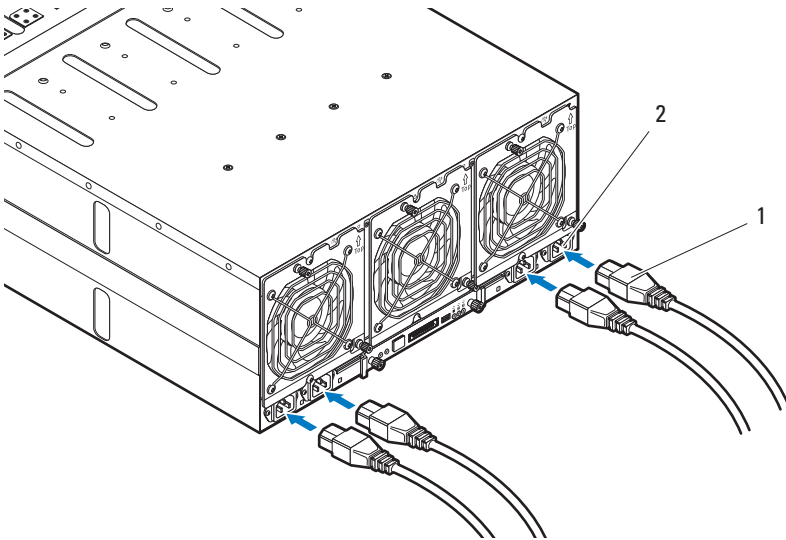


Σύνδεση των καλωδίων τροφοδοσίας

Η ενότητα αυτή περιλαμβάνει οδηγίες σχετικά με τον τρόπο σύνδεσης του πλαισίου διακομιστή με εσωτερική ή εξωτερική τροφοδοσία σε μια εξωτερική PDU.

Πλαίσιο διακομιστή με εσωτερική τροφοδοσία

- 1 Στο πίσω μέρος του πλαισίου, συνδέστε τα καλώδια τροφοδοσίας **1** στις υποδοχές τροφοδοσίας AC **2**.

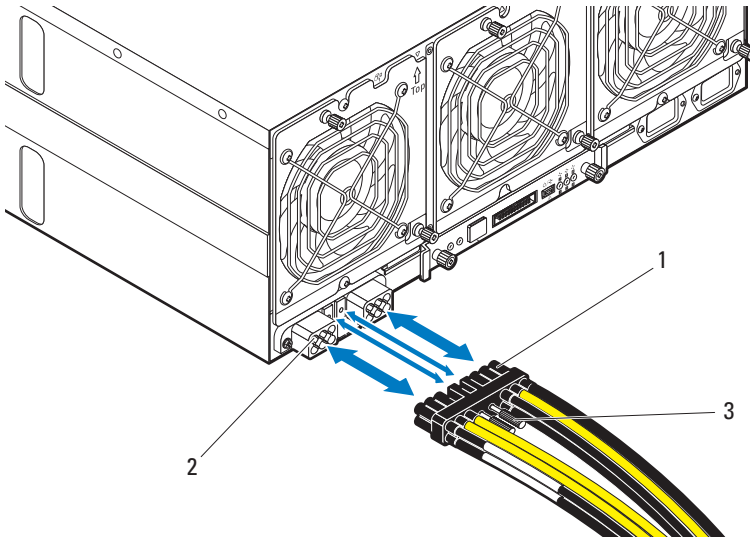


- 2 Συνδέστε το άλλο άκρο των καλωδίων ρεύματος σε μια γειωμένη ηλεκτρική πρίζα ή μια ξεχωριστή πηγή ρεύματος, όπως μια συσκευή αδιάλειπτης παροχής ρεύματος ή τη μονάδα διανομής ρεύματος.

Πλαίσιο διακομιστή με εξωτερική τροφοδοσία

⚠ ΠΡΟΕΙΔΟΠΟΙΗΣΗ: Βεβαιωθείτε ότι όλες οι συσκευές είναι απενεργοποιημένες πριν πραγματοποιήσετε τις συνδέσεις.

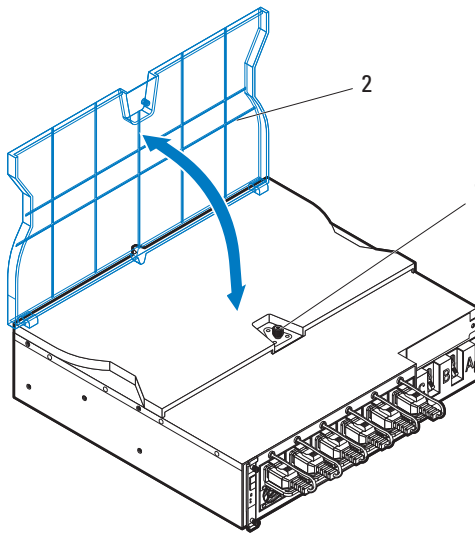
- 1 Στο πίσω μέρος του πλαισίου, συνδέστε το καλώδιο τροφοδοσίας ❶ στην υποδοχή τροφοδοσίας DC ❷.
- 2 Σφίξτε τις δύο κεντρικές βίδες ❸ στο καλώδιο για να ασφαλίσετε τη σύνδεση.



Σύνδεση πλαισίου διακομιστή σε μία rack PDU

! ΠΡΟΕΙΔΟΠΟΙΗΣΗ: Μη συνδέετε ή αποσυνδέετε καλώδια τροφοδοσίας στη συσκευή PDU ενόσω είναι ενεργοποιημένη. Κλείστε τους ασφαλειοδιακόπτες της PDU για να αποφύγετε πιθανό σοβαρό ή θανατηφόρο κίνδυνο ηλεκτροπληξίας. Τοποθετήστε τους ασφαλειοδιακόπτες A, B και C της PDU στη θέση "OFF".

- 1 Απασφαλίστε το κάλυμμα του καλωδίου **1**.
- 2 Περιστρέψτε το κάλυμμα **2** πίσω και μακριά από την PDU.



- 3 Συνδέστε τα καλώδια τροφοδοσίας του πλαισίου διακομιστή στη γραμμή τροφοδοσίας της PDU.

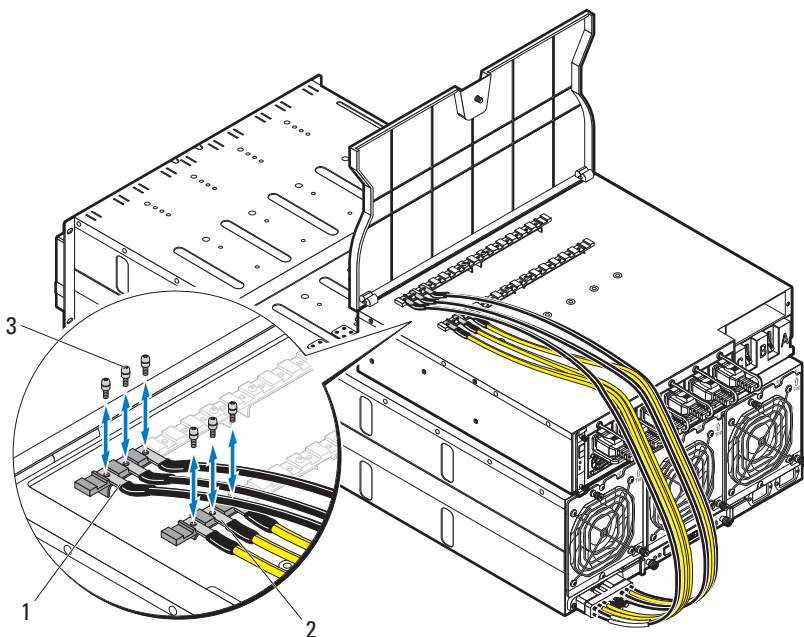


ΣΗΜΕΙΩΣΗ: Η συσκευή PDU υποστηρίζει το μέγιστο πέντε PowerEdge C8000 πλαίσια διακομιστή ανάλογα με τη διαμόρφωση του συστήματος και τον προϋπολογισμό τροφοδοσίας.

Σύνδεση ενός πλαισίου διακομιστή στην PDU:

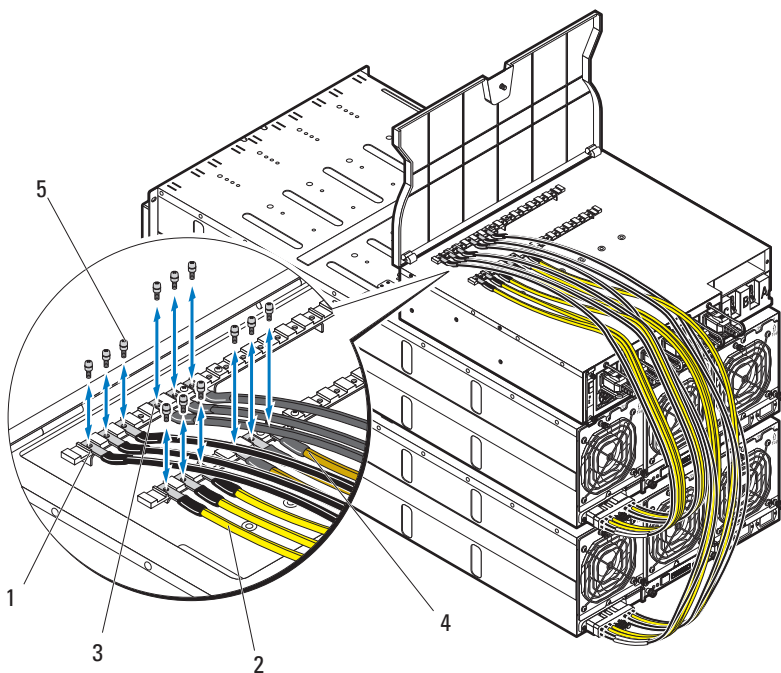
- a Ασφαλίστε τους τρεις μαύρους συνδέσμους καλωδίου τροφοδοσίας **1** στην πάνω γραμμή τροφοδοσίας (GND) με τρεις βίδες **3**.

- b** Ασφαλίστε τους τρεις κίτρινους συνδέσμους καλωδίου τροφοδοσίας ② στην κάτω γραμμή τροφοδοσίας με τρεις βίδες ③.



Σύνδεση πολλαπλών πλαισίων διακομιστή στην PDU:

- a** Ασφαλίστε τους τρεις μαύρους συνδέσμους καλωδίου τροφοδοσίας ① του πρώτου πλαισίου διακομιστή στην πάνω γραμμή τροφοδοσίας (GND) με τρεις βίδες ⑤.
- b** Ασφαλίστε τους τρεις κίτρινους συνδέσμους καλωδίου τροφοδοσίας ② του πρώτου πλαισίου διακομιστή στην κάτω γραμμή τροφοδοσίας με τρεις βίδες ⑤.
- c** Ασφαλίστε τους τρεις μαύρους συνδέσμους καλωδίου τροφοδοσίας ③ του δεύτερου πλαισίου διακομιστή στην πάνω γραμμή τροφοδοσίας (GND) με τρεις βίδες ⑤.
- d** Ασφαλίστε τους τρεις κίτρινους συνδέσμους καλωδίου τροφοδοσίας ④ του δεύτερου πλαισίου διακομιστή στην κάτω γραμμή τροφοδοσίας με τρεις βίδες ⑤.

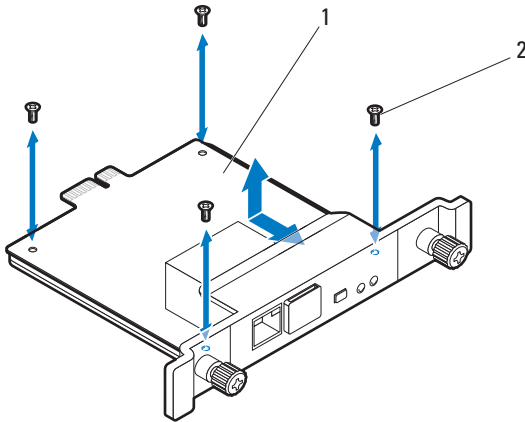


ΣΗΜΕΙΩΣΗ: Βεβαιωθείτε ότι όλα τα καλώδια τροφοδοσίας είναι σωστά συνδεδεμένα και ασφαλισμένα στις γραμμές τροφοδοσίας της PDU.

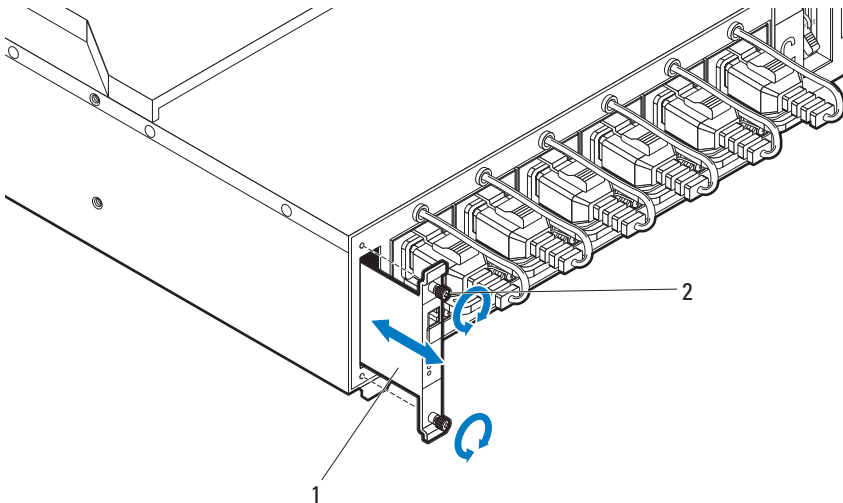
- 4 Κλείστε το κάλυμμα των καλωδίων και ασφαλίστε το στην PDU.

Σύνδεση της PDU στο δίκτυο

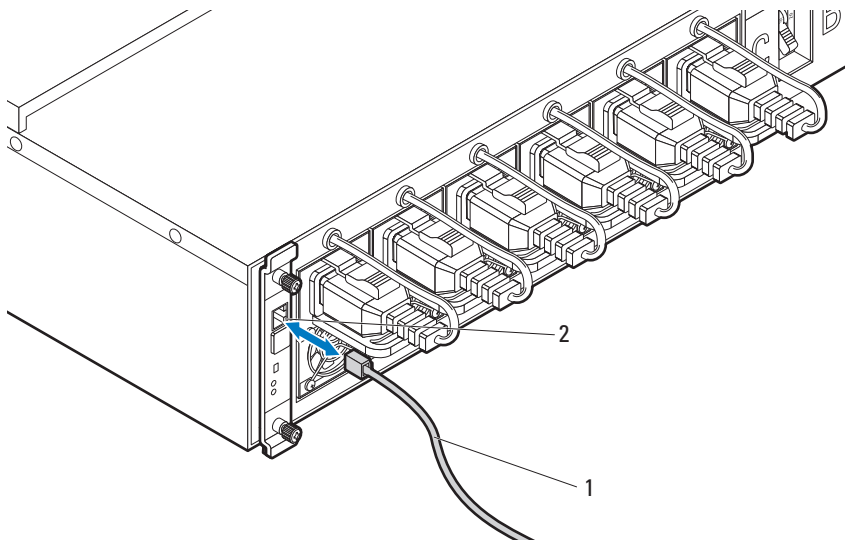
- 1 Εγκαταστήστε τον ελεγκτή διαχείρισης ενέργειας (PMC) στην PDU και συνδεθείτε στο δίκτυο σας.
- a Ασφαλίστε την πλακέτα PMC ❶ στην υποδοχή PMC με τέσσερις βίδες ❷.



- b Εισαγάγετε το συγκρότημα της PMC ❶ στην PDU και ασφαλίστε με τις δύο βίδες ❷.



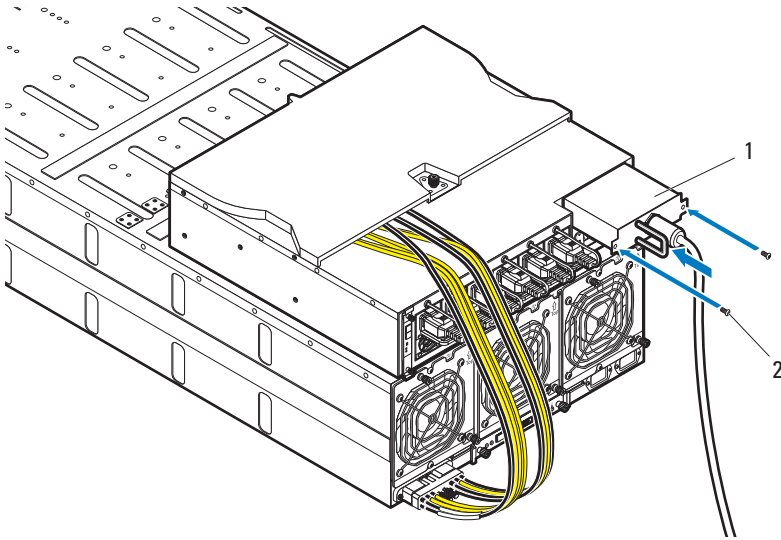
c Συνδέστε το καλώδιο δικτύου ❶ στη θύρα NIC 1 ❷.



Ενεργοποίηση των συστημάτων

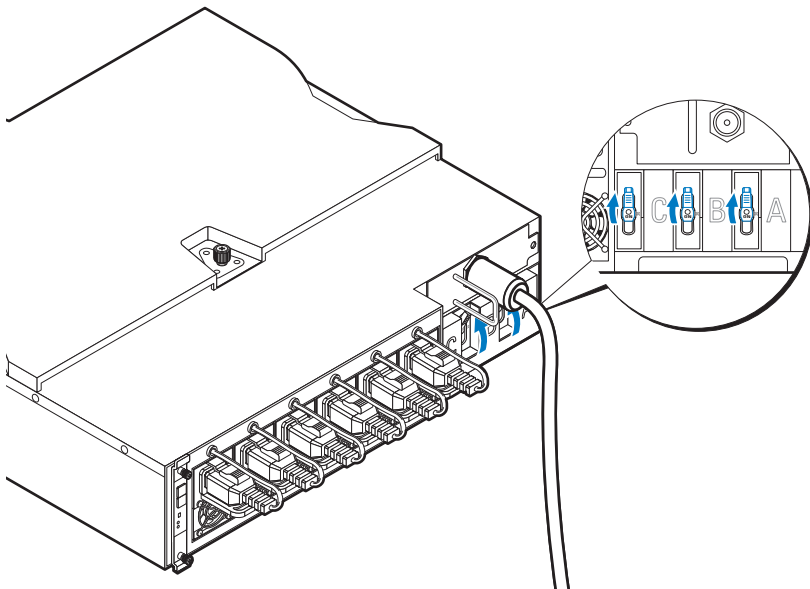
Ενεργοποίηση της PDU

- 1** Τοποθετήστε τη μονάδα PCIB στην PDU.
 - a** Εισαγάγετε τη μονάδα PCIB στην υποδοχή PCIB ❶.
 - b** Ασφαλίστε τη μονάδα PCIB στην PDU με δύο βίδες ❷.




- 2** Συνδέστε την PDU στην πηγή τροφοδοσίας.

- 3 Ανοίξτε τους ασφαλειοδιακόπτες A, B και C της PDU μετακινώντας τους στη θέση "ON".



- 4 Για να ενεργοποιήσετε την εποπτεία της συσκευής PDU μέσω δικτύου, ενεργοποιήστε την πλακέτα PMC πιέζοντας το κουμπί λειτουργίας που βρίσκεται στην πλακέτα PMC. Όταν εφαρμόζεται τροφοδοσία στην PDU, η ένδειξη λειτουργίας/κατάστασης στο μπροστινό μέρος της πλακέτας PMC ανάβει πράσινη.

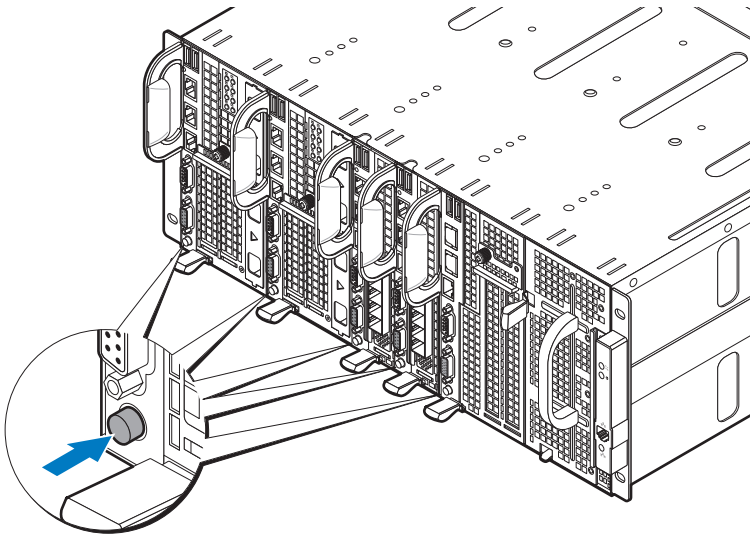
 **ΣΗΜΕΙΩΣΗ:** Οι εικόνες της πλακέτας PMC και της συσκευής PDU στον οδηγό αυτό παρέχονται μόνο για αναφορά. Ανατρέξτε στην τεκμηρίωση της συσκευής PDU για περισσότερες πληροφορίες για την πλακέτα PMC και τη συσκευή PDU.

Ενεργοποίηση του κουτιού του διακομιστή

Όταν είναι συνδεδεμένο σε πηγή ρεύματος, το ρεύμα διανέμεται αυτόματα στο πλαίσιο του διακομιστή. Μόλις το πλαίσιο του διακομιστή τροφοδοτηθεί με ρεύμα, ανάβει η ένδειξη λειτουργίας/συμβάντος στο μπροστινό μέρος του πλαισίου με πράσινο χρώμα και όλα τα sled του πλαισίου τροφοδοτούνται με ρεύμα.

Ενεργοποίηση των sled

Για να ενεργοποιήσετε το υπολογιστικό sled C8220 ή C8220X, πιάστε το κουμπί λειτουργίας σε κάθε sled ή τροφοδοτήστε με ρεύμα το sled με τον ελεγκτή διαχείρισης πλακέτας βάσης. Όταν το sled τροφοδοτείται με ρεύμα, η λυχνία ενεργοποίησης στο μπροστινό μέρος του sled ανάβει με πράσινο χρώμα. Μόλις τοποθετηθεί στο πλαίσιο του διακομιστή, το sled αποθήκευσης C8000XD ενεργοποιείται αυτόματα. Βλέπε την ενότητα "Using the Baseboard Management Controller Guide" (Χρήση του Οδηγού ελεγκτή διαχείρισης πλακέτας βάσης) στην τοποθεσία support.dell.com/manuals.




Ολοκλήρωση της εγκατάστασης του λειτουργικού συστήματος


Όταν εγκαθιστάτε ένα λειτουργικό σύστημα για πρώτη φορά, ανατρέξτε στην τεκμηρίωση εγκατάστασης και ρύθμισης παραμέτρων που αφορά στο λειτουργικό σας σύστημα. Βεβαιωθείτε ότι το λειτουργικό σύστημα είναι εγκατεστημένο προτού εγκαταστήσετε υλικό ή λογισμικό που δεν έχετε αγοράσει μαζί με το σύστημα.

Λειτουργικά συστήματα που υποστηρίζονται


- Citrix XenServer Enterprise Edition 5.6
- Citrix XenServer Enterprise Edition 6.1
- Microsoft Windows Server 2008 Enterprise Edition Release 2 (64 bit)
- Microsoft Windows Server 2012
- Microsoft Windows HPC 2008 Release 2
- Microsoft HyperV
- Red Hat Enterprise Linux 6.1 (64-bit)
- Red Hat Enterprise Linux 6.3 (64-bit)
- SUSE Linux Enterprise Server 11 SP2 (64-bit)
- Ubuntu 12.04.1 LTS 64-bit
- VMware ESXi 5.0
- VMware ESXi 5.0 U1
- VMware ESXi 5.0 U2
- VMware ESX 5.1
- VMware ESXi 5.1 U1

 **ΣΗΜΕΙΩΣΗ:** Για τις πιο πρόσφατες πληροφορίες σχετικά με τα λειτουργικά συστήματα που υποστηρίζονται, επισκεφτείτε τη διεύθυνση dell.com/ossupport.

Άλλες πληροφορίες που ενδεχομένως να χρειαστείτε

 **ΠΡΟΕΙΔΟΠΟΙΗΣΗ:** Ανατρέξτε στις πληροφορίες σχετικά με την ασφάλεια και τους κανονισμούς που έχουν αποσταλεί με το σύστημά σας. Οι πληροφορίες για την εγγύηση ενδέχεται να συμπεριλαμβάνονται σε αυτό το έγγραφο ή να αποτελούν ξεχωριστό έγγραφο.

- Βλέπε το Εγχειρίδιο κατόχου υλικού PowerEdge C8000 για πληροφορίες σχετικά με τα χαρακτηριστικά του πλαισίου διακομιστή, την αντιμετώπιση προβλημάτων και την αντικατάσταση εξαρτημάτων. Το παρόν έγγραφο είναι διαθέσιμο στην τοποθεσία support.dell.com/manuals.
- Βλέπε το Εγχειρίδιο κατόχου υλικού PowerEdge C8220 για πληροφορίες σχετικά με τις λειτουργίες συστήματος, την αντιμετώπιση προβλημάτων και την αντικατάσταση εξαρτημάτων. Το παρόν έγγραφο είναι διαθέσιμο στην τοποθεσία support.dell.com/manuals.
- Βλέπε το Εγχειρίδιο κατόχου υλικού PowerEdge C8220X για πληροφορίες σχετικά με τις λειτουργίες συστήματος, την αντιμετώπιση προβλημάτων και την αντικατάσταση εξαρτημάτων. Το παρόν έγγραφο είναι διαθέσιμο στην τοποθεσία support.dell.com/manuals.
- Βλέπε το Εγχειρίδιο κατόχου υλικού PowerEdge C8000XD για πληροφορίες σχετικά με τις λειτουργίες συστήματος, την αντιμετώπιση προβλημάτων και την αντικατάσταση εξαρτημάτων. Το παρόν έγγραφο είναι διαθέσιμο στην τοποθεσία support.dell.com/manuals.
- Ο οδηγός του Ελεγκτή διαχείρισης πλακέτας βάσης παρέχει πληροφορίες σχετικά με την εγκατάσταση και τη χρήση του βοηθητικού προγράμματος διαχείρισης συστημάτων. Το παρόν έγγραφο είναι διαθέσιμο στην τοποθεσία support.dell.com/manuals.

 **ΣΗΜΕΙΩΣΗ:** Να πραγματοποιείτε πάντοτε έλεγχο για ενημερώσεις και να διαβάζετε πρώτα τις ενημερώσεις, επειδή πολύ συχνά αντικαθιστούν τις πληροφορίες άλλων εγγράφων.

Πληροφορίες NOM

PowerEdge C8000

Οι παρακάτω πληροφορίες παρέχονται για τη συσκευή που περιγράφεται στο παρόν έγγραφο σύμφωνα με τις προδιαγραφές των επίσημων προτύπων του Μεξικού (NOM):

Εισαγωγέας:	Dell Inc. de México, S.A. de C.V. Paseo de la Reforma 2620-11° Piso Col. Lomas Altas 11950 México, D.F.
Αριθμός μοντέλου:	B10S
Τάση παροχής:	200–240 V CA (με τέσσερα τροφοδοτικά AC 1400 W) ή 12 V DC (με εξωτερική PDU)
Συχνότητα:	50–60 Hz
Κατανάλωση ρεύματος:	9 A (x4) (με τέσσερα τροφοδοτικά AC 1400 W) ή 480 A (με εξωτερική PDU)

PowerEdge C8220

Οι παρακάτω πληροφορίες παρέχονται για τη συσκευή που περιγράφεται στο παρόν έγγραφο σύμφωνα με τις προδιαγραφές των επίσημων προτύπων του Μεξικού (NOM):

Εισαγωγέας:	Dell Inc. de México, S.A. de C.V. Paseo de la Reforma 2620-11° Piso Col. Lomas Altas 11950 México, D.F.
Αριθμός μοντέλου:	B05B
Τάση παροχής:	12 V DC
Κατανάλωση ρεύματος:	42 A

PowerEdge C8220X

Οι παρακάτω πληροφορίες παρέχονται για τη συσκευή που περιγράφεται στο παρόν έγγραφο σύμφωνα με τις προδιαγραφές των επίσημων προτύπων του Μεξικού (NOM):

Εισαγωγέας:	Dell Inc. de México, S.A. de C.V. Paseo de la Reforma 2620-11° Piso Col. Lomas Altas 11950 México, D.F.
Αριθμός μοντέλου:	B06B
Τάση παροχής:	12 V DC
Κατανάλωση ρεύματος:	92 A

PowerEdge C8000XD

Οι παρακάτω πληροφορίες παρέχονται για τη συσκευή που περιγράφεται στο παρόν έγγραφο σύμφωνα με τις προδιαγραφές των επίσημων προτύπων του Μεξικού (NOM):

Εισαγωγέας:	Dell Inc. de México, S.A. de C.V. Paseo de la Reforma 2620-11° Piso Col. Lomas Altas 11950 México, D.F.
Αριθμός μοντέλου:	B06B
Τάση παροχής:	12 V DC
Κατανάλωση ρεύματος:	30 A

Τεχνικές προδιαγραφές

Προδιαγραφές υπολογιστικού sled (ανά sled)

Επεξεργαστής

Τύπος επεξεργαστή	Δύο επεξεργαστές Intel Xeon σειράς E5
Υποδοχή επεξεργαστή	Δύο LGA 2011

Chipset συστήματος

Διανομέας ελεγκτή πλατφόρμας	Intel X79
Ελεγκτής δικτύου	Intel i350-BT2
Ελεγκτής βίντεο	Aspeed AST2300

Μνήμη

Τύπος μνήμης	DDR3 UDIMM, RDIMM, LRDIMM
Υποδοχές λειτουργικών μονάδων μνήμης	Υποδοχές 16 DIMM
Χωρητικότητα μονάδων μνήμης	2 GB, 4 GB, 8 GB, 16 GB και 32 GB RDIMM
Ελάχιστη μνήμη RAM	512 MB UDIMM, 1 GB RDIMM
Μέγιστη μνήμη RAM	128 GB UDIMMs, 256 GB RDIMMs
Αρ. καναλιών μνήμης (ανά CPU)	4 κανάλια

Συσκευή αποθήκευσης

Υπολογιστικό sled PowerEdge C8220 μονού πλάτους	<ul style="list-style-type: none">• Θύρα 3 Gb/s SATA x 4• Θύρα 6 Gb/s SATA x 2• SATA HDD x2 2,5 ιντσών
Υπολογιστικό sled PowerEdge C8220X διπλού πλάτους	<ul style="list-style-type: none">• Θύρα 3 Gb/s SATA x 4• Θύρα 6 Gb/s SATA x 2• SATA HDD x2 2,5 ιντσών• SAS/SATA HDD x8 2,5 ιντσών ή SAS/SATA HDD x4 3,5 ιντσών• SAS/SATA HDD x 2 2,5 ιντσών με δυνατότητα σύνδεσης εν ώρα λειτουργίας (PowerEdge C8220X με σκληρούς δίσκους μπροστινής πρόσβασης 2,5 ιντσών με δυνατότητα σύνδεσης εν ώρα λειτουργίας)

Προδιαγραφές υπολογιστικού sled (ανά sled)(συνέχεια)

Κάρτα γραφικών

Υπολογιστικό sled PowerEdge C8220X διπλού πλάτους	PowerEdge C8220X με GPGPU/MIC <ul style="list-style-type: none">• NVIDIA Tesla M2090• NVIDIA Tesla K20• Intel Xeon Phi 5110P
---	--

Υποδοχές επέκτασης

Υπολογιστικό sled PowerEdge C8220 μονού πλάτους	<ul style="list-style-type: none">• Μία υποδοχή x16 PCI Express 2.0• Μία υποδοχή x8 mezzanine
Υπολογιστικό sled PowerEdge C8220X διπλού πλάτους	<ul style="list-style-type: none">• Δύο υποδοχές x8 PCI Express 3.0 (τύπος θύρας x16)• Μία υποδοχή x8 mezzanine
PowerEdge C8220X με GPGPU/MIC υπολογιστικό sled διπλού πλάτους	<ul style="list-style-type: none">• Μία υποδοχή x16 PCI Express 3.0 μέσω μονής κάθετης κάρτας (riser)• Μία υποδοχή x16 PCI Express 3.0 μέσω καλωδίου• Μία υποδοχή x8 mezzanine

Διασυνδέσεις

Θύρα διαχείρισης BMC	1 μπροστά
NIC	Δύο θύρες NIC 1Gb
Σειριακές	1 μπροστά
VGA	1 μπροστά
USB	2 μπροστά
UID LED	1 μπροστά

Τροφοδοσία

Μπαταρίες

Μπαταρία συστήματος	Στρογγυλή πλακέ μπαταρία ιόντων λιθίου CR 2032 3,0 V
Μπαταρία RAID (προαιρετικά)	Μπαταρία ιόντων λιθίου 3,7 V

Προδιαγραφές sled αποθήκευσης (ανά sled)

Διαμόρφωση sled HDD

Λειτουργία δύο θυρών (εφεδρική)	Στάνταρ θήκη
Λειτουργία μίας θύρας (μη εφεδρική)	<ul style="list-style-type: none">• Στάνταρ θήκη• Εύκαμπτη θήκη• Θήκη επέκτασης
Λειτουργία επέκτασης (χωρίς ζώνες/ δύο ζώνες/τέσσερις ζώνες)	Θήκη επέκτασης

Συσκευή αποθήκευσης

Στάνταρ θήκη	SAS/SATA/SSD HDD x12 3,5 ιντσών
Εύκαμπτη θήκη	SAS/SATA/SSD HDD x12 2,5 ιντσών
Θήκη επέκτασης	SSD HDD x24 2,5 ιντσών
Διασύνδεση	
Mini-SAS	4 μπροστά

Προδιαγραφές sled τροφοδοσίας (ανά sled)

Διασυνδέσεις

Λυχνία LED λειτουργίας	2 μπροστά
Θύρα τροφοδοσίας	Θύρα 2 DC (12 V & GND)

Τροφοδοτικό (ανά παροχή τροφοδοσίας)

Ισχύς σε watt	1400 W
Θύρα	IEC C20
Τάση	200–240 V AC, 50–60 Hz, 9 A μέγ.
Έκλυση θερμότητας	1205 BTU/ώρα Μέγιστο
Μέγιστο ρεύμα εισροής	Κάτω από τυπικές συνθήκες γραμμής και πάνω από την περιοχή λειτουργίας περιβάλλοντος ολόκληρου του συστήματος, το ρεύμα εισροής μπορεί να αγγίξει τα 25 A ανά παροχή τροφοδοσίας για 10 ms ή λιγότερο

Προδιαγραφές πλαισίου διακομιστή

Φυσικά χαρακτηριστικά

Ύψος	17,5 cm (6,9 in.)
Πλάτος	44,7 cm (17,6 in.)
Βάθος	81,3 cm (32,0 in.)
Βάρος (κενό)	17,93 kg (39,53 lbs.)

Στήριγμα sled

Πλαίσιο διακομιστή με εσωτερική τροφοδοσία	<ul style="list-style-type: none">• Έως 10 υπολογιστικά sled C8220 μονού πλάτους• Έως 5 υπολογιστικά sled C8220X διπλού πλάτους• Έως 4 sled αποθήκευσης C8000XD• Έως 2 sled τροφοδοσίας
Κουτί διακομιστή με εξωτερική μονάδα PDU	<ul style="list-style-type: none">• Έως 10 υπολογιστικά sled C8220 μονού πλάτους• Έως 5 υπολογιστικά sled C8220X διπλού πλάτους• Έως 5 sled αποθήκευσης C8000XD

Διασυνδέσεις

NIC	Δύο θύρες 10/100Mbit NIC (1 μπροστά, 1 πίσω)
Σειριακές	1 πίσω
Λυχνία LED λειτουργίας/συμβάντος	2 (1 μπροστά, 1 πίσω)
UID LED	2 (1 μπροστά, 1 πίσω)
Λυχνία LED δραστηριότητας Ethernet	1 μπροστά
Θερμικός αισθητήρας	1 μπροστά
Λυχνία LED αστοχίας μονάδας ανεμιστήρα συστήματος	3 πίσω

Ανεμιστήρες συστήματος

Τύπος ανεμιστήρα	3 μονάδες ανεμιστήρα (2 ανεμιστήρες ανά μονάδα/6 συνολικά)
------------------	--

Προδιαγραφές πλαισίου διακομιστή

Τροφοδοσία

Τροφοδοτικό DC

Τάση

με εξωτερική PDU

12 V DC, 50–60 Hz, 680 A το μέγιστο με 6 PSU τοποθετημένα

Χαρακτηριστικά περιβάλλοντος

ΣΗΜΕΙΩΣΗ: Για επιπλέον πληροφορίες σχετικά με τις περιβαλλοντικές μετρήσεις για συγκεκριμένες διαμορφώσεις συστήματος, επισκεφτείτε την τοποθεσία dell.com/environmental_datasheets.

Θερμοκρασία

Κατά τη λειτουργία

10 °C έως 35 °C (50 °F έως 95 °F), με μέγιστο ρυθμό μεταβολής της θερμοκρασίας τους 10 °C ανά ώρα

Κατά την αποθήκευση

–40 °C έως 65 °C (40 °F έως 149 °F), με μέγιστο ρυθμό μεταβολής θερμοκρασίας 20 °C ανά ώρα

Σχετική υγρασία

Κατά τη λειτουργία

20% έως 80% (χωρίς συμπύκνωση) με μέγιστο ρυθμό μεταβολής της υγρασίας 10% ανά ώρα

Κατά την αποθήκευση

5% έως 95% (χωρίς συμπύκνωση)

Μέγιστη ταλάντευση

Κατά τη λειτουργία

0,26 Grms στα 5–350 Hz

Κατά την αποθήκευση

1,87 Grms σε 10-500 Hz για 15 λεπτά

Μέγιστη δόνηση

Κατά τη λειτουργία

Ένας παλμός δόνησης στο θετικό τμήμα του άξονα z (ένας παλμός σε κάθε πλευρά του συστήματος) των 31 G, μέχρι και για 2,6 ms προς τις λειτουργικές κατευθύνσεις

Χαρακτηριστικά περιβάλλοντος (συνέχεια)

Κατά την αποθήκευση	Έξι διαδοχικά εκτελεσμένοι παλμοί δόνησης στο θετικό και αρνητικό τμήμα των αξόνων x, y και z (ένας παλμός σε κάθε πλευρά του συστήματος) των 71 G για έως και 2 ms. Έξι διαδοχικά εκτελεσμένοι παλμοί δόνησης στο θετικό και αρνητικό τμήμα των αξόνων x, y και z (ένας παλμός στην κάθε πλευρά του συστήματος) παλμού τετραγωνικού κύματος των 27 G με μεταβολή ταχύτητας ίση με 597 εκατοστά/δευτερόλεπτο (235 ίντσες/δευτερόλεπτο)
---------------------	---

Υψόμετρο

Κατά τη λειτουργία	-16 έως 3.048 m (-50 έως 10.000 ft.) ΣΗΜΕΙΩΣΗ: Για υψόμετρο άνω των 2.950 ποδιών, η μέγιστη θερμοκρασία λειτουργίας ελαττώνεται ονομαστικά κατά 1°F/550 ft.
Κατά την αποθήκευση	-16 έως 10.600 μ. (-50 έως 35.000 πόδια)

Επίπεδα ρύπων στην ατμόσφαιρα

Κατηγορία	G1, όπως ορίζεται από το ISA-S71.04-1985
-----------	--

Dell PowerEdge
C8000, C8220, C8220X
oraz C8000XD

Rozpoczęcie pracy z systemem

Oznaczenie serii: B10S, B05B, B06B
Oznaczenie typu: B10S001, B05B001,
B06B001, B06B002



Uwagi, przestrogi i ostrzeżenia



UWAGA: UWAGA oznacza ważną wiadomość, która pomoże lepiej wykorzystać komputer.



PRZESTROGA: PRZESTROGA wskazuje na ryzyko uszkodzenia sprzętu lub utraty danych w razie nieprzestrzegania instrukcji.



OSTRZEŻENIE: OSTRZEŻENIE informuje o sytuacjach, w których występuje ryzyko uszkodzenia mienia, odniesienia obrażeń ciała lub śmierci.

Informacje zawarte w tym dokumencie mogą zostać zmienione bez uprzedzenia.

© 2013 Dell Inc. Wszelkie prawa zastrzeżone.

Powielanie tych materiałów w jakiegokolwiek formie bez pisemnej zgody firmy Dell Inc. jest surowo zabronione.

Znaki towarowe użyte w niniejszym dokumencie: Dell™, logo DELL, Dell Precision™, OptiPlex™, Latitude™, PowerEdge™, PowerVault™, PowerConnect™, OpenManage™, EqualLogic™, KACE™, FlexAddress™ i Vostro™ są znakami towarowymi firmy Dell Inc. Intel®, Pentium®, Xeon®, Core™, Celeron® i Xeon Phi™ są zastrzeżonymi znakami towarowymi firmy Intel Corporation w Stanach Zjednoczonych i innych krajach. Microsoft®, Windows® i Windows Server®, MS-DOS® oraz Windows Vista® są znakami towarowymi lub zastrzeżonymi znakami towarowymi firmy Microsoft Corporation w Stanach Zjednoczonych i/lub w innych krajach. Red Hat® i Red Hat® Enterprise Linux® są zastrzeżonymi znakami towarowymi firmy Red Hat, Inc. w Stanach Zjednoczonych i/lub innych krajach. Novell® jest zastrzeżonym znakiem towarowym, a SUSE™ jest znakiem towarowym Novell Inc. w Stanach Zjednoczonych i innych krajach. Oracle® jest zastrzeżonym znakiem towarowym firmy Oracle Corporation i/lub firm od niej zależnych. Citrix®, Xen®, XenServer® i XenMotion® są znakami towarowymi lub zastrzeżonymi znakami towarowymi firmy Citrix Systems, Inc. w Stanach Zjednoczonych i/lub innych krajach. VMware®, Virtual SMP®, vMotion®, vCenter® i vSphere® są zastrzeżonymi znakami towarowymi firmy VMWare, Inc. w Stanach Zjednoczonych lub innych krajach. NVIDIA i Tesla™ są znakami towarowymi i/lub zastrzeżonymi znakami towarowymi firmy NVIDIA Corporation. Ubuntu jest zastrzeżonym znakiem towarowym firmy Canonical Ltd.

W niniejszym dokumencie mogą zostać także użyte inne znaki towarowe i nazwy handlowe w odniesieniu do podmiotów posiadających prawa do znaków i nazw lub do ich produktów. Firma Dell Inc. nie rości sobie żadnych praw do znaków towarowych i nazw handlowych innych niż jej własne.

Oznaczenie serii: B10S, B05B, B06B

Oznaczenie typu: B10S001, B05B001, B06B001, B06B002


2013 - 07 Nr ref. NJK8N Wersja A04

PRZESTROGA: Lokalizacja o ograniczonym dostępie

Serwer przeznaczony jest do instalacji wyłącznie w określonych lokalizacjach o ograniczonym dostępie, które spełniają poniższe warunki:

- Dostęp mogą mieć wyłącznie technicy serwisowi lub użytkownicy poinstruowani na temat powodów ograniczenia dostępu do lokalizacji oraz środków ostrożności, jakie należy stosować.
- Dostęp do urządzenia można uzyskać przy pomocy narzędzia lub zamka i klucza, bądź innego zabezpieczenia, które znajduje się pod nadzorem osób odpowiedzialnych za lokalizację.

Instalacja i konfiguracja

 **OSTRZEŻENIE: Przed rozpoczęciem wykonywania poniższej procedury zapoznaj się z dołączonymi do systemu instrukcjami dotyczącymi bezpieczeństwa i zastosuj się do nich.**



Obudowa serwerowa PowerEdge C8000 jest elastyczną i skalowalną obudową o wysokości 4U, do montażu w szafie serwerowej typu rack. Obudowa PowerEdge C8000 wyposażona jest w dziesięć pionowych wnęk na pełne lub mieszane obudowy sanek. Pełna obudowa sanek może zawierać do pięciu węzłów przetwarzania danych C8220X o podwójnej szerokości, dziesięć węzłów przetwarzania danych C8220 o pojedynczej szerokości lub pięć węzłów pamięci masowej C8000XD. Mieszana obudowa sanek może zawierać różne rodzaje węzłów serwerowych.

Zalecane narzędzia






Przed rozpoczęciem montażu należy upewnić się, że dostępne są następujące narzędzia:

- Wkrętak typu Phillips #1
- Wkrętak typu Phillips #2
- Bransoleta antystatyczna podłączona do uziemienia
- Mata lub pianka antystatyczna

Rozpakowanie systemu

-  **OSTRZEŻENIE:** Za każdym razem, gdy konieczne jest podniesienie systemu, należy skorzystać z pomocy drugiej osoby. Aby uniknąć obrażeń, nie należy próbować podnosić go samodzielnie.
-  **PRZESTROGA:** Podczas obsługi komponentów systemu należy nosić bransoletę antystatyczną.
 - 1 Przygotuj matę lub piankę antystatyczną, aby ustawić na niej obudowę serwerową PowerEdge C8000.
 - 2 Rozpakuj obudowę i ustaw ją na macie lub piance antystatycznej.
 - 3 Zachowaj kartony do wykorzystania w przyszłości.

Instalowanie prowadnicy Tool-Less Rail (bez użycia narzędzi)

-  **OSTRZEŻENIE:** Za każdym razem, gdy konieczne jest podniesienie systemu, należy skorzystać z pomocy drugiej osoby. Aby uniknąć obrażeń, nie należy próbować podnosić go samodzielnie.
-  **OSTRZEŻENIE:** System nie jest przymocowany do szafy typu rack ani zamontowany w szynach. W celu uniknięcia obrażeń lub uszkodzenia systemu konieczne jest odpowiednie podparcie systemu w trakcie instalacji i wyjmowania.
-  **OSTRZEŻENIE:** W celu uniknięcia potencjalnego porażenia prądem elektrycznym, przy instalacji szafy typu rack wymagany jest przewód uziemiający. Szafa typu rack musi gwarantować wystarczający przepływ powietrza wokół komputera w celu zapewnienia odpowiedniego chłodzenia.
-  **PRZESTROGA:** Aby zamontować szyny prawidłowo, kołki na ich końcach należy wyrównać ze słupkami szafy typu rack.
-  **UWAGA:** Szyny szafy typu rack są oznaczone napisami LEFT i RIGHT. Szynę z napisem „LEFT” należy zamocować do lewych słupków szafy typu rack, a szynę z napisem „RIGHT” — do prawych. Strony należy określać, stojąc od przodu szafy typu rack.
 - 1 Określ miejsce w szafie typu rack, w którym szyny mają być umieszczone. Upewnij się, że w szafie typu rack jest wystarczająca ilość miejsca na obudowę o wysokości 4U. W standardowej szafie typu rack obudowa o wysokości 4U obejmuje 12 otworów słupka szafy typu rack.

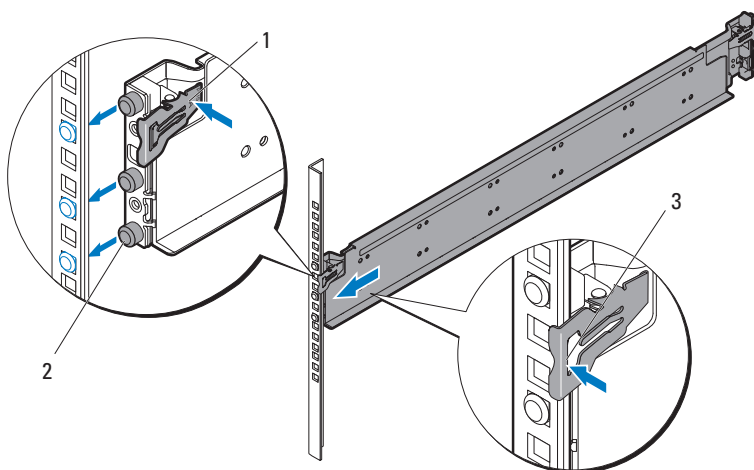
- 2 Korzystając z oznaczeń po lewej i prawej stronie szyny, ustaw ją prawidłowo względem słupków szafy typu rack.
- 3 Zamocuj lewą szynę i wspornik blokujący do szafy typu rack.
 - a Umieść lewą szynę z napisem „LEFT”, wyrównując ją z otworami montażowymi na słupkach szafy typu rack.
 - b Naciśnij przycisk zwalniania szyny ❶ i przytrzymaj go, aby otworzyć zatrzask na przednim końcu lewej szyny.
 - c Dopasuj trzy kołki ❷ do otworów montażowych na przednim słupku szafy typu rack.
 - d Zwolnij przycisk ❸, gdy jest wciśnięty w przedni słupek szafy typu rack.



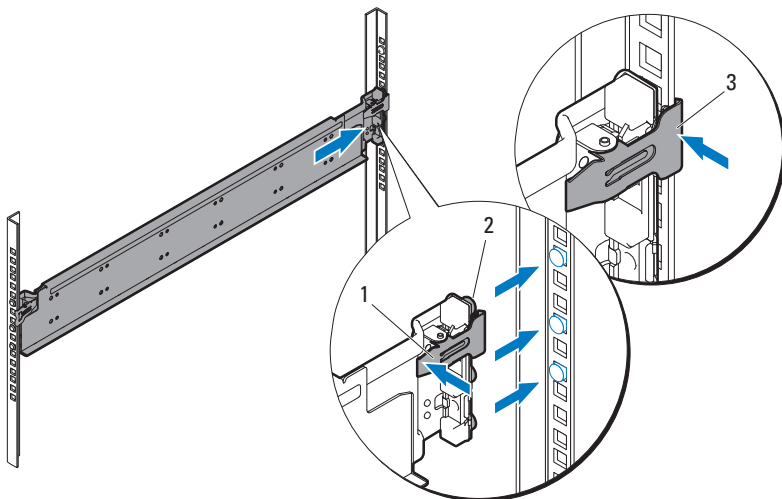
UWAGA: Sprawdź, czy przycisk zwalnający prowadnicę jest prawidłowo włączony.



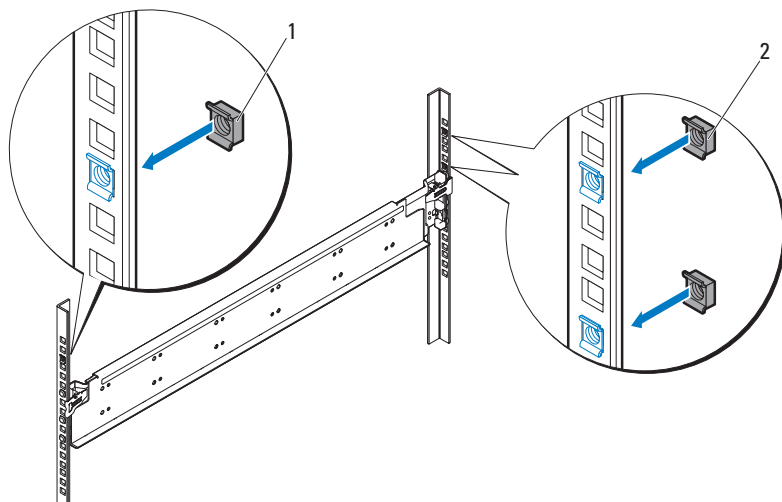
UWAGA: Prowadnice mogą być używane zarówno w szafach z kwadratowymi otworami, jak i w szafach z okrągłymi otworami.



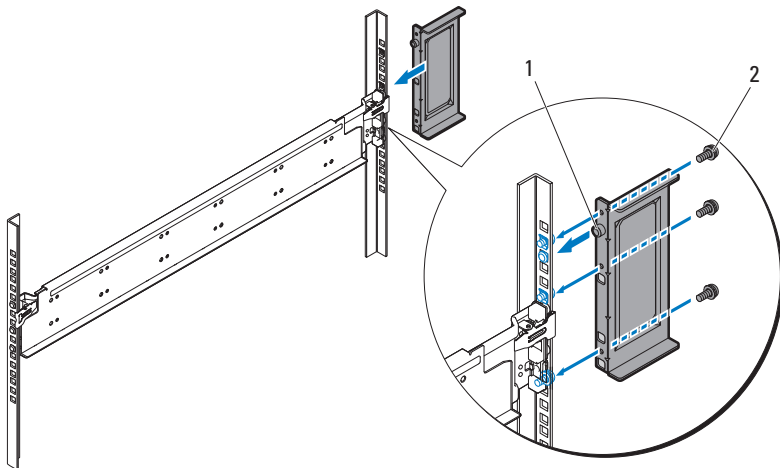
- e Naciśnij i przytrzymaj przycisk zwalniania prowadnicy ❶, aby otworzyć zatrzask na tylnym końcu prowadnicy.
- f Dopasuj trzy kołki ❷ do otworów montażowych na tylnym słupku szafy typu rack.
- g Zwolnij przycisk ❸, gdy jest wciśnięty w tylny słupek szafy typu rack.



- h** Załóż nakrętkę klatkową ❶ na przedni słupek szafy typu rack oraz dwie nakrętki klatkowe ❷ na tylny słupek szafy typu rack.



- i** Umieść wspornik blokujący ❶ na tylnym słupku szafy typu rack i zamocuj go, wkręcając trzy śruby 10-32 ❷. Dokręć śruby z momentem obrotowym 47 Nm.



- 4** Zamocuj prawą szynę i wspornik blokujący do szafy typu rack.

W ten sam sposób zamontuj prawą szynę i wspornik blokujący do prawych słupków szafy typu rack.



UWAGA: Aby zdemontować prowadnice, naciśnij i przytrzymaj przycisk zwalniający zatrask w połowie końcowej części, a następnie zwolnij każdą prowadnicę.

Instalacja systemu

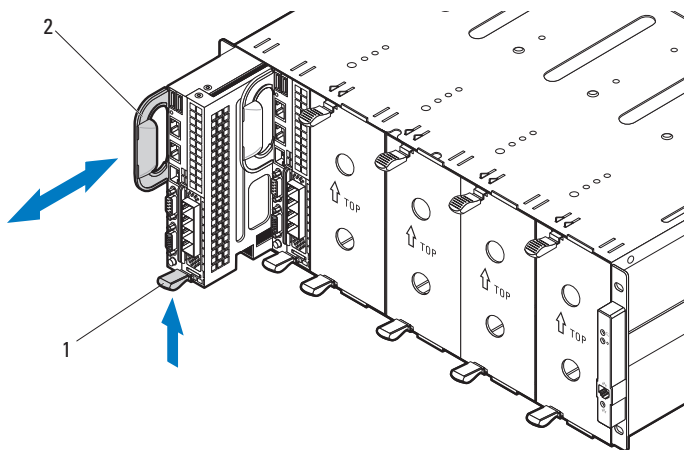
Niniejszy rozdział obejmuje następujące podrozdziały:

- Opróżnianie systemu
- Zainstaluj system w szafie typu rack.
- Numerowanie wnęk
- Wypełnianie systemu
- Instalacja zewnętrznej jednostki dystrybucji zasilania w szafie typu rack
- Konfiguracja szafy serwerowej typu rack

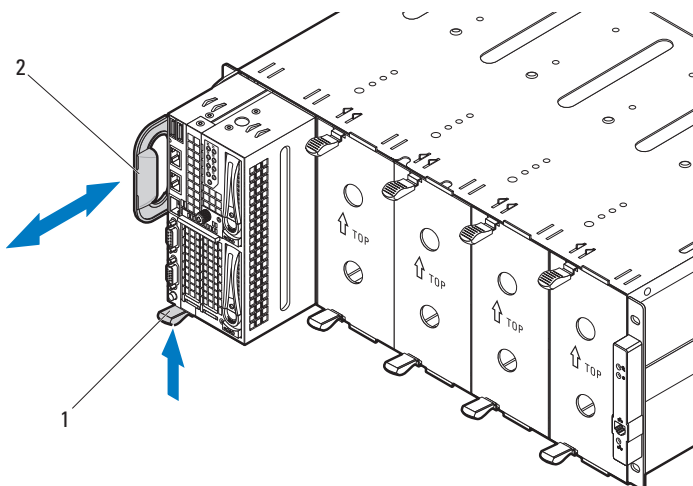
Opróżnianie systemu

Przed zamontowaniem obudowy serwera PowerEdge C8000 w szafie typu rack zdejmij wszystkie moduły sanek z obudowy, aby zmniejszyć ciężar systemu i zapobiec urazom. Umieść wszystkie moduły sanek na macie lub pianie antystatycznej.

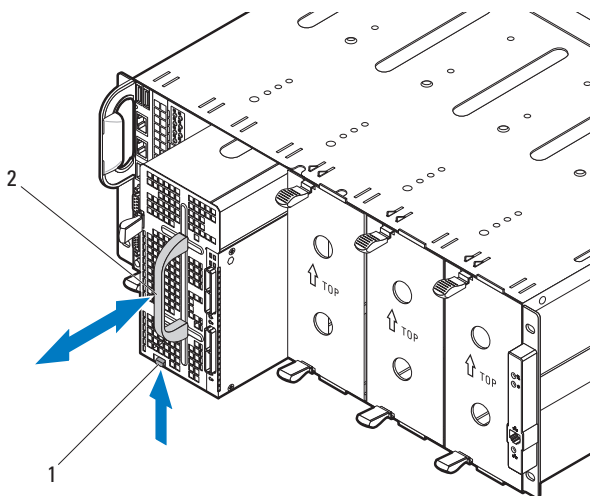
- Aby zdemontować węzeł przetwarzania danych C8220 o pojedynczej szerokości, pociągnij zatrzask zwalniający ❶ i za pomocą uchwytu ❷ wysuń sranki z obudowy.



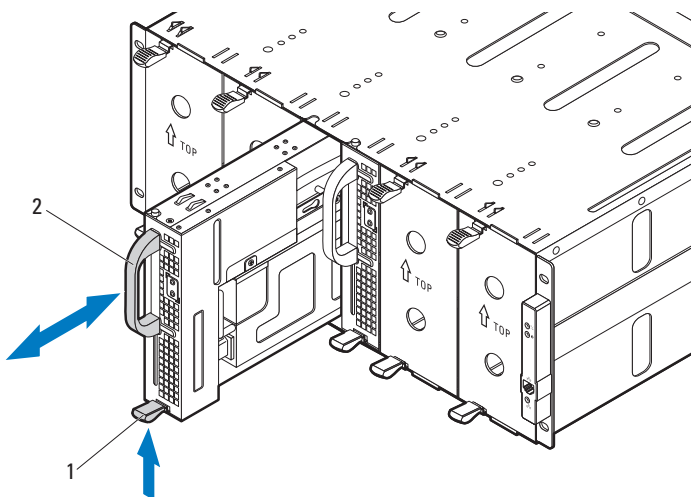
- Aby zdemontować węzeł przetwarzania danych C8220X o podwójnej szerokości, pociągnij zatrzask zwalniający ❶ i za pomocą uchwytu ❷ wysuń sranki z obudowy.



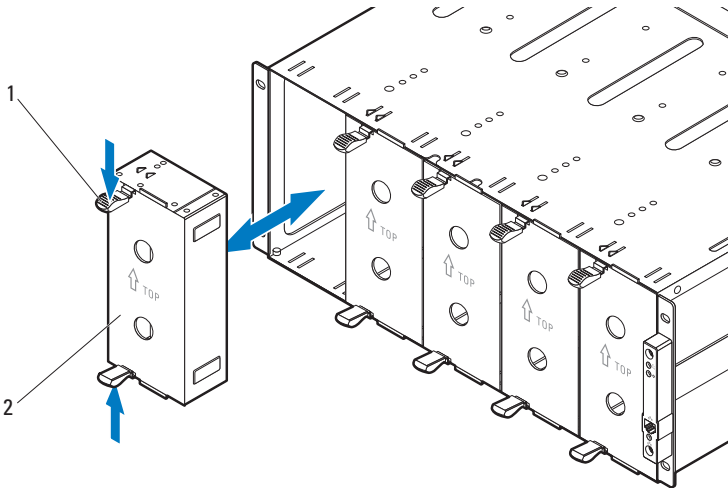
- Aby zdemontować węzeł pamięci masowej C8000XD, pociągnij i przytrzymaj zatrzask zwalniający ❶ i za pomocą uchwytu ❷ wysuń sanki z obudowy.



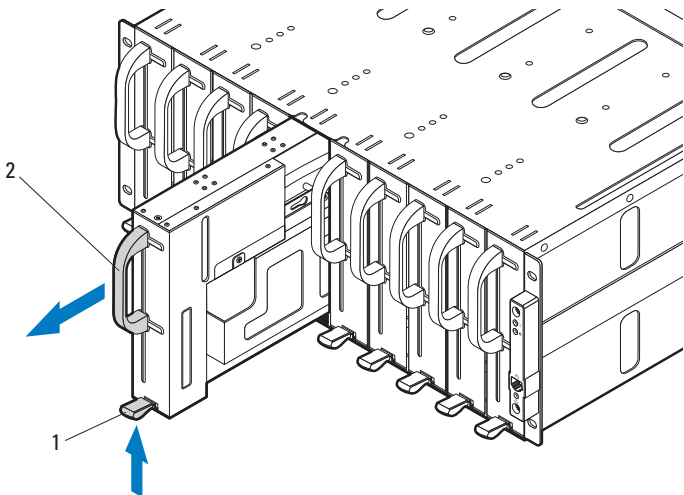
- Aby zdemontować węzeł zasilacza, pociągnij zatrzask zwalniający ❶ i za pomocą uchwytu ❷ wysuń sanki z obudowy.



- Aby zdemontować puste szuki o podwójnej szerokości, ściśnij i przytrzymaj zatrzaski zwalniające ❶, i wyciągnij szuki z obudowy ❷.



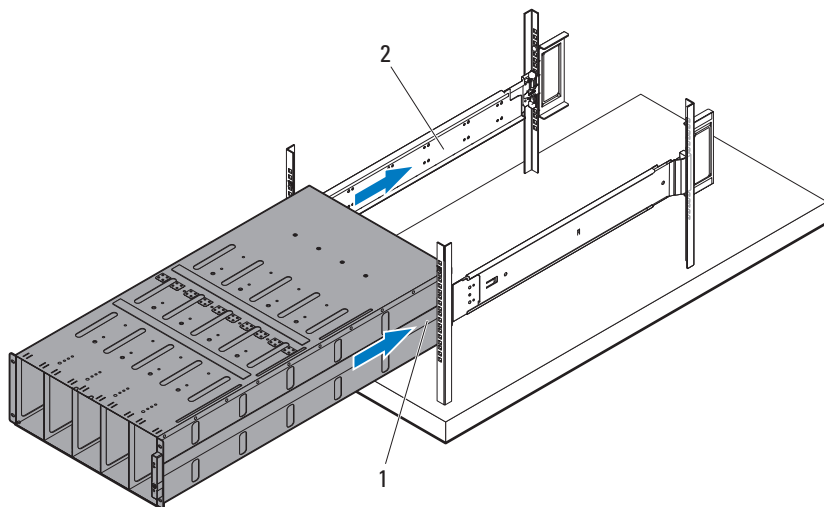
- Aby zdemontować puste szuki o pojedynczej szerokości, pociągnij zatrzask zwalniający ❶ i za pomocą uchwytu ❷ wysuń szuki z obudowy.



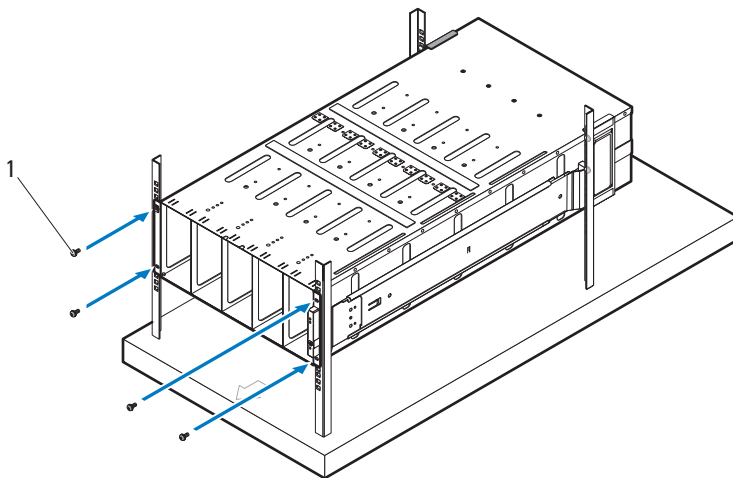
Zainstaluj system w szafie typu rack.

⚠ OSTRZEŻENIE: Za każdym razem, gdy konieczne jest podniesienie systemu, należy skorzystać z pomocy drugiej osoby. Aby uniknąć obrażeń, nie należy próbować podnosić go samodzielnie.

- 1 Korzystając z pomocy, dopasuj obudowę serwera **1** na prowadnicach **2** i dopchnij ją całkowicie w głąb stelaża.

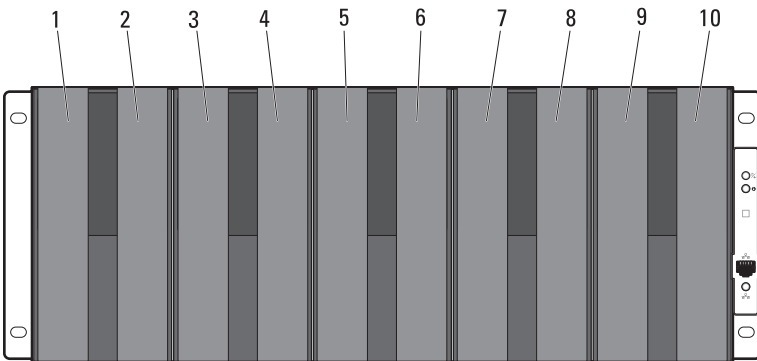


- 2 Zamocuj przednią część obudowy do lewego i prawego słupka szafy za pomocą czterech śrub 10-32 ❶.



Numerowanie wnęk

Obudowa serwerowa PowerEdge C8000 podzielona jest na dziesięć pionowych wnęk. Węzeł przetwarzania danych C8220 o pojedynczej szerokości zajmuje jedną wnękę w obudowie serwerowej, natomiast węzeł przetwarzania danych C8220X o podwójnej szerokości lub węzeł pamięci masowej C8000XD zajmują dwie wnęki w obudowie serwerowej. Podczas instalacji modułu sanek do obudowy serwerowej, należy najpierw zainstalować moduł sanek w pierwszej wnęce, a następnie postępować w kierunku prawej części obudowy.



Rodzaj modułu	Wnęki									
	1	2	3	4	5 ^a	6 ^a	7	8	9	10
Węzeł przetwarzania danych C8220 o pojedynczej szerokości	√	√	√	√	√	√	√	√	√	√
Węzeł przetwarzania danych C8220X o podwójnej szerokości	√		√		√		√		√	
Węzeł pamięci masowej C8000XD ^b	√		√		√		√		√	
Węzeł zasilacza ^c	—	—	—	—	√	√	—	—	—	—

a. Wnęki 5 i 6 umożliwiają montaż dwóch węzłów zasilaczy lub dwóch węzłów przetwarzania danych C8220 lub kombinacji dwóch typów sanek.

b. W przypadku obudowy serwerowej z wewnętrznym źródłem zasilania węzeł pamięci masowej C8000XD należy instalować tylko we wnękach od 3 do 10.

c. Węzły zasilacza należy instalować wyłącznie we wnękach nr 5 i 6.

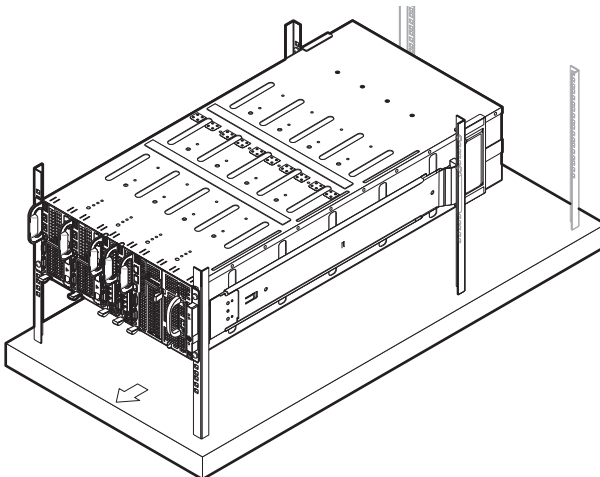
Wypełnianie systemu

△ PRZESTROGA: Aby zapewnić prawidłowe chłodzenie, zawsze należy wypełnić wszystkie wnęki w obudowie za pomocą węzłów lub pustych sanek.

△ PRZESTROGA: Aby utrzymać prawidłowe chłodzenie systemu, we wszystkich pustych gniazdach dysków twardych muszą być zainstalowane elementy zaślepiające.

Zainstaluj wszystkie komponenty w obudowie serwerowej PowerEdge C8000.

- Aby zainstalować węzeł przetwarzania danych C8220 o pojedynczej szerokości, wsuń nowy węzeł do obudowy, aż będzie dokładnie osadzony i zabezpieczony zatrząskiem.
- Aby zainstalować węzeł przetwarzania danych C8220X o podwójnej szerokości, wsuń nowy węzeł do obudowy, aż będzie dokładnie osadzony i zabezpieczony zatrząskiem.
- Aby zainstalować węzeł pamięci masowej C8000XD, wsuń nowy węzeł do obudowy, aż będzie dokładnie osadzony i zabezpieczony zatrząskiem.
- Aby zainstalować węzeł zasilacza, wsuń nowy węzeł do obudowy, aż będzie dokładnie osadzony i zabezpieczony zatrząskiem.
- Aby zainstalować puste sanki o podwójnej szerokości, wsuń je do obudowy, aż będą dokładnie osadzone i zabezpieczone zatrząskiem.
- Aby zainstalować puste sanki o pojedynczej szerokości, wsuń je do obudowy, aż będą dokładnie osadzone i zabezpieczone zatrząskami.



Instalacja zewnętrznej jednostki dystrybucji zasilania w szafie typu rack

⚠ OSTRZEŻENIE: Za każdym razem, gdy konieczne jest podniesienie systemu, należy skorzystać z pomocy drugiej osoby. Aby uniknąć obrażeń, nie należy próbować podnosić go samodzielnie.

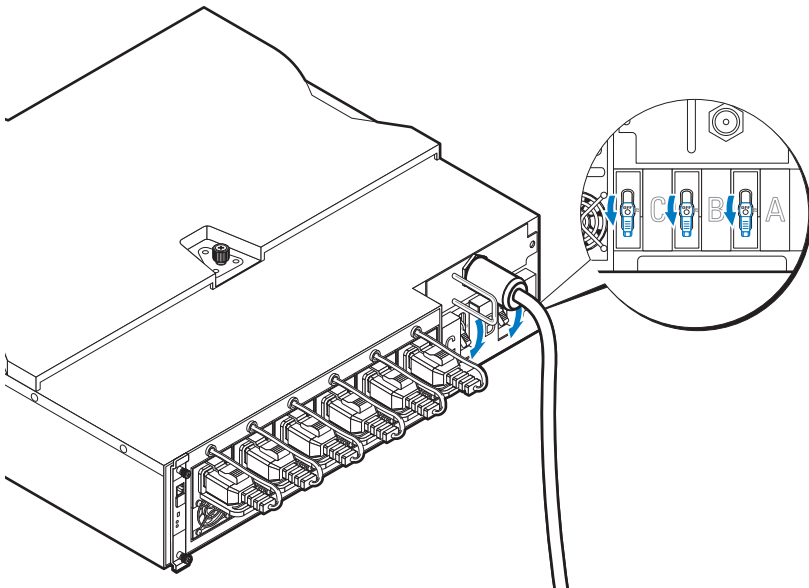
📎 UWAGA: Ilustracje jednostek dystrybucji zasilania mają wyłącznie charakter informacyjny. Więcej informacji o danej jednostce dystrybucji zasilania można znaleźć w jego dokumentacji.

📎 UWAGA: Wsporniki montażowe jednostki dystrybucji zasilania są oznaczone literami L i R. Szyna oznaczona literą „L” jest mocowana do lewej strony jednostki dystrybucji zasilania, a szyna oznaczona literą „R” — do prawej.

⚠ OSTRZEŻENIE: Nie wolno podłączać ani odłączać kabli zasilania od jednostki dystrybucji zasilania, gdy urządzenie znajduje się pod napięciem.

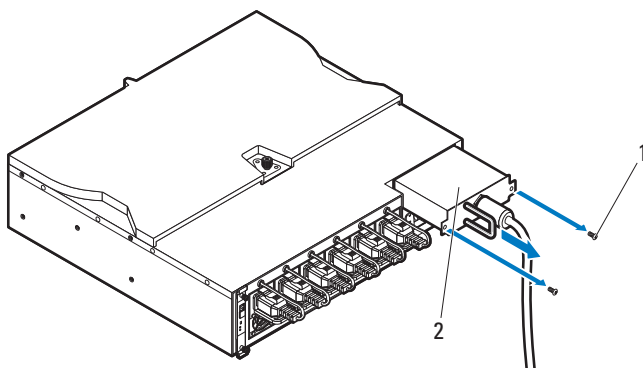
⚠ OSTRZEŻENIE: Należy wyłączyć wyłączniki jednostki dystrybucji zasilania, aby zapobiec poważnym obrażeniom lub śmierci w wyniku porażenia prądem elektrycznym.

- 1 Wyłącz wyłączniki jednostki dystrybucji zasilania, przesuwanając wyłączniki oznaczone literami A, B i C w pozycję „OFF”.

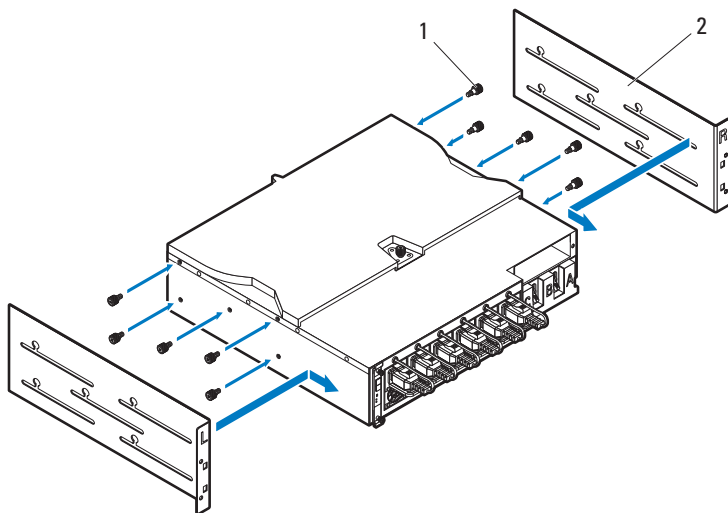


- 2 Odłącz jednostkę dystrybucji zasilania od źródła zasilania.

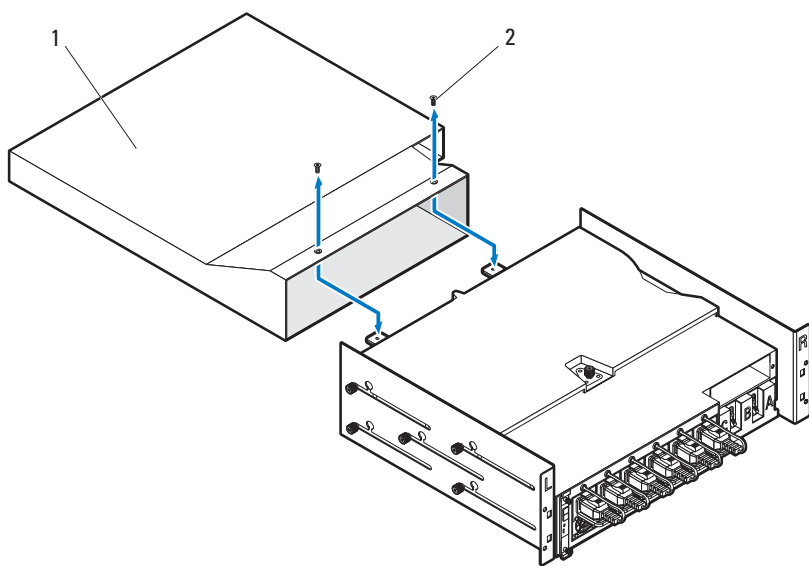
- 3** Wyjmij moduł złącza kabla zasilania (PCIB).
- a** Wykręć dwie śruby **1** mocujące moduł PCIB.
 - b** Trzymając za uchwyt modułu PCIB, wyciągnij go z jego wnęki **2**.



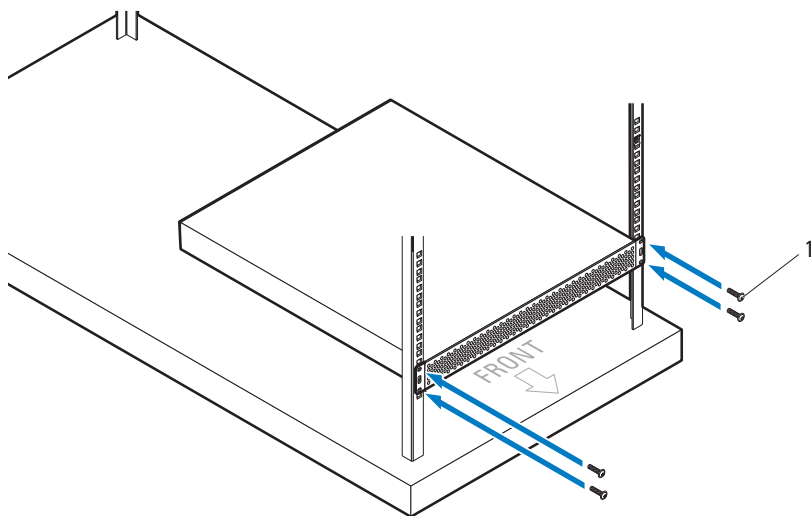
- 4** Zamocuj wsporniki montażowe po bokach jednostki dystrybucji zasilania.
- a** Wkręć dziesięć śrub **1** po lewej i prawej stronie (po 5 śrub na każdą stronę) jednostki dystrybucji zasilania.
 - b** Umieść lewy wspornik montażowy oznaczony literą „L”, wyrównując jego otwory na śruby ze śrubami wkręconymi w bok jednostki dystrybucji zasilania. Przesuń wspornik montażowy do tyłu jednostki, aż zatrzaśnie się na miejscu **2**.
 - c** Umieść prawy wspornik montażowy oznaczony literą „R”, wyrównując jego otwory na śruby ze śrubami wkręconymi w bok jednostki dystrybucji zasilania. Przesuń wspornik montażowy do tyłu jednostki, aż zatrzaśnie się na miejscu **2**.



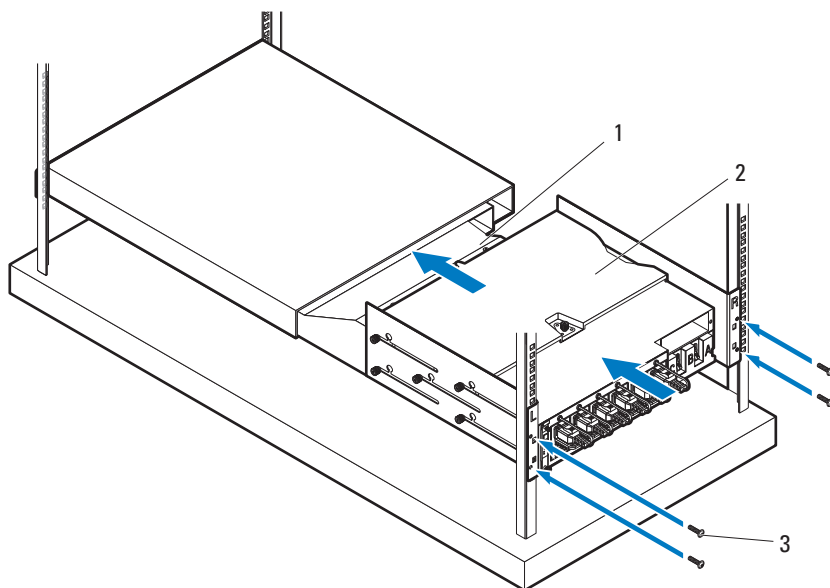
- 5** Zamontuj przedłużenie przewodu wentylacyjnego do jednostki dystrybucji zasilania.
- Odłącz przewód wentylacyjny od przedłużenia z kratką wentylacyjną.
 - Dopasuj przewód wentylacyjny **1** do uchwytów montażowych z przodu jednostki dystrybucji zasilania.
 - Zamocuj przewód wentylacyjny do jednostki dystrybucji zasilania za pomocą dwóch śrub **2**.



- d Dopasuj przedłużenie z kratką wentylacyjną do słupków szafy typu rack.
- e Zamocuj przedłużenie z kartką wentylacyjną do słupków szafy typu rack za pomocą czterech śrub ❶.




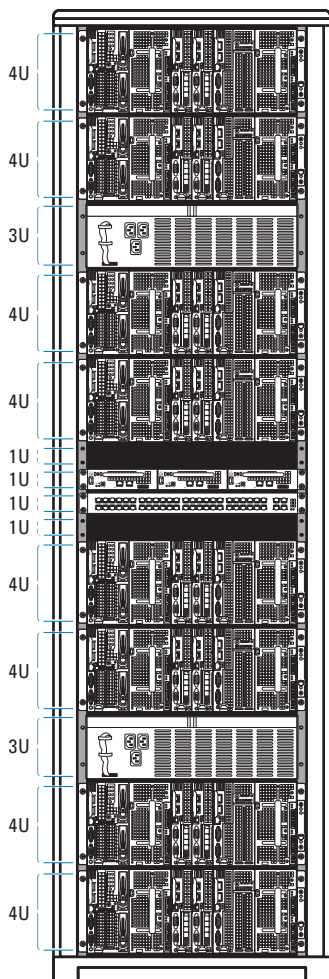
- 6 Korzystając z pomocy drugiej osoby, wsuń przewód wentylacyjny ❶ w przedłużenie z kratką wentylacyjną i zamocuj tylną część jednostki dystrybucji zasilania ❷ do słupków szafy typu rack za pomocą czterech śrub ❸.



Konfiguracja szafy serwerowej typu rack

Poniższa ilustracja przedstawia przykładową konfigurację z obudowami serwerowymi PowerEdge C8000, jednostkami dystrybucji zasilania (PDU), przełącznikiem i routerem w szafie typu rack o pojemności 42U.

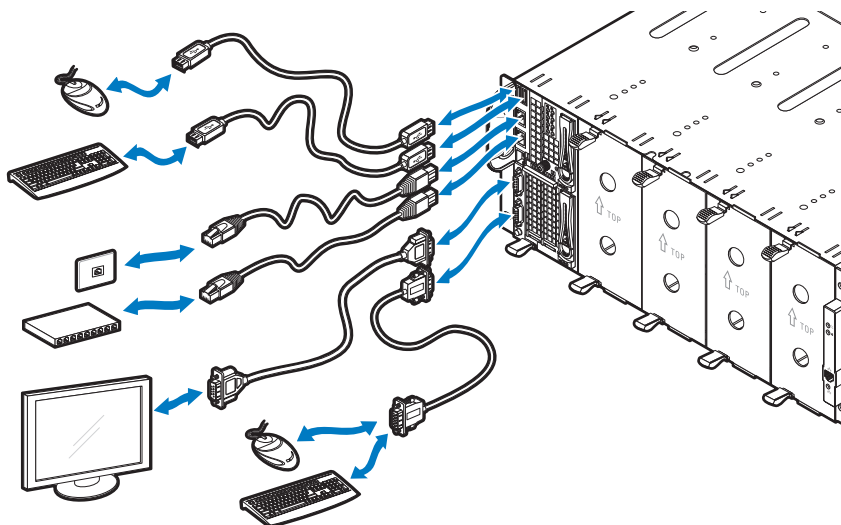
 **UWAGA:** Ilustracja konfiguracji szafy typu rack ma wyłącznie charakter informacyjny.



Podłączanie klawiatury, myszy i monitora

Podłącz klawiaturę, mysz oraz monitor do węzła obliczeniowego (opcjonalnie).

Poniższa rycina przedstawia przykładowy schemat podłączenia klawiatury, myszy oraz monitora do węzła przetwarzania danych C8220X o podwójnej szerokości.

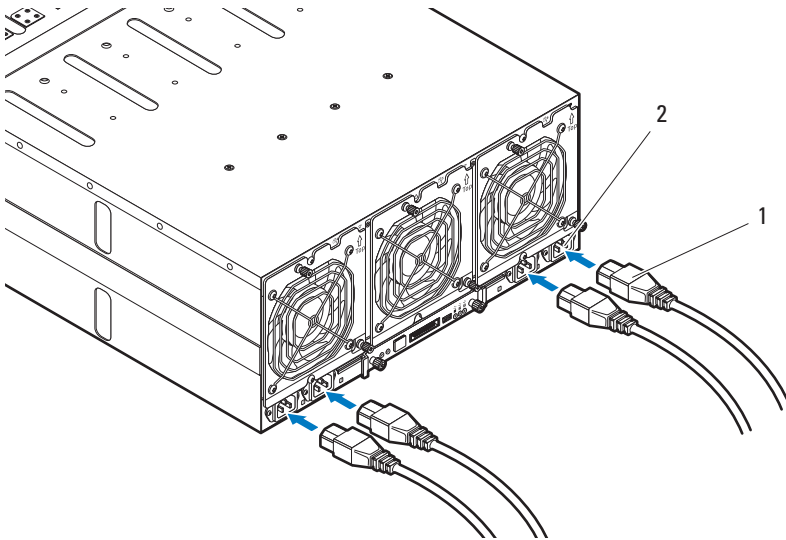


Podłączanie kabli zasilania

W tym rozdziale zawarto instrukcje dotyczące podłączania obudowy serwerowej z wewnętrznym lub zewnętrznym źródłem zasilania do zewnętrznej jednostki dystrybucji zasilania.

Obudowa serwerowa z wewnętrznym źródłem zasilania

- 1 Kable zasilania ❶ podłącz z tyłu obudowy do gniazd zasilania prądem zmiennym ❷.

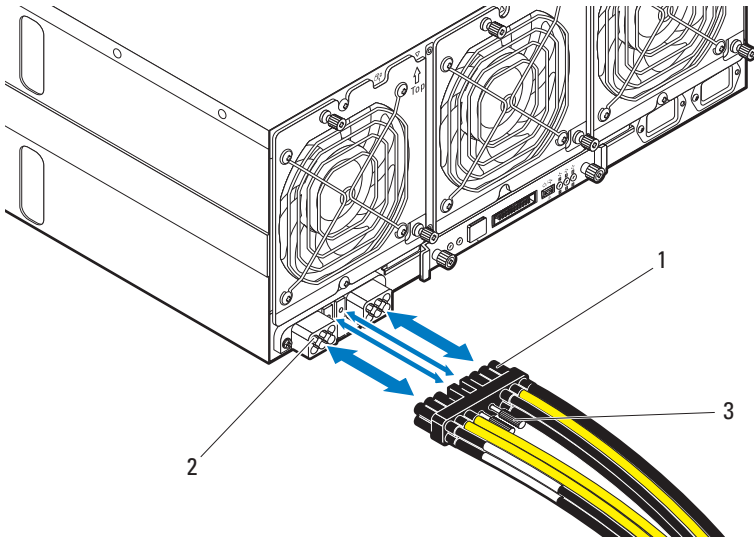


- 2 Podłącz drugi koniec kabli zasilania do uziemionego gniazdka elektrycznego lub oddzielnego źródła zasilania, np. do zasilania bezprzerwowego lub do jednostki rozdziału zasilania PDU.

Obudowa serwerowa z zewnętrznym źródłem zasilania

⚠ OSTRZEŻENIE: Przed podłączeniem kabli należy upewnić się, że wszystkie urządzenia są wyłączone.

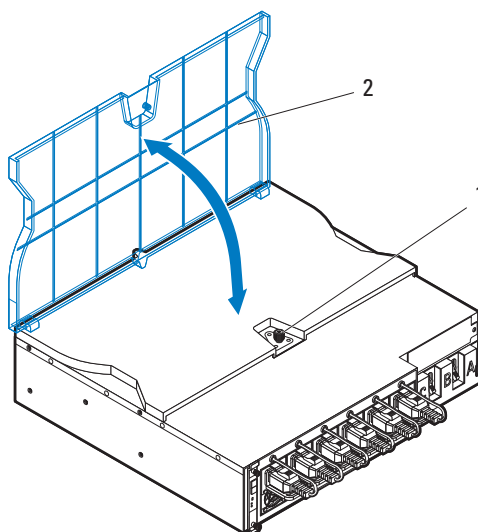
- 1 Kabel zasilania ❶ podłącz z tyłu obudowy do gniazda zasilania prądem stałym ❷.
- 2 Dokręć dwie śruby ❸ znajdujące się na środku wtyczki kabla, aby ją zamocować do obudowy.



Podłączanie obudowy serwerowej do jednostki dystrybucji zasilania w szafie typu rack

⚠ OSTRZEŻENIE: Nie wolno podłączać ani odłączać kabli zasilania od jednostki dystrybucji zasilania, gdy urządzenie znajduje się pod napięciem. Należy wyłączyć wyłączniki jednostki dystrybucji zasilania, aby zapobiec poważnym obrażeniom lub śmierci w wyniku porażenia prądem elektrycznym. Przesuń wyłączniki oznaczone literami A, B i C w pozycję „OFF”.

- 1 Odblokuj osłonę kabli ❶.
- 2 Podnieś osłonę ❷ i ustaw ją prostopadle do jednostki dystrybucji zasilania.



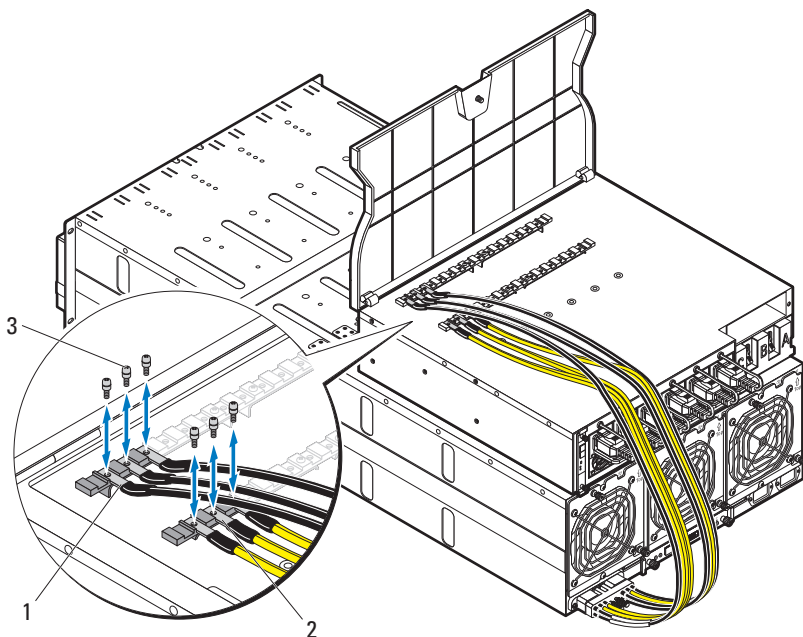
- 3 Podłącz kable zasilania obudów serwerowych do szyny zasilania jednostki dystrybucji zasilania.

🔧 UWAGA: Do jednostki dystrybucji zasilania można podłączyć maksymalnie pięć PowerEdge C8000 obudów serwerowych w zależności od konfiguracji systemu i dopuszczalnego obciążenia.

Aby podłączyć jedną obudowę serwerową do jednostki dystrybucji zasilania:

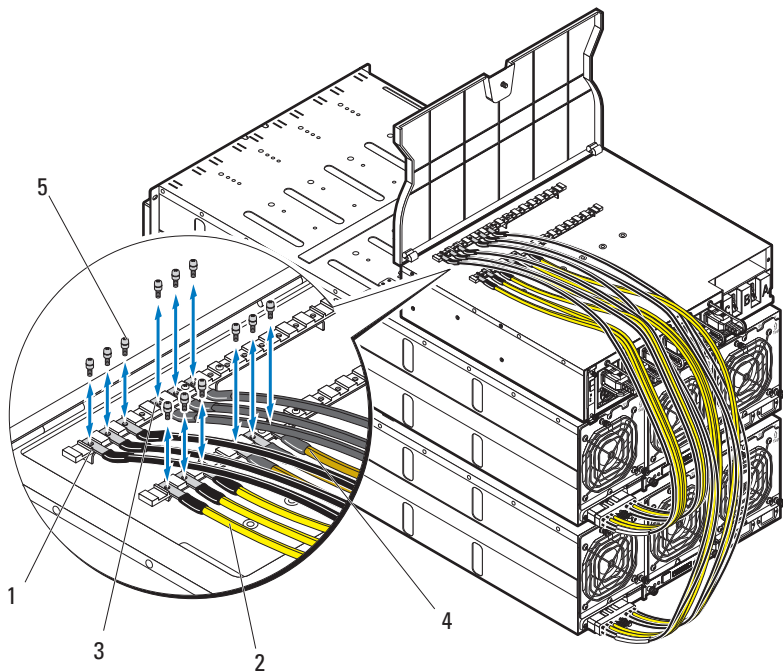
- a Zamocuj trzy czarne końcówki oczkowe kabla zasilania ❶ do górnej części szyny zasilania (GND) za pomocą trzech śrub ❸.

- b** Zamocuj trzy żółte końcówki oczkowe kabla zasilania **2** do dolnej części szyny zasilania za pomocą trzech śrub **3**.



Aby podłączyć wiele obudów serwerowych do jednostki dystrybucji zasilania:

- a** Zamocuj trzy czarne końcówki oczkowe kabla zasilania pierwszej obudowy serwerowej **1** do górnej części szyny zasilania (GND) za pomocą trzech śrub **5**.
- b** Zamocuj trzy żółte końcówki oczkowe kabla zasilania pierwszej obudowy serwerowej **2** do dolnej części szyny zasilania za pomocą trzech śrub **5**.
- c** Zamocuj trzy czarne końcówki oczkowe kabla zasilania drugiej obudowy serwerowej **3** do górnej części szyny zasilania (GND) za pomocą trzech śrub **5**.
- d** Zamocuj trzy żółte końcówki oczkowe kabla zasilania drugiej obudowy serwerowej **4** do dolnej części szyny zasilania za pomocą trzech śrub **5**.

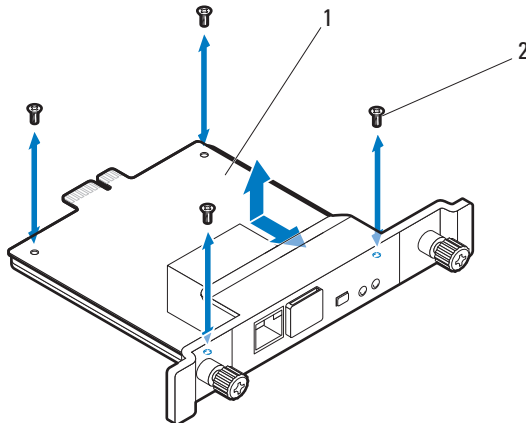


UWAGA: Upewnij się, że wszystkie kable zasilania są prawidłowo podłączone do szyny zasilania jednostki dystrybucji zasilania.

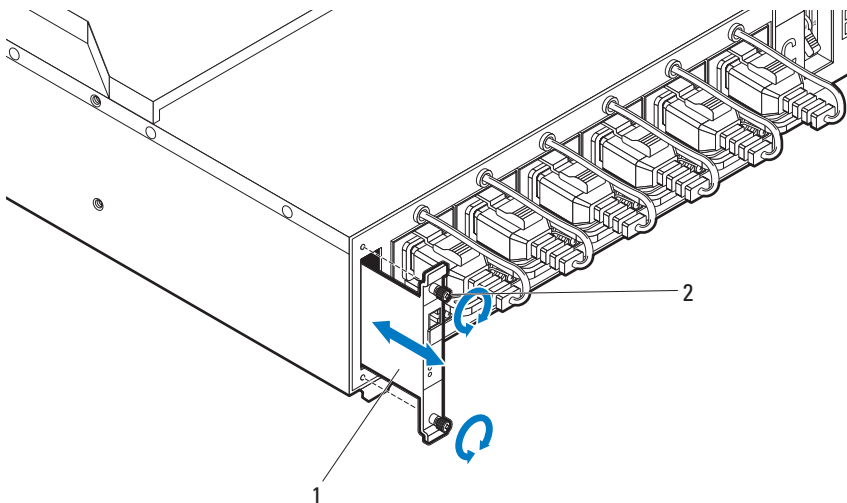
- 4 Zamknij osłonę kabli i zamocuj do jednostki dystrybucji zasilania.

Podłączanie jednostki dystrybucji zasilania do sieci

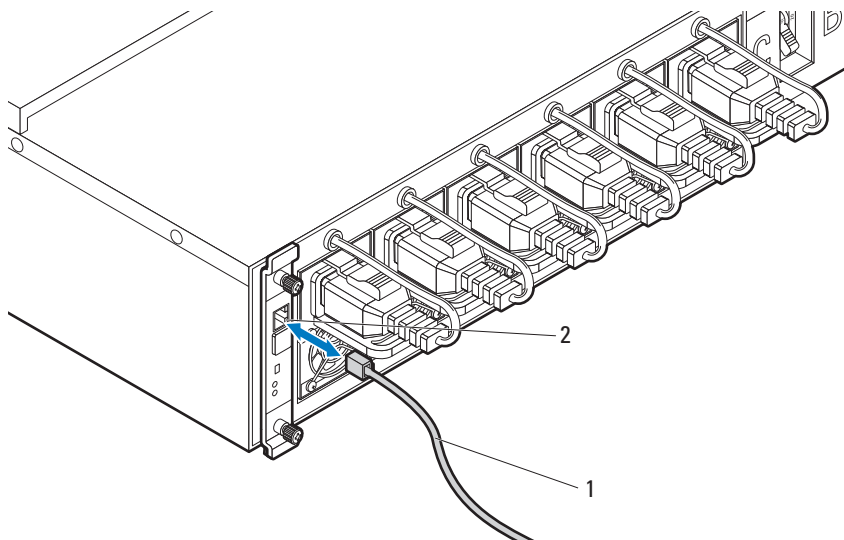
- 1** Zainstaluj kontroler zarządzania zasilaniem (PMC) w jednostce dystrybucji zasilania i podłącz go do sieci.
 - a** Zamocuj płytę kontrolera PMC **1** do szuflady kontrolera PMC za pomocą czterech śrub **2**.



- b** Włóż zespół PMC **1** do jednostki dystrybucji zasilania i zamocuj go dwoma śrubami dokręcanymi palcami **2**.



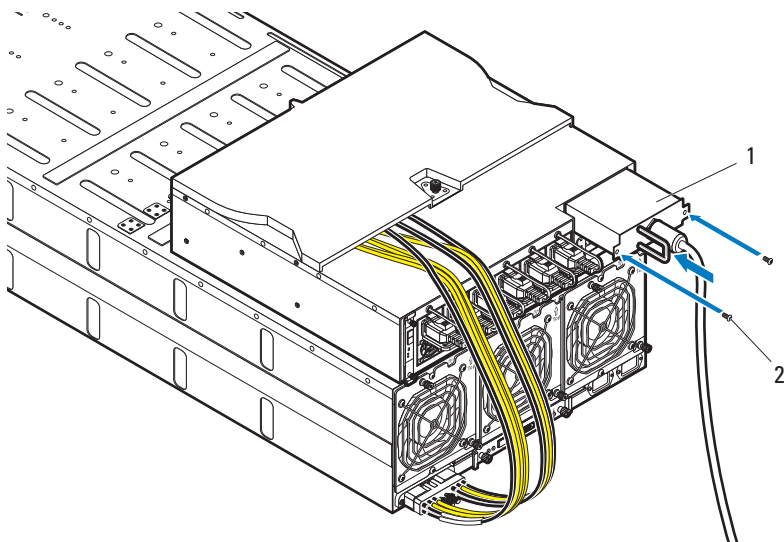
- c Podłącz kabel sieciowy ❶ do portu sieciowego (NIC 1) ❷.



Włączanie systemów

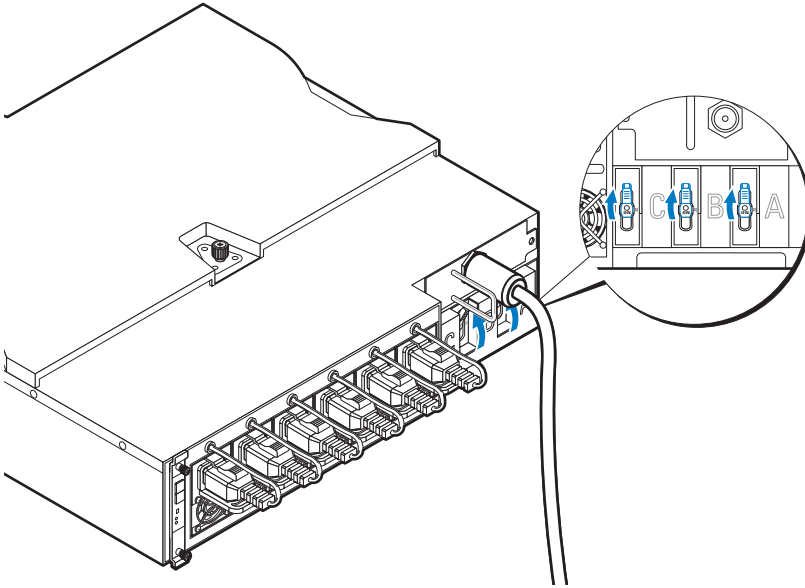
Włączanie jednostki dystrybucji zasilania

- 1** Zainstaluj moduł PCIB w jednostce dystrybucji zasilania.
 - a** Włóż moduł PCIB do wnęki na moduł PCIB **1**.
 - b** Zamocuj moduł PCIB do jednostki dystrybucji zasilania za pomocą dwóch śrub **2**.



- 2** Podłącz jednostkę dystrybucji zasilania do źródła zasilania.

- 3 Włącz wyłączniki jednostki dystrybucji zasilania, przesuwając wyłączniki oznaczone literami A, B i C w pozycję „ON”.



- 4 Aby umożliwić monitorowanie jednostki dystrybucji zasilania przez sieć, należy włączyć kontroler PMC, naciskając przycisk zasilania na płycie kontrolera PMC. Po zasileniu jednostki dystrybucji zasilania wskaźnik zasilania/stanu z przodu płyty kontrolera PMC zaświeci na zielono.

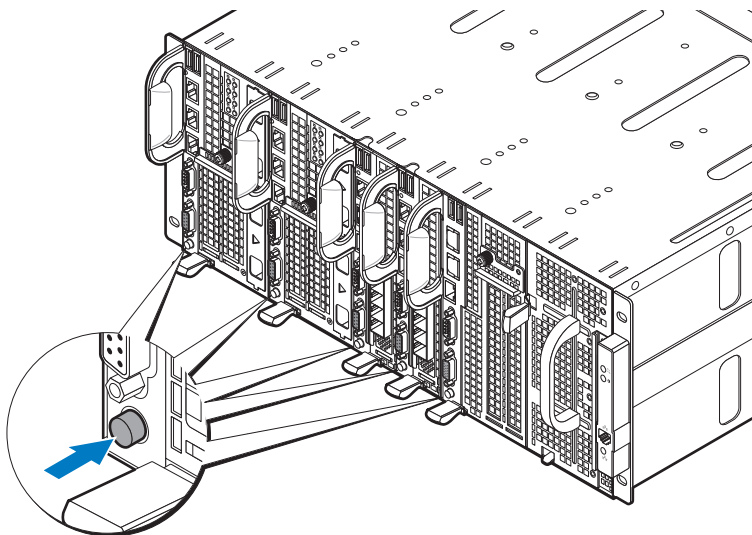
UWAGA: Ilustracje płyty kontrolera PMC i jednostki dystrybucji zasilania zawarte w tym przewodniku mają wyłącznie charakter informacyjny. Więcej informacji o danej płycie kontrolera PMC i jednostce dystrybucji zasilania można znaleźć w ich dokumentacji.

Włączanie obudowy serwerowej

Po podłączeniu do źródła zasilania, obudowa serwerowa jest zasilana w sposób automatyczny. Po podłączeniu obudowy serwerowej do zasilania, wskaźnik zasilania/zdarzeń na przednim panelu obudowy świeci się na zielono i wszystkie węzły serwerowe w obudowie są zasilane.

Włączanie węzłów

Aby włączyć węzły przetwarzania danych C8220 lub C8220X, naciśnij przycisk zasilania na każdym węźle lub włącz węzły za pomocą kontrolera zarządzania płytą główną. Po podłączeniu węzłów do zasilania, wskaźnik zasilania na przednim panelu węzłów zaświeci się na zielono. Węzeł pamięci masowej C8000XD po zainstalowaniu w obudowie serwerowej włącza się automatycznie. Zapoznaj się z dokumentem Podręcznik korzystania z kontrolera zarządzania zintegrowanego z płytą systemową na stronie dell.com/support/manuals.



Konfiguracja systemu operacyjnego

Przed rozpoczęciem instalowania systemu operacyjnego po raz pierwszy, zapoznaj się z dokumentacją dotyczącą instalacji i konfiguracji systemu operacyjnego. Upewnij się, że system operacyjny został zainstalowany przed instalacją sprzętu i oprogramowania niezakupionego wraz z komputerem.

Obsługiwane systemy operacyjne

- Citrix XenServer Enterprise wersja 5.6
- Citrix XenServer Enterprise wersja 6.1
- Microsoft Windows Server 2008 Enterprise wydanie 2 (64-bitowe)
- Microsoft Windows Server 2012
- Microsoft Windows HPC 2008 wydanie 2
- Microsoft HyperV
- Red Hat Enterprise Linux 6.1 (64-bitowy)
- Red Hat Enterprise Linux 6.3 (64-bitowy)
- SUSE Linux Enterprise Server 11 SP2 (64-bitowy)
- Ubuntu 12.04.1 LTS (64-bitowy)
- VMware ESXi 5.0
- VMware ESXi 5.0 U1
- VMware ESXi 5.0 U2
- VMware ESX 5.1
- VMware ESXi 5.1 U1



UWAGA: Najbardziej aktualne informacje na temat zgodnych systemów operacyjnych znajdują się na stronie dell.com/ossupport.

Inne przydatne informacje



OSTRZEŻENIE: Zobacz: uwagi dotyczące bezpieczeństwa i przepisów prawnych w dokumencie dostarczonym wraz z systemem. Informacje dotyczące gwarancji mogą zostać zamieszczone w tym dokumencie lub dostarczone jako oddzielny dokument.

- Informacje na temat funkcji obudowy serwerowej, rozwiązywania problemów i wymiany elementów znajdują się w Podręczniku użytkownika sprzętu PowerEdge C8000. Dokument ten jest dostępny na stronie dell.com/support/manuals.
- Informacje na temat funkcji systemu, rozwiązywania problemów i wymiany elementów znajdują się w Podręczniku użytkownika sprzętu PowerEdge C8220. Dokument ten jest dostępny na stronie dell.com/support/manuals.
- Informacje na temat funkcji systemu, rozwiązywania problemów i wymiany elementów znajdują się w Podręczniku użytkownika sprzętu PowerEdge C8220X. Dokument ten jest dostępny na stronie dell.com/support/manuals.
- Informacje na temat funkcji systemu, rozwiązywania problemów i wymiany elementów znajdują się w Podręczniku użytkownika sprzętu PowerEdge C8000XD. Dokument ten jest dostępny na stronie dell.com/support/manuals.
- Informacje na temat instalacji i zastosowania narzędzia zarządzania systemem znajdują się w Przewodniku kontrolera zarządzania zintegrowanego z płytą systemową. Dokument ten jest dostępny na stronie dell.com/support/manuals.



UWAGA: Należy zawsze sprawdzać, czy pojawiły się aktualizacje i czytać informacje w nich zawarte, ponieważ często zastępują one informacje zawarte w innych dokumentach.

Informacja NOM

PowerEdge C8000

Poniższe informacje dotyczące urządzenia opisanego w niniejszym dokumencie zostały przedstawione zgodnie z wymogami oficjalnych norm obowiązujących w Meksyku (NOM):

Importer:	Dell Inc. de México, S.A. de C.V. Paseo de la Reforma 2620–11° Piso Col. Lomas Altas 11950 Meksyk, D.F.
Numer modelu:	B10S
Napięcie zasilania:	200–240 V prądu zmiennego (z 4 zasilaczami prądu zmiennego 1400 W) lub 12 V prądu stałego (z zewnętrzną jednostką PDU)
Częstotliwość:	50–60 Hz
Pobór prądu:	9 A (x4) (z 4 zasilaczami prądu zmiennego 1400 W) lub 480 A (z zewnętrzną jednostką PDU)

PowerEdge C8220

Poniższe informacje dotyczące urządzenia opisanego w niniejszym dokumencie zostały przedstawione zgodnie z wymogami oficjalnych norm obowiązujących w Meksyku (NOM):

Importer:	Dell Inc. de México, S.A. de C.V. Paseo de la Reforma 2620–11° Piso Col. Lomas Altas 11950 Meksyk, D.F.
Numer modelu:	B05B
Napięcie zasilania:	12 V prądu stałego
Pobór prądu:	42 A

PowerEdge C8220X

Poniższe informacje dotyczące urządzenia opisanego w niniejszym dokumencie zostały przedstawione zgodnie z wymogami oficjalnych norm obowiązujących w Meksyku (NOM):

Importer:	Dell Inc. de México, S.A. de C.V. Paseo de la Reforma 2620–11° Piso Col. Lomas Altas 11950 Meksyk, D.F.
Numer modelu:	B06B
Napięcie zasilania:	12 V prądu stałego
Pobór prądu:	92 A

PowerEdge C8000XD

Poniższe informacje dotyczące urządzenia opisanego w niniejszym dokumencie zostały przedstawione zgodnie z wymogami oficjalnych norm obowiązujących w Meksyku (NOM):

Importer:	Dell Inc. de México, S.A. de C.V. Paseo de la Reforma 2620–11° Piso Col. Lomas Altas 11950 Meksyk, D.F.
Numer modelu:	B06B
Napięcie zasilania:	12 V prądu stałego
Pobór prądu:	30 A

Dane techniczne

Dane techniczne węzła przetwarzania danych (na każdy węzeł)	
Procesor	
Typ procesora	Dwa procesory Intel Xeon E5
Gniazdo procesora	Dwa LGA 2011
Chipset systemowy	
Koncentrator kontrolera platformy	Intel X79
Karta sieciowa	Intel i350-BT2
Kontroler grafiki	Aspeed AST2300
Pamięć	
Typ pamięci	DDR3 UDIMM, RDIMM, LRDIMM
Gniazda modułów pamięci	16 gniazdz DIMM
Pojemność modułów pamięci	Moduły RDIMM 2 GB, 4 GB, 8 GB, 16 GB i 32 GB
Minimalna pojemność pamięci RAM	512 MB UDIMM; 1 GB RDIMM
Maksymalna pojemność pamięci RAM	128 GB UDIMM; 256 GB RDIMM
Liczba kanałów pamięci (na każdy CPU)	4 kanały
Urządzenie pamięci masowej	
Węzeł przetwarzania danych PowerEdge C8220 o pojedynczej szerokości	<ul style="list-style-type: none">• 4 porty SATA 3 Gb/s• 2 porty SATA 6 Gb/s• 2 dyski twarde 2,5-calowe SATA
Węzeł przetwarzania danych PowerEdge C8220X o podwójnej szerokości	<ul style="list-style-type: none">• 4 porty SATA 3 Gb/s• 2 porty SATA 6 Gb/s• 2 dyski twarde 2,5-calowe SATA• 8 dysków twardych 2,5-calowych SAS/SATA lub 4 dyski twarde 3,5-calowe SAS/SATA• 2 dyski twarde 2,5-calowe SAS/SATA podłączane w trakcie pracy (2,5-calowe dyski twarde PowerEdge C8220X z dostępem z przodu, podłączane podczas pracy)

Dane techniczne węzła przetwarzania danych (na każdy węzeł) (ciąg dalszy)

Karta graficzna

Węzeł przetwarzania danych PowerEdge C8220X o podwójnej szerokości	PowerEdge C8220X z GPGPU/MIC <ul style="list-style-type: none">• NVIDIA Tesla M2090• NVIDIA Tesla K20• Intel Xeon Phi 5110P
--	---

Gniazda rozszerzeń

Węzeł przetwarzania danych PowerEdge C8220 o pojedynczej szerokości	<ul style="list-style-type: none">• Jedno gniazdo PCI Express 2.0 x16• Jedno gniazdo mezzanine x8
Węzeł przetwarzania danych PowerEdge C8220X o podwójnej szerokości	<ul style="list-style-type: none">• Dwa gniazda x8 PCI Express 3.0 (typ złącza x16)• Jedno gniazdo mezzanine x8
PowerEdge C8220X z węzłem przetwarzania danych GPGPU/MIC o podwójnej szerokości	<ul style="list-style-type: none">• Jedno gniazdo PCI Express 3.0 x16 za pośrednictwem jednej karty rozszerzeń• Jedno gniazdo PCI Express 3.0 x16 za pośrednictwem kabla• Jedno gniazdo mezzanine x8

Interfejsy

Port zarządzający BMC	1 z przodu
Kontroler NIC	Dwa porty sieciowe 1 Gb/s
Szeregowe	1 z przodu
VGA	1 z przodu
USB	2 z przodu
UID LED	1 z przodu

Zasilanie

Baterie	
Bateria systemu	Litowo-jonowa bateria pastylkowa CR 2032 o napięciu 3,0 V
Bateria RAID (opcjonalna)	Zestaw baterii litowo-jonowych o napięciu 3,7 V

Dane techniczne węzła pamięci masowej (na każdy węzeł)

**Konfiguracja napędów dysków
twardych węzła**

Tryb podwójnego portu (redundancja)	Nośnik standardowy
Tryb pojedynczego portu (bez redundancji)	<ul style="list-style-type: none">• Nośnik standardowy• Nośnik elastyczny• Nośnik rozszerzenia
Tryb rozszerzeń (bez stref/ dwie strefy/cztery strefy)	Nośnik rozszerzenia

Urządzenie pamięci masowej

Nośnik standardowy	12 dysków twardych 3,5-calowych SAS/SATA/SSD
Nośnik elastyczny	12 dysków twardych 2,5-calowych SAS/SATA/SSD
Nośnik rozszerzenia	24 dyski twarde 2,5-calowe SSD

Interfejs

Mini-SAS	4 z przodu
----------	------------

Dane techniczne węzła zasilacza (na każdy węzeł)

Interfejsy

Dioda zasilania	2 z przodu
Gniazdo kabla zasilania	2 złącza zasilacza prądu stałego (12 V & GND)

Moduł zasilacza (na każdy zasilacz)

Moc	1400 W
Złącze	IEC C20
Napięcie	200–240 V prądu zmiennego, 50–60 Hz, maks. 9 A
Emisja ciepła	1205 BTU/h maks.
Maks. natężenie prądu przy włączeniu	Przy typowym zasilaniu i w całym dozwolonym zakresie warunków pracy systemu, natężenie prądu przy włączeniu może osiągnąć 25 A na zasilacz przez 10 ms lub krócej.

Dane techniczne obudowy serwerowej

Cechy fizyczne

Wysokość	17,5 cm (6,9 cala)
Szerokość	44,7 cm (17,6 cala)
Głębokość	81,3 cm (32,0 cala)
Waga (bez wyposażenia)	17,93 kg (39,53 funta)

Obsługa węzłów

Obudowa serwerowa z wewnętrznym źródłem zasilania	<ul style="list-style-type: none">• Do 8 węzłów przetwarzania danych C8220 o pojedynczej szerokości• Do 4 węzłów przetwarzania danych C8220X o pojedynczej szerokości• Do 4 węzłów pamięci masowej C8000XD• Do 2 węzłów zasilacza
Obudowa serwerowa z zewnętrznym źródłem zasilania	<ul style="list-style-type: none">• Do 10 węzłów przetwarzania danych C8220 o pojedynczej szerokości• Do 5 węzłów przetwarzania danych C8220X o pojedynczej szerokości• Do 5 węzłów pamięci masowej C8000XD

Interfejsy

Kontroler NIC	Dwa porty sieciowe 10/100 Mb/s (1 z przodu, 1 z tyłu)
Szeregowe	1 z tyłu
Dioda zasilania/zdarzeń	2 (1 z przodu, 1 z tyłu)
UID LED	2 (1 z przodu, 1 z tyłu)
Dioda aktywności sieci Ethernet	1 z przodu
Czujnik termiczny	1 z przodu
Wskaźnik awarii modułu wentylatora systemu	3 z tyłu

Wentylatory systemu

Typ wentylatora	3 moduły wentylatorów (2 wentylatory na moduł/ogółem 6)
-----------------	---

Dane techniczne obudowy serwerowej (ciąg dalszy)

Zasilanie

Zasilacz prądu stałego

Napięcie

z zewnętrzną jednostką PDU 12 V DC, 50–60 Hz, maks. 680 A z sześcioma zasilaczami

Warunki otoczenia

UWAGA: Dodatkowe informacje o warunkach otoczenia przewidzianych dla poszczególnych konfiguracji systemu można znaleźć na stronie dell.com/environmental_datasheets.

Temperatura

W trakcie pracy Od 10°C do 35°C (od 50°F do 95°F) przy maksymalnym gradiencie temperaturowym 10°C na godzinę

Przechowywanie Od –40°C do 65°C (40°F do 149°F) przy maksymalnym gradiencie temperaturowym wynoszącym 20°C na godzinę

Wilgotność względna

W trakcie pracy 20% do 80% (bez kondensacji) przy maksymalnym gradiencie wilgotności wynoszącym 10% na godzinę

Przechowywanie Od 5% do 95% (bez kondensacji)

Maksymalne drgania

W trakcie pracy 0,26 Grms przy częstotliwości 5-350 Hz

Przechowywanie 1,87 Grms przy częstotliwości 10–500 Hz przez 15 min.

Maksymalny wstrząs

W trakcie pracy Jeden impuls wstrząsowy na dodatniej osi Z (jeden impuls po każdej stronie systemu) o sile 31 G trwający maksymalnie 2,6 ms w kierunku działania

Warunki otoczenia (ciąg dalszy)

Przechowywanie	Sześć kolejnych impulsów wstrząsowych na dodatniej i ujemnej stronie osi X, Y i Z (jeden impuls po każdej stronie systemu) o sile 71 G trwających maksymalnie 2 ms; Sześć kolejnych impulsów wstrząsowych na dodatniej i ujemnej stronie osi X, Y, Z (jeden wstrząs po każdej stronie systemu), uderzenie z przyspieszeniem 27 G zaokrągloną falą kwadratową przy zmianie prędkości rzędu 597 cm/s.
Wysokość n.p.m. W trakcie pracy	Od -16 do 3048 m (od -50 do 10 000 stóp) UWAGA: W przypadku wysokości n.p.m. powyżej 2950 stóp maksymalna temperatura, w jakiej urządzenie może pracować obniża się o 1°F na każde 550 stóp.
Przechowywanie	Od -16 do 10 600 m (od -50 do 35 000 stóp)
Poziom zanieczyszczeń w powietrzu	
Klasa	G1 wg definicji w ISA-S71.04-1985

Dell PowerEdge
C8000, C8220, C8220X
и C8000XD

**Начало работы
с системой**

Модель согласно нормативной
документации: V10S, V05B, V06B
Тип согласно нормативной
документации: V10S001, V05B001,
V06B001, V06B002



Примечания, предупреждения и предостережения



ПРИМЕЧАНИЕ: ПРИМЕЧАНИЕ указывает на важную информацию, которая поможет использовать компьютер более эффективно.



ВНИМАНИЕ: ВНИМАНИЕ указывает на риск повреждения оборудования или потери данных в случае несоблюдения инструкций.



ОСТОРОЖНО! ОСТОРОЖНО указывает на потенциальную опасность повреждения оборудования, получения легких травм или угрозу для жизни.

Информация, содержащаяся в данной публикации, может быть изменена без уведомления.
© 2013 Dell Inc. Все права защищены.

Воспроизведение материалов данного руководства в любой форме без письменного разрешения корпорации Dell Inc. строго запрещается.

Товарные знаки, использованные в данном тексте: Dell™, логотип DELL, Dell Precision™, OptiPlex™, Latitude™, PowerEdge™, PowerVault™, PowerConnect™, OpenManage™, EqualLogic™, KACE™, FlexAddress™ и Vostro™ являются товарными знаками Dell Inc. Intel®, Pentium®, Xeon®, Core™, Celeron® и Xeon Phi™ являются зарегистрированными товарными знаками корпорации Intel в США и в других странах. Microsoft®, Windows®, Windows Server®, MS-DOS® и Windows Vista® являются товарными знаками или зарегистрированными товарными знаками корпорации Майкрософт в США и/или других странах. Red Hat® и Red Hat® Enterprise Linux® являются зарегистрированными товарными знаками корпорации Red Hat, Inc. в США и/или других странах. Novell® — зарегистрированный товарный знак, а SUSE™ — товарный знак корпорации Novell Inc. в Соединенных Штатах и других странах. Oracle® i — зарегистрированный товарный знак корпорации Oracle Corporation и/или ее филиалов. Citrix®, Xen® и XenServer® и XenMotion® являются товарными знаками или зарегистрированными товарными знаками компании Citrix System в США и/или в других странах. VMware®, Virtual SMP®, vMotion®, vCenter®, и vSphere® являются зарегистрированными товарными знаками или товарными знаками корпорации VMWare, Inc. в США и в других странах. NVIDIA и Tesla™ являются товарными знаками и/или зарегистрированными товарными знаками компании NVIDIA Corporation. Ubuntu является зарегистрированным торговым знаком компании Canonical Ltd.

Прочие товарные знаки и названия продуктов могут использоваться в данной публикации для обозначения компаний, заявляющих права на эти товарные знаки и названия, или продуктов этих компаний. Dell Inc. не претендует на права собственности в отношении каких-либо товарных знаков и торговых наименований, кроме своих собственных.

Модель согласно нормативной документации: B10S, B05B, B06B

Тип согласно нормативной документации: B10S001, B05B001, B06B001, B06B002


Июль 2013 Инв. № NJK8N Ред. A04

ВНИМАНИЕ: Место ограниченного доступа

Этот сервер предназначен для установки только в помещениях с ограниченным доступом в соответствии с определением, когда применяются оба описанных ниже условия.

- Доступ предоставляется только техникам или пользователям, которые прошли инструктаж и ознакомлены с ограничениями, применяемыми в данном месте, а также с принимаемыми мерами предосторожности.
- Доступ осуществляется с помощью инструмента или замка с ключом, а также с помощью иных средств безопасности, и контролируется должностными лицами, несущими ответственность за данное место.

Установка и конфигурирование

 **ОСТОРОЖНО!** Перед выполнением следующей процедуры прочитайте инструкции по технике безопасности, прилагаемые к системе, и соблюдайте их.


Серверный шкаф PowerEdge C8000 — это легко настраиваемый и масштабируемый корпус типоразмера 4U, монтируемый в стойку. PowerEdge C8000 оснащен десятью вертикально настраиваемыми отсеками для выдвижных блоков, которые поддерживают шкафы с полноразмерными выдвижными блоками или блоками смешанных типов. Шкаф с полноразмерными выдвижными блоками может содержать до пяти двойных выдвижных вычислительных блоков C8220X, десяти одинарных вычислительных блоков C8220 и пяти выдвижных блоков хранения C8000XD. Шкаф с выдвижными блоками смешанных типов может поддерживать различные типы выдвижных блоков.

Рекомендуемые инструменты

Перед началом выполнения установки убедитесь в наличии следующего оборудования и инструментов:

- Отвертка Phillips №1
- Отвертка Phillips №2
- Заземляющий браслет, подключенный к шине заземления.
- Антистатический или антистатическая пена.


Распаковка системы


 **ОСТОРОЖНО!** Для поднятия системы необходимо прибегнуть к помощи других лиц. Во избежание телесных повреждений не пытайтесь поднимать систему самостоятельно.


 **ВНИМАНИЕ:** При работе с компонентами системы всегда используйте заземляющий браслет.


- 1 Подготовьте антистатический коврик или антистатическую пену, и установите на него серверный шкаф устройства PowerEdge C8000.
- 2 Распакуйте и поместите шкаф на антистатический коврик или антистатическую пену.
- 3 Сохраните картонные коробки для последующего использования.


Установка систем с неинструментальными направляющими

 **ОСТОРОЖНО!** Для поднятия системы необходимо прибегнуть к помощи других лиц. Во избежание телесных повреждений не пытайтесь поднимать систему самостоятельно.

 **ОСТОРОЖНО!** Система не прикреплена к стойке и не вставлена в направляющие. Чтобы не причинить вреда здоровью и избежать поломки системы, следует обеспечить адекватную опору системы во время установки и разборки.

 **ОСТОРОЖНО!** Для предотвращения поражения электрическим током при установке стойки требуется третий провод защитного заземления. Оборудование стойки должно обеспечивать достаточный обдув системы воздухом для ее надлежащего охлаждения.

 **ВНИМАНИЕ:** Штырьки на монтажных направляющих должны быть расположены заподлицо с опорами стойки для надлежащей установки.

 **ПРИМЕЧАНИЕ:** Монтажные направляющие стойки обозначены маркировкой «LEFT» (левая) и «RIGHT» (правая). Монтажная направляющая, обозначенная словом «LEFT» (левая), крепятся к левой опоре а направляющая, обозначенная словом «RIGHT» (правая), крепятся к правой опоре, стоя лицом к стойке.

- 1 Определите, где следует расположить монтажные направляющие в стойке. Убедитесь, что в стойке достаточно пространства для корпуса 4U. В стандартной стойке высота корпуса 4U перекрывает 12 отверстий на опоре.

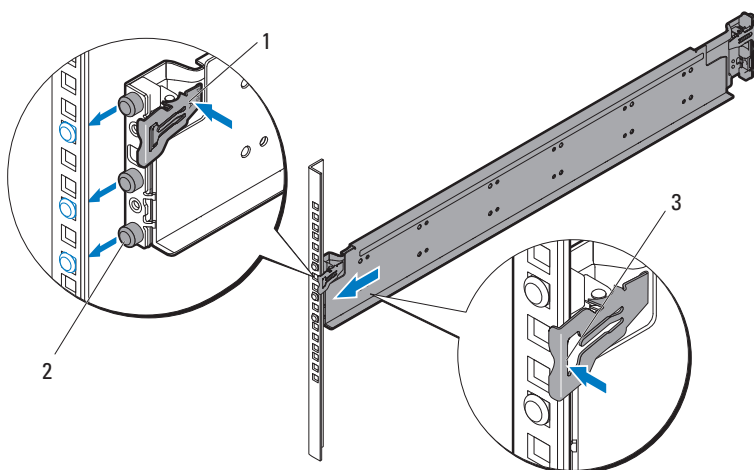
- 2 Используйте маркировку на левой и правой стороне монтажной направляющей для ее правильной ориентации по отношению к опорам стойки.
- 3 Установите левую монтажную направляющую и фиксирующий кронштейн на стойке.
 - a Установите монтажную направляющую, обозначенную маркировкой «LEFT» (левая), таким образом, чтобы ее монтажные отверстия были совмещены с опорами стойки.
 - b Нажмите и удержите в нажатом состоянии кнопку защелки монтажной направляющей ❶ чтобы отпереть защелку, расположенную на переднем конце направляющей.
 - c Совместите три штырька ❷ с монтажными отверстиями на передней поверхности опоры стойки.
 - d Отпустите кнопку ❸ после того как она войдет в переднюю опору стойки.



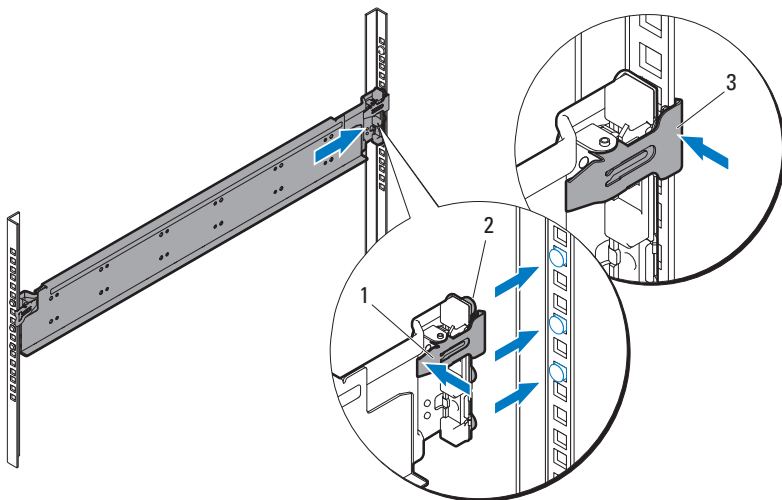
ПРИМЕЧАНИЕ: Убедитесь, что кнопка защелки зафиксировалась надлежащим образом.



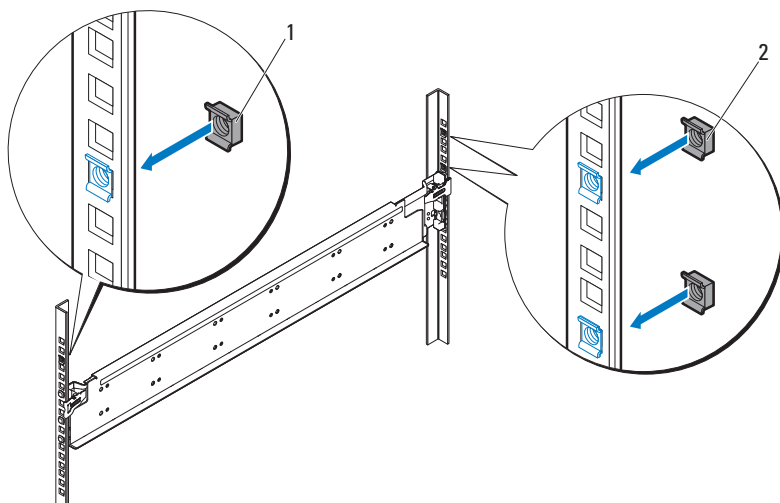
ПРИМЕЧАНИЕ: Эти направляющие могут использоваться как в стойках с квадратными отверстиями, так и в стойках с круглыми отверстиями.



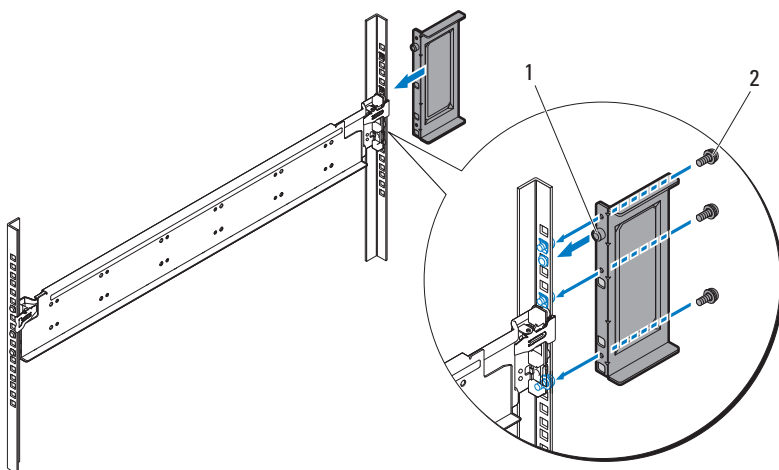
- e Нажмите и удержите в нажатом состоянии кнопку защелки направляющей рейки ❶ чтобы отпереть защелку, находящуюся на заднем конце рейки.
- f Совместите три штырька ❷ с монтажными отверстиями на задней опоре стойки.
- g Отпустите кнопку ❸ после того как она войдет в заднюю опору стойки.



- h Установите одну закладную гайку ❶ в переднюю опору стойки, и две закладных гайки ❷ в заднюю опору стойки.



- i Совместите фиксирующий кронштейн **1** с задней опорой стойки и закрепите его с помощью трех винтов 10-32 **2**. Применяйте к винтам вращающий момент 35 дюймофунтов.



- 4 Установите правую монтажную направляющую и фиксирующий кронштейн на стойке.

Используя ту же самую процедуру, установите правую направляющую рейку и фиксирующий кронштейн на противоположной стороне стойки.



ПРИМЕЧАНИЕ: Чтобы извлечь направляющие рейки, нажмите и удержите кнопку защелки, которая находится в середине торца, и расфиксируйте каждую рейку.

Установка системы

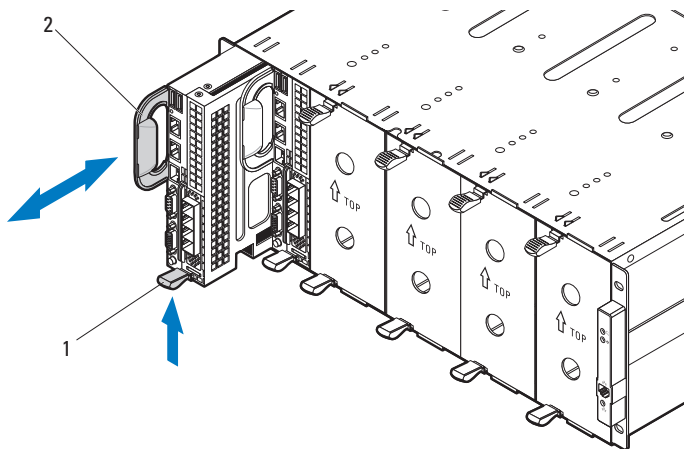
В данном разделе имеются следующие подразделы.

- Разборка системы
- Установите систему в стойку
- Нумерация отсеков для блоков
- Сборка системы
- Установите внешний БРП в стойку
- Конфигурация стойки

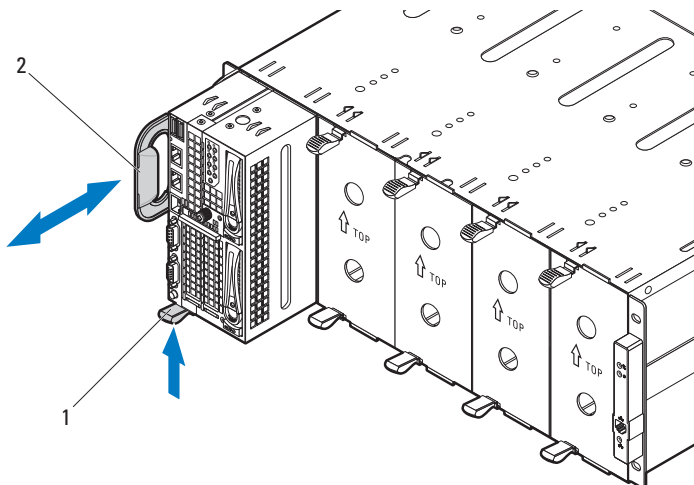
Разборка системы

Перед установкой серверного шкафа PowerEdge C8000 на стойку удалите из него все выдвижные блоки, чтобы уменьшить вес системы и предотвратить травмирование персонала при работе. Установите все выдвижные блоки на антистатический коврик или антистатическую пену.

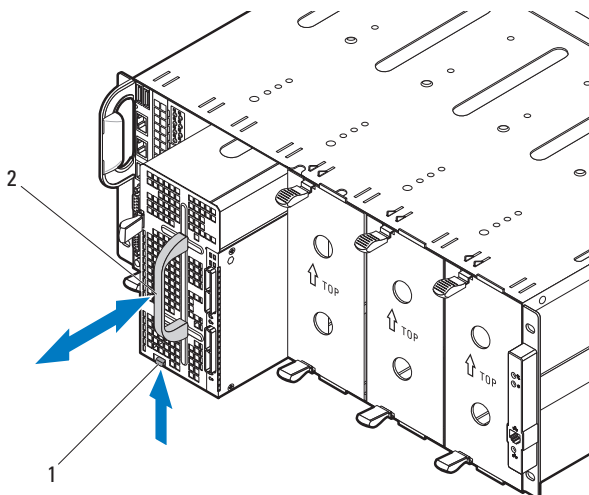
- Чтобы удалить одинарный вычислительный блок C8220, потяните за защелку ❶ и, используя ручку ❷ извлеките блок из шкафа.



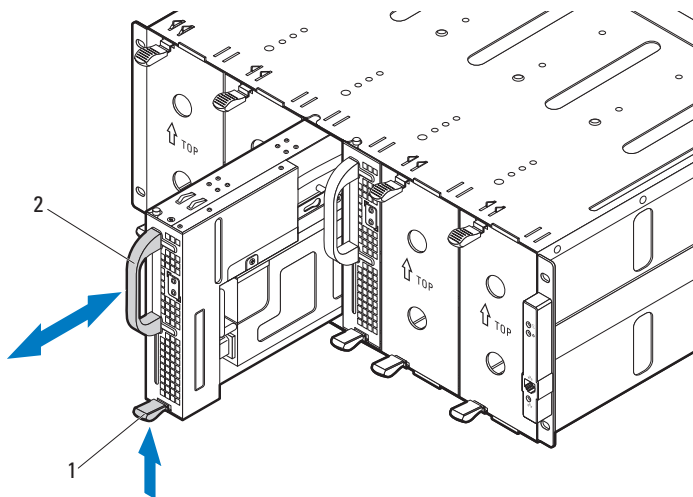
- Чтобы удалить двойной вычислительный блок C8220X, потяните за защелку ❶ и, используя ручку ❷ извлеките блок из шкафа.



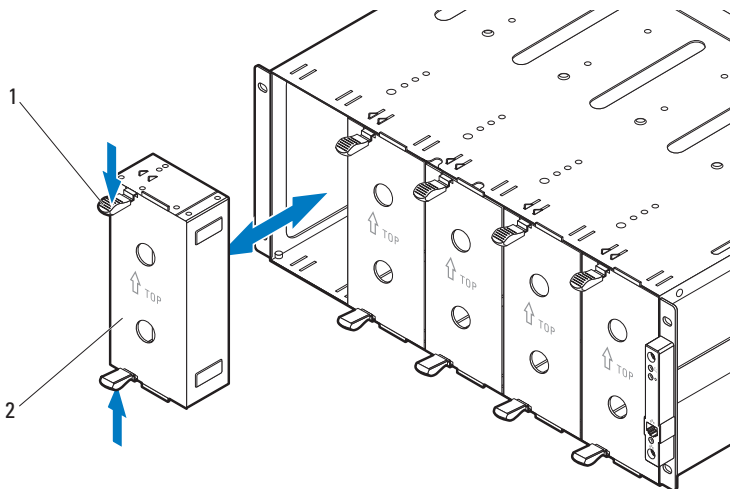
- Чтобы удалить выдвижной блок хранения C8000XD, потяните за защелку ❶ и, используя ручку ❷ извлеките блок из шкафа.



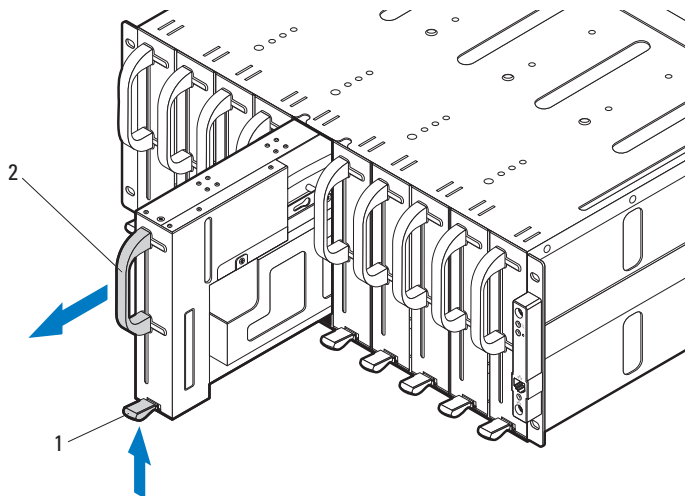
- Чтобы удалить выдвижной блок питания, потяните за защелку ❶ и, используя ручку ❷, извлеките блок из шкафа.



- Чтобы удалить пустой двойной выдвижной блок, нажмите и удержите защелки ❶ в нажатом состоянии и извлеките блок из шкафа ❷.



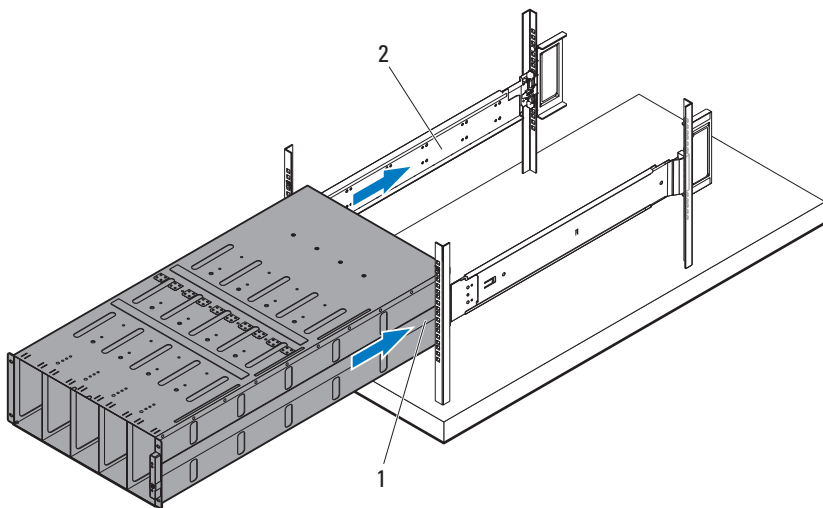
- Чтобы удалить пустой одинарный выдвижной блок, нажмите и удержите защелку **1** и, используя ручку **2** извлеките блок из шкафа.



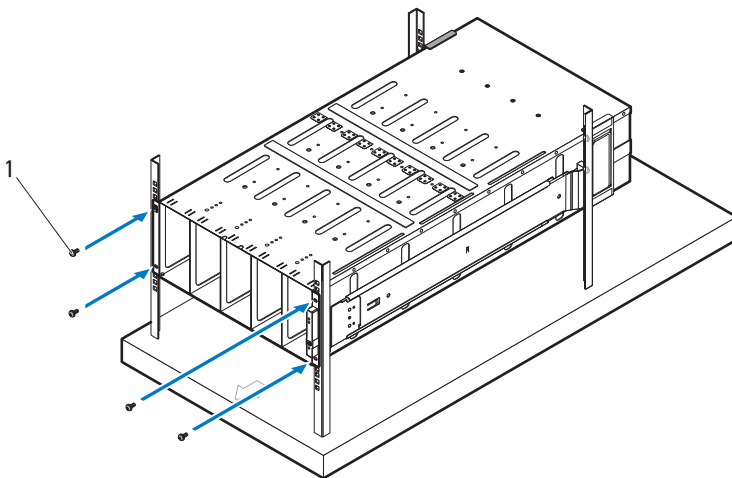
Установите систему в стойку

⚠ ОСТОРОЖНО! Для поднятия системы необходимо прибегнуть к помощи других лиц. Во избежание телесных повреждений не пытайтесь поднимать систему самостоятельно.

- 1 Вместе с помощником совместите серверный шкаф **1** с направляющими рейками **2** и вставьте его в стойку до упора.

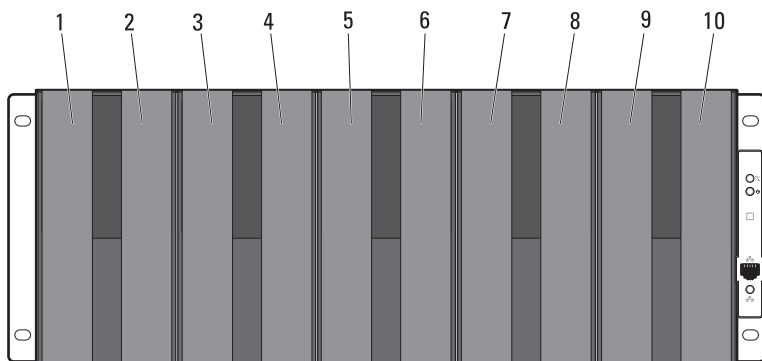


- 2 Прикрепите переднюю часть шкафа к левой и правой опорам стойки с помощью четырех винтов 10-32 **1**.



Нумерация отсеков для блоков

Серверный шкаф PowerEdge C8000 разделен на десять вертикальных отсеков. Одинарный выдвижной вычислительный блок C8220 занимает один отсек для блоков в серверном шкафу, а двойной выдвижной вычислительный блок C8220X или блок хранения C8000XD занимает два отсека для блоков в серверном шкафу. При установке модуля выдвижного блока в серверный шкаф сначала необходимо установить модуль выдвижного блока в отсек для блоков 1, продвигаясь к правой части шкафа.



Тип модуля выдвижного блока	Отсеки для блоков									
	1	2	3	4	5 ^a	6 ^a	7	8	9	10
Одинарный выдвижной вычислительный блок C8220	√	√	√	√	√	√	√	√	√	√
Двойной выдвижной вычислительный блок C8220X	√		√		√		√		√	
Выдвижной блок хранения данных C8000XD отсек ^b	√		√		√		√		√	
Выдвижной блок питания ^c	—	—	—	—	√	√	—	—	—	—

a В отсеки для блоков 5 и 6 можно установить 2 выдвижных блока питания или 2 выдвижных вычислительных блока C8220, или комбинацию таких блоков.

b При использовании серверного шкафа с внутренним источником питания выдвижные блоки хранения данных C8000XD можно устанавливать только в отсеки 3-10.

c Выдвижные блоки питания можно устанавливать только в отсеки 5 и 6.

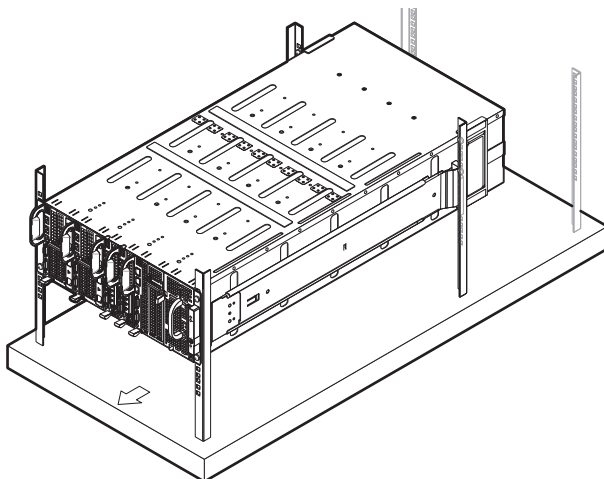
Сборка системы

△ **ВНИМАНИЕ:** Чтобы обеспечить надлежащую эксплуатацию и охлаждение, все отсеки в шкафу должны быть всегда заполнены выдвижными блоками или пустыми выдвижными блоками.

△ **ВНИМАНИЕ:** Для обеспечения надлежащего охлаждения системы следует установить заглушки во все незанятые отсеки дисководов.

Установите все компоненты в серверный шкаф PowerEdge C8000.

- Чтобы установить одиночный выдвижной вычислительный блок C8220, вставьте новый выдвижной блок в шкаф до упора и щелчка защелки.
- Чтобы установить двойной выдвижной вычислительный блок C8220X, вставьте новый выдвижной блок в шкаф до упора и щелчка защелки.
- Чтобы установить выдвижной блок хранения C8000XD, вставьте новый выдвижной блок в шкаф до упора и щелчка защелки.
- Чтобы установить выдвижной блок питания, вставьте новый выдвижной блок в шкаф до упора и щелчка защелки.
- Чтобы установить пустой двойной выдвижной блок, вставьте пустой выдвижной блок в шкаф до упора, так чтобы сработали защелки.
- Чтобы установить пустой одинарный выдвижной блок, вставьте пустой выдвижной блок в шкаф до упора, так чтобы сработала защелка.



Установите внешний БРП в стойку

! **ОСТОРОЖНО!** Для поднятия системы необходимо прибегнуть к помощи других лиц. Во избежание телесных повреждений не пытайтесь поднимать систему самостоятельно.

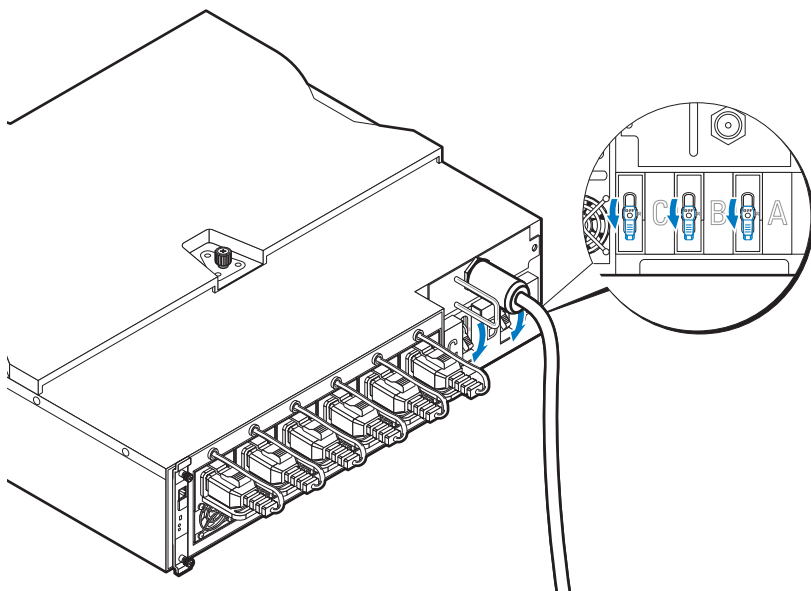
🔧 **ПРИМЕЧАНИЕ:** Изображения БРП приводятся только для справки. Дополнительная информация о БРП приводится в соответствующей документации.

🔧 **ПРИМЕЧАНИЕ:** Монтажные кронштейны БРП имеют маркировку «L» (левый) и «R» (правый). Направляющая с маркировкой «L» крепится к левой части БРП, а направляющая с маркировкой «R» – к правой части БРП.

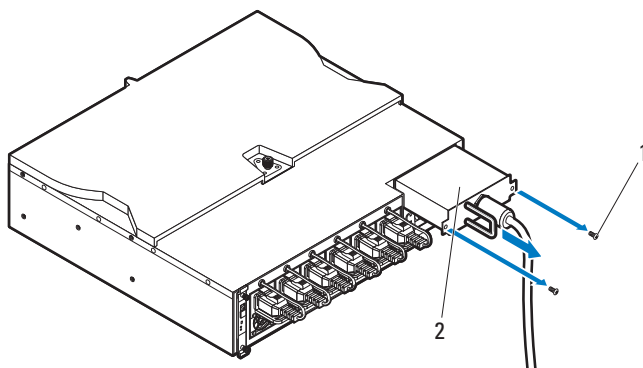
! **ОСТОРОЖНО!** Не подключайте и не отключайте кабели питания к БРП в то время как БРП находится под напряжением.

! **ОСТОРОЖНО!** Выключите разъединители БРП, чтобы избежать потенциально серьезного или смертельного поражения электрическим током.

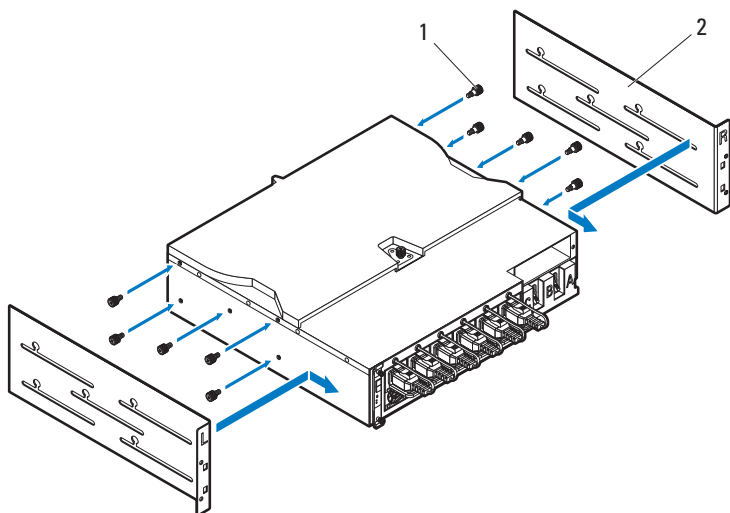
- 1 Выключите разъединители БРП, переместив разъединители А, В и С в положение «OFF» (ВЫКЛ).



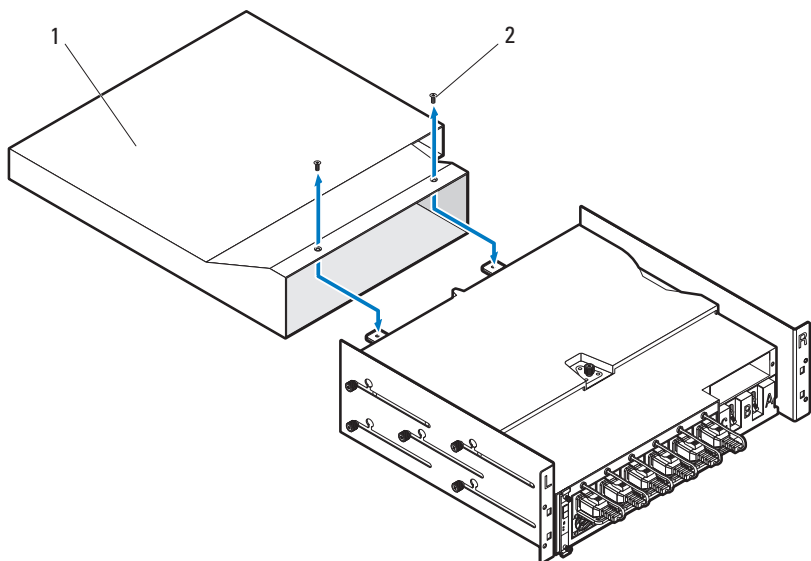
- 2 Отключите БРП от источника питания.
- 3 Извлеките модуль согласующей соединительной коробки сетевого кабеля (РСІВ).
 - a Извлеките два винта ❶, с помощью которых крепится модуль РСІВ.
 - b Возьмитесь за ручку модуля РСІВ и выдвиньте его из отсека ❷.



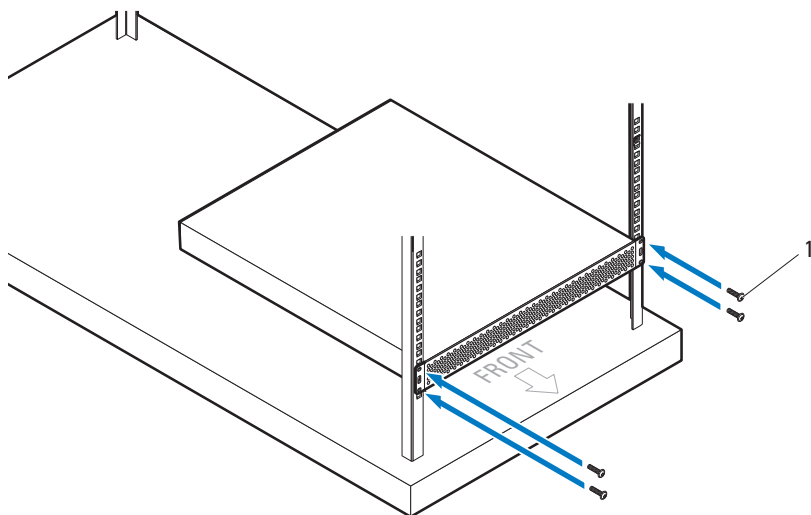
- 4 Прикрепите монтажные кронштейны к боковым поверхностям БРП.
 - a Прикрепите десять винтов ❶ к правой и левой боковой поверхности БРП.
 - b Установите левый монтажный кронштейн с маркировкой «L» таким образом, чтобы отверстия для винтов были совмещены с винтами на БРП и сдвиньте монтажный кронштейн по направлению к задней части БРП до тех пор, пока он не встанет на место ❷.
 - c Установите правый монтажный кронштейн с маркировкой «R» таким образом, чтобы отверстия для винтов были совмещены с винтами на БРП и сдвиньте монтажный кронштейн по направлению к задней части БРП до тех пор, пока он не встанет на место ❷.



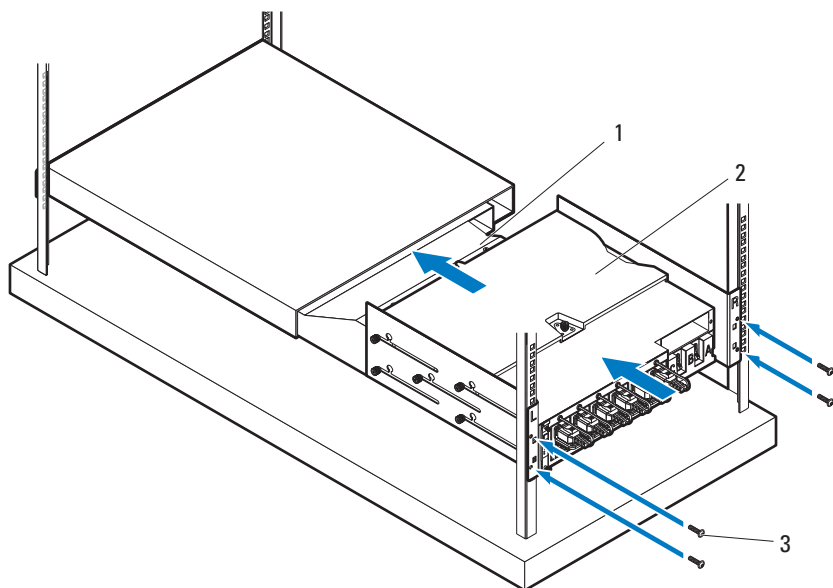
- 5** Установите воздухозаборную трубку на БРП.
- a** Извлеките воздушный патрубок из воздухозаборной трубки.
 - b** Совместите воздушный патрубок **1** с передней частью БРП.
 - c** Прикрепите воздушный патрубок к передней части БРП с помощью двух винтов **2**.



- d** Совместите воздухозаборную трубку с опорами стойки.
- e** Прикрепите воздухозаборную трубку к опорам стойки с помощью четырех винтов ❶.



- 6 С помощью напарника задвиньте воздушный патрубок ❶ в воздухозаборную трубку и прикрепите заднюю часть БП ❷ к опорам стойки с помощью четырех винтов ❸.

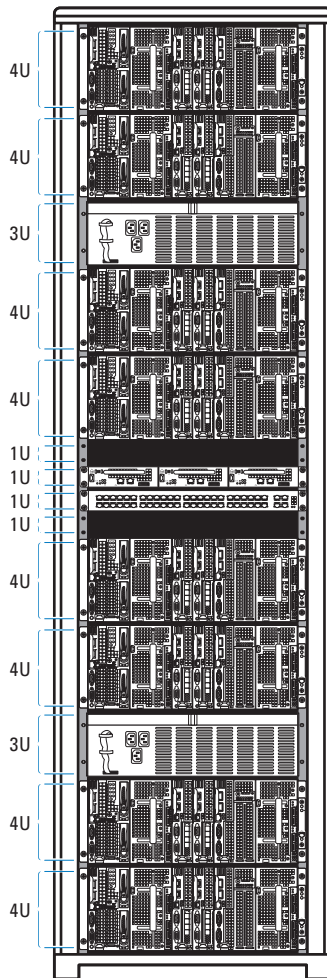


Конфигурация стойки

На следующем рисунке показан пример конфигурации стойки с серверными шкафом PowerEdge C8000, блоками распределения питания (БП), коммутатора и маршрутизатора в стойке 42U.



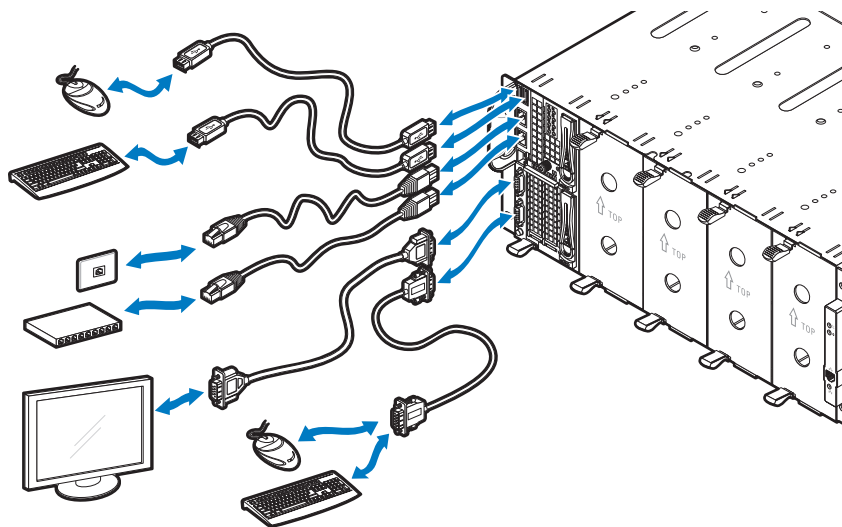
ПРИМЕЧАНИЕ: Иллюстрация конфигурации стойки представлена только для справки.



Подключение клавиатуры, мыши и монитора.

Подключите клавиатуру, мышь и монитор к выдвижному вычислительному блоку (необязательно).

На представленном ниже рисунке показан пример подключения клавиатуры, мыши и монитора к двойному выдвижному вычислительному блоку C8220X.

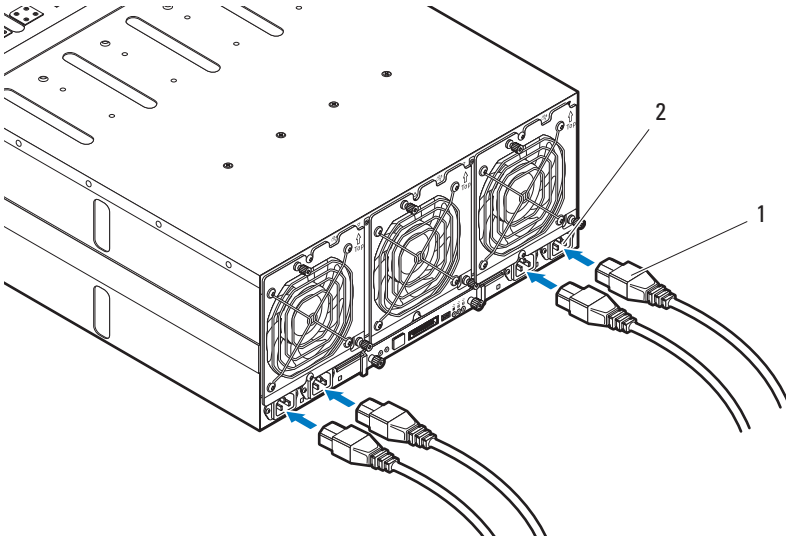


Подключение силовых кабелей

В данном разделе приводятся инструкции по подключению кабеля питания к серверному шкафу со встроенным или внешним БРП.

Серверный шкаф со встроенным источником питания

- 1 Подключите кабели питания ❶ к гнездам питания переменного тока, расположенным на задней панели шкафа ❷.

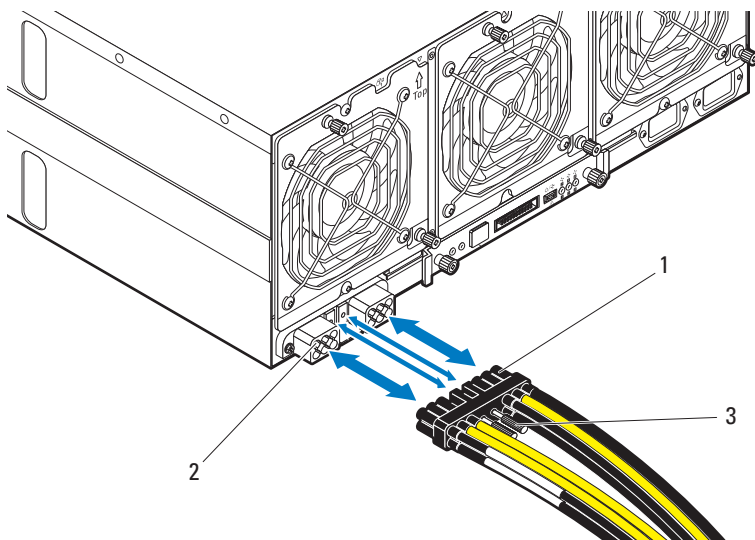


- 2 Другие концы кабелей питания подключите к заземленной розетке или отдельному источнику питания, например источнику бесперебойного питания или к БРП.

Серверный шкаф с внешним источником питания

⚠ ОСТОРОЖНО! Перед подключением убедитесь, что подача питания ко всем устройствам отключена.

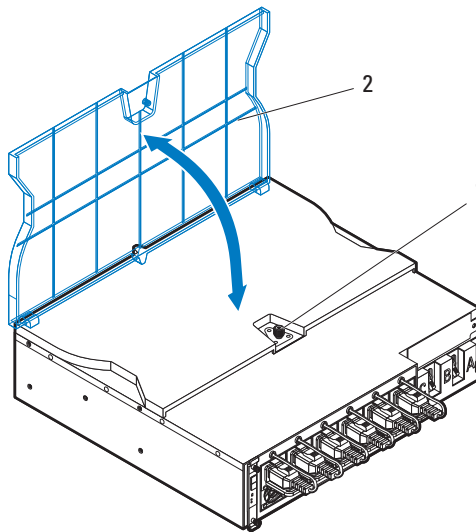
- 1 Подключите кабель питания **1** к гнезду питания постоянного тока, расположенному на задней панели шкафа **2**.
- 2 Для обеспечения надежного соединения закрутите два центральных винта **3** на кабеле.



Подключение серверного шкафа к БРП стойки

⚠ ОСТОРОЖНО! Не подключайте и не отключайте кабели питания к БРП в то время как БРП находится под напряжением. Выключите разъединители БРП, чтобы избежать потенциально серьезного или смертельного поражения электрическим током. Переместите разъединители БРП А, В и С в положение «OFF» (ВЫКЛ).

- 1 Откройте крышку кабельного отсека ❶.
- 2 Поверните крышку ❷ назад по направлению от БРП.



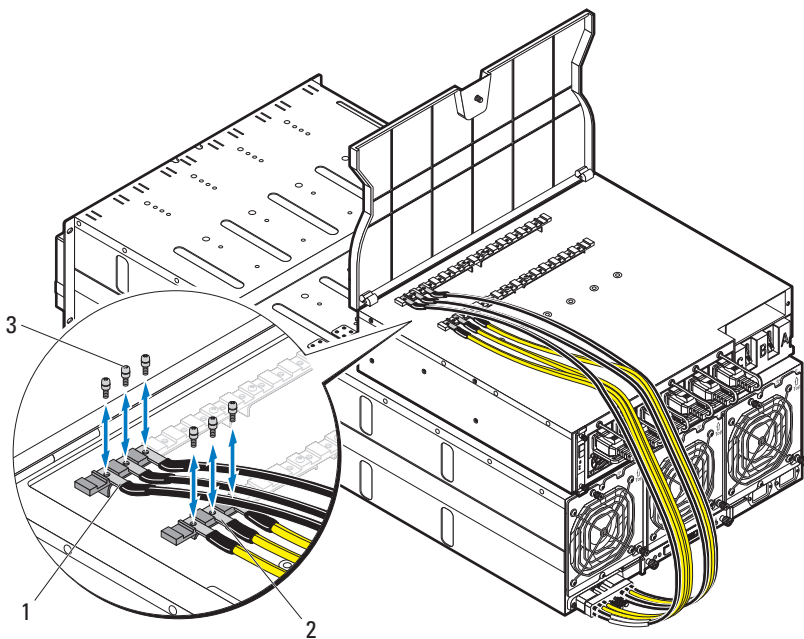
- 3 Подсоедините силовые кабели серверного шкафа (-ов) к шине питания БРП.



ПРИМЕЧАНИЕ: БРП поддерживает до пяти PowerEdge C8000 серверных шкафов в зависимости от конфигурации системы и энергетического потенциала сети.

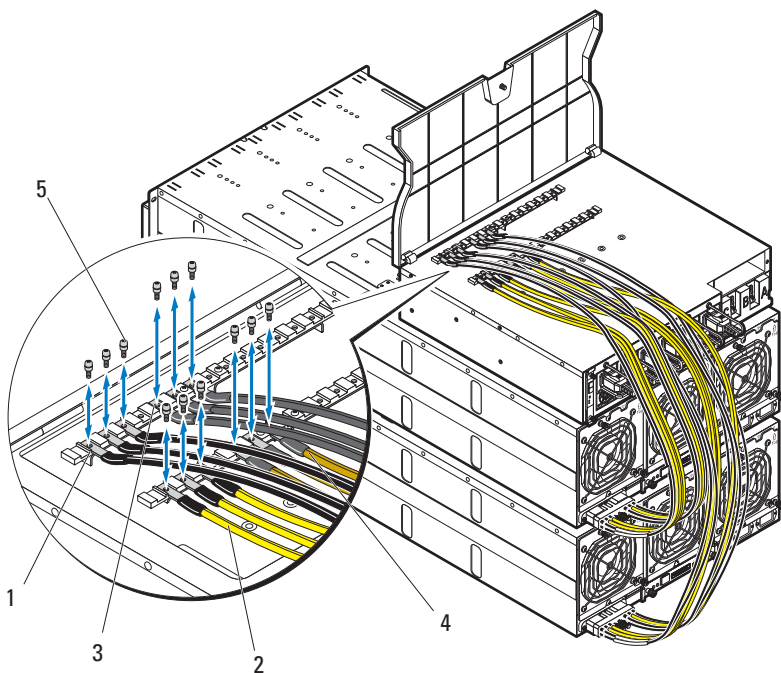
Подключение одиночного серверного шкафа к БРП:


- a Прикрепите три черных кабельных наконечника ❶ к верхней шине (с заземлением) тремя винтами ❸.
- b Прикрепите три желтых кабельных наконечника ❷ к нижней шине тремя винтами ❸.



Подключение нескольких серверных шкафов к БРП:

- a** Прикрепите три черных кабельных наконечника **1** первого серверного шкафа к верхней шине (с заземлением) тремя винтами **5**.
- b** Прикрепите три желтых кабельных наконечника **2** первого серверного шкафа к нижней шине тремя винтами **5**.
- c** Прикрепите три черных кабельных наконечника **3** первого серверного шкафа к верхней шине (с заземлением) тремя винтами **5**.
- d** Прикрепите три желтых кабельных наконечника **4** второго серверного шкафа к нижней шине тремя винтами **5**.

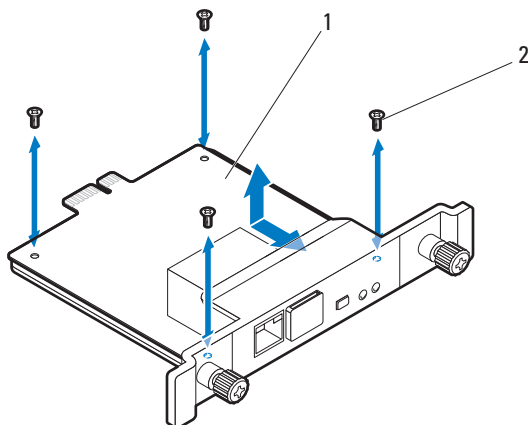


 **ПРИМЕЧАНИЕ:** Убедитесь, что все силовые кабели правильно и надежно подключены к шинам питания БРП.

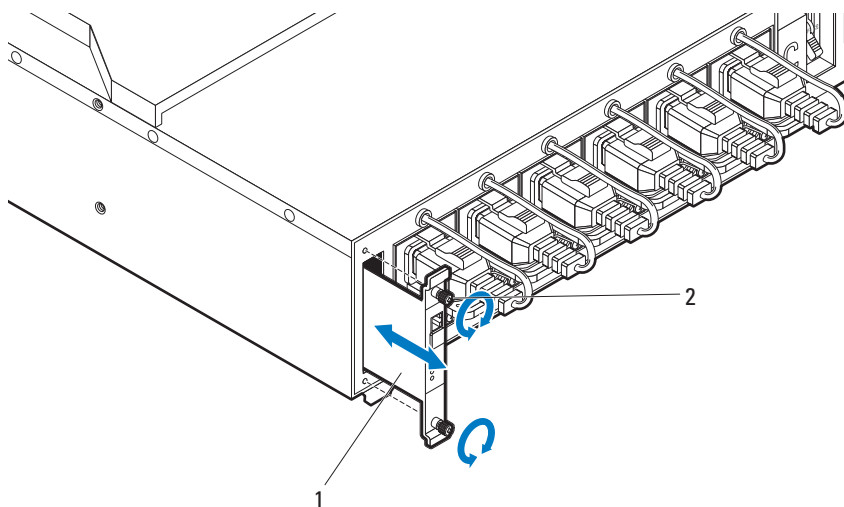
- 4 Закройте крышку кабельного отсека и прикрепите ее к БРП.

Подключение БРП к сети

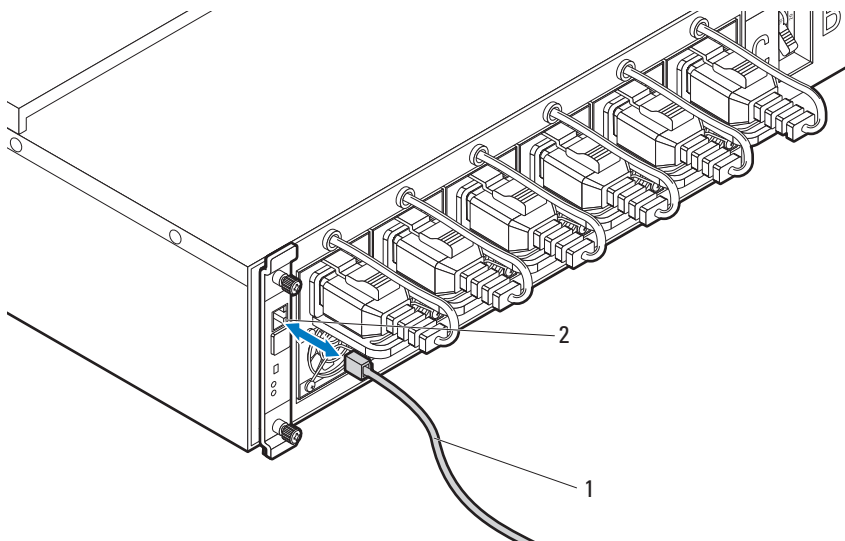
- 1** Установите контроллер управления питанием (РМС) в БРП и подключите его к сети.
 - а** Прикрепите плату РМС **1** к лотку РМС с помощью четырех винтов **2**.



- б** Установите собранный модуль РМС **1** в БРП и закрепите его с помощью двух барашковых винтов **2**.



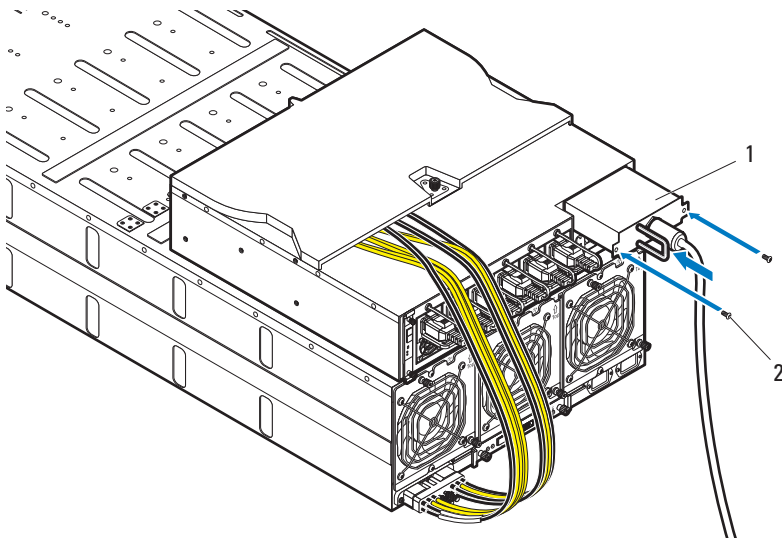
с Подключите сетевой кабель ❶ к порту NIC 1 ❷.



Включение системы

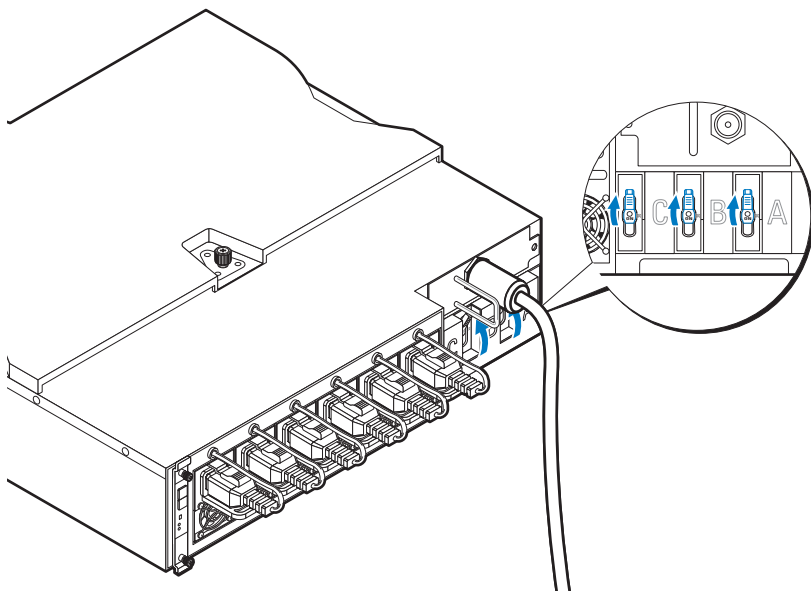
Включение БРП

- 1** Установите модуль РСІВ в БРП.
 - a** Установите модуль РСІВ в отсек РСІВ **❶**.
 - b** Прикрепите модуль РСІВ к БРП с помощью двух винтов **❷**.




- 2** Подключите БРП к источнику питания.

- 3 Включите разъединители БРП, переместив разъединители А, В и С в положение «ON» (ВКЛ).



- 4 Чтобы включить мониторинг БРП по сети, включите плату РМС, нажав на кнопку питания, расположенную на плате РМС. Когда на БРП подается питание, индикатор питания/статуса на передней поверхности платы РМС загорается зеленым цветом.

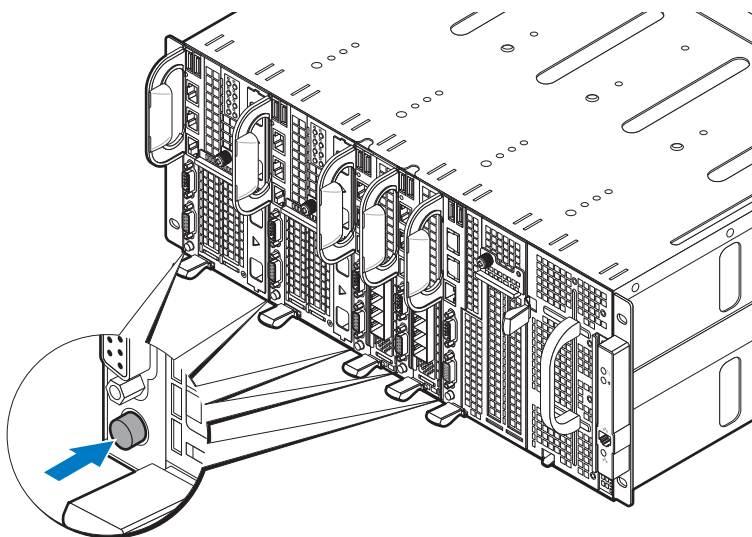
 **ПРИМЕЧАНИЕ:** Изображения платы РМС и БРП приводятся в данном руководстве только для справки. Дополнительная информация о плате РМС БРП приводится в соответствующей документации.

Включение серверного шкафа

При подключении к источнику питания автоматически подается питание на серверный шкаф. После того как серверный шкаф будет подключен к источнику питания, индикатор питания/события на передней панели шкафа загорится зеленым цветом, после чего питание будет подано на все выдвижные блоки шкафа.

Включение выдвижных блоков

Чтобы включить выдвижной вычислительный блок C8220 или C8220X, нажмите кнопку питания на каждом из выдвижных блоков или включите выдвижной блок с помощью основного контроллера управления. После подачи питания на выдвижной блок индикатор питания на передней панели выдвижного блока загорится зеленым цветом. После установки в серверный шкаф выдвижной блок хранения C8000XD включается автоматически. См. руководство по эксплуатации контроллера управления основной платой на сайте dell.com/support/manuals.



Завершение установки операционной системы

Чтобы установить операционную систему, см. документацию по установке и конфигурированию операционной системы. Операционная система должна быть установлена до установки аппаратного или программного обеспечения, которое не было приобретено вместе с системой.

Поддерживаемые операционные системы

- Citrix XenServer Enterprise Edition 5.6
- Citrix XenServer Enterprise Edition 6.1
- Microsoft Windows Server 2008 Enterprise Edition R2 (64-разрядная версия)
- Microsoft Windows Server 2012
- Microsoft Windows HPC 2008 R2
- Microsoft HyperV
- Red Hat Enterprise Linux 6.1 (64-разрядная версия)
- Red Hat Enterprise Linux 6.3 (64-разрядная версия)
- SUSE Linux Enterprise Server 11 с пакетом обновления 2 (64-разрядная версия)
- Ubuntu 12.04.1 LTS (64-разрядная версия)
- VMware ESXi 5.0
- VMware ESXi 5.0 U1
- VMware ESXi 5.0 U2
- VMware ESX 5.1
- VMware ESXi 5.1 U1



ПРИМЕЧАНИЕ: Наиболее актуальную информацию о поддерживаемых операционных системах см. на веб-странице dell.com/ossupport.

Прочая полезная информация



ОСТОРОЖНО! Прочитайте документацию по обеспечению безопасности и соответствию нормативным требованиям, которая входит в комплект поставки системы. Информация о гарантии может входить в состав данного документа или предоставляться в виде отдельного документа.

- Сведения о функциях сервера, устранении неполадок и замене компонентов см. в руководстве пользователя оборудования PowerEdge C8000. Данный документ доступен на веб-странице **dell.com/support/manuals**.
- Сведения о функциях системы, устранении неполадок и замене компонентов см. в руководстве пользователя оборудования PowerEdge C8220. Данный документ доступен на веб-странице **dell.com/support/manuals**.
- Сведения о функциях системы, устранении неполадок и замене компонентов см. в руководстве пользователя оборудования PowerEdge C8220X. Данный документ доступен на веб-странице **dell.com/support/manuals**.
- Сведения о функциях системы, устранении неполадок и замене компонентов см. в руководстве пользователя оборудования PowerEdge C8000XD. Данный документ доступен на веб-странице **dell.com/support/manuals**.
- В Руководстве по использованию основного контроллера управления приведена информация об установке и использовании системных управляющих утилит. Данный документ доступен на веб-странице **dell.com/support/manuals**.



ПРИМЕЧАНИЕ: Рекомендуется регулярно проверять наличие обновлений и в первую очередь изучать содержащуюся в них информацию, поскольку часто она заменяет информацию в других документах.

Сведения о мексиканских стандартах (NOM)

PowerEdge C8000

В соответствии с требованиями официальных мексиканских стандартов (NOM), на устройстве, описанном в данном документе, указывается указанная ниже информация.

Импортер:	Dell Inc. de México, S.A. de C.V. Paseo de la Reforma 2620-11° Piso Col. Lomas Altas 11950 México, D.F.
Номер модели:	B10S
Напряжение в сети:	200—240 В переменного тока (с четырьмя блоками питания мощностью 1400 Вт переменного тока) или 12 В постоянного тока (с внешним блоком распределения питания)
Частота:	50—60 Гц
Потребляемый ток:	9 А (x4) (с четырьмя блоками питания мощностью 1400 Вт переменного тока) или 480 А (с внешним блоком распределения питания)

PowerEdge C8220

В соответствии с требованиями официальных мексиканских стандартов (NOM), на устройстве, описанном в данном документе, указывается указанная ниже информация.

Импортер:	Dell Inc. de México, S.A. de C.V. Paseo de la Reforma 2620-11° Piso Col. Lomas Altas 11950 México, D.F.
Номер модели:	B05B
Напряжение в сети:	12 В переменного тока
Потребляемый ток:	42 А

PowerEdge C8220X

В соответствии с требованиями официальных мексиканских стандартов (NOM), на устройстве, описанном в данном документе, указывается указанная ниже информация.

Импортер:	Dell Inc. de México, S.A. de C.V. Paseo de la Reforma 2620-11° Piso Col. Lomas Altas 11950 México, D.F.
Номер модели:	B06B
Напряжение в сети:	12 В переменного тока
Потребляемый ток:	92 А

PowerEdge C8000XD

В соответствии с требованиями официальных мексиканских стандартов (NOM), на устройстве, описанном в данном документе, указывается указанная ниже информация.

Импортер:	Dell Inc. de México, S.A. de C.V. Paseo de la Reforma 2620-11° Piso Col. Lomas Altas 11950 México, D.F.
Номер модели:	B06B
Напряжение в сети:	12 В переменного тока
Потребляемый ток:	30 А

Технические характеристики

Технические характеристики выдвижного вычислительного блока (на один блок)

Процессор

Тип процессора	Два процессора Intel Xeon серии E5
Гнездо процессора	Два гнезда LGA 2011

Набор микросхем

Контроллер-концентратор платформы	Intel X79
Сетевой контроллер	Intel i350-BT2
Видеоконтроллер	Aspeed AST2300

Память

Тип оперативной памяти	DDR3 UDIMM, RDIMM, LRDIMM
Разъемы для модулей памяти	16 гнезд DIMM
Емкость модулей памяти	2 ГБ, 4 ГБ, 8 ГБ, 16 ГБ и 32 ГБ для модулей RDIMM
Минимальный объем ОЗУ	512 МБ UDIMM; 1 ГБ RDIMM
Максимальный объем ОЗУ	128 ГБ для модулей UDIMM; 256 ГБ для модулей RDIMM
№ каналов памяти (на один процессор)	4 канала

Устройство хранения

Одинарный выдвижной вычислительный блок PowerEdge C8220	<ul style="list-style-type: none">• 4 порта SATA 3 Гбит/с• 2 порта SATA 6 Гбит/с• 2 жестких диска SATA, 2,5 дюйма
---	---

Технические характеристики выдвижного вычислительного блока (на один блок) (продолжение)

Двойной выдвижной вычислительный блок PowerEdge C8220X	<ul style="list-style-type: none">• 4 порта SATA 3 Гбит/с• 2 порта SATA 6 Гбит/с• 2 жестких диска SATA, 2,5 дюйма• 8 жестких дисков SAS/SATA, 2,5 дюйма, или 4 жестких диска SAS/SATA, 3,5 дюйма• 2 оперативно подключаемых жестких диска SAS/SATA, 2,5 дюйма (PowerEdge C8220X с оперативно- подключаемыми жесткими дисками 2,5 дюйма с доступом спереди)
--	--

Видеоплата

Двойной выдвижной вычислительный блок PowerEdge C8220X	PowerEdge C8220X с графическим процессором общего назначения <ul style="list-style-type: none">• NVIDIA Tesla M2090• NVIDIA Tesla K20• Intel Xeon Phi 5110P
--	---

Разъемы расширения

Одинарный выдвижной вычислительный блок PowerEdge C8220	<ul style="list-style-type: none">• Один разъем x16 PCI Express 2.0• Один мезонинный разъем x8
Двойной выдвижной вычислительный блок PowerEdge C8220X	<ul style="list-style-type: none">• Два слота x8 PCI Express 3.0 (тип разъема x16)• Один мезонинный разъем x8
PowerEdge C8220X двойной ширины с графическим процессором общего назначения (GPGPU)/многоядерной расширенной процессорной системой (MIC) вычислительная платформа	<ul style="list-style-type: none">• Один разъем x16 PCI Express 3.0 в виде одиночной карты riser• Один разъем x16 PCI Express 3.0 в виде кабеля• Один мезонинный разъем x8

Интерфейсы

Порт управления BMC	1 фронтальный
NIC	Два порта NIC 1 Гбит/с

Технические характеристики выдвижного вычислительного блока (на один блок) (продолжение)

Последовательный порт	1 фронтальный
VGA	1 фронтальный
Шина USB	2 фронтальных
UID LED	1 фронтальный

Питание

Аккумуляторные батареи

Системная аккумуляторная батарея	Литиевая батарейка типа «таблетка» CR 2032, 3,0 В
Аккумулятор RAID (заказывается дополнительно)	Блок ионно-литиевых батарей на 3,7 В

Технические характеристики выдвижного блока хранения (на один блок)

Конфигурация выдвижного блока жестких дисков

Двухпортовый режим (с резервированием)	Стандартный держатель
Однопортовый режим (без резервирования)	<ul style="list-style-type: none">• Стандартный держатель• Гибкий держатель• Держатель с возможностью расширения
Режим расширения (нет зон/ 2 зоны/4 зоны)	Держатель с возможностью расширения

Устройство хранения

Стандартный держатель	12 жестких дисков SAS/SATA/SSD, 3,5 дюйма
Гибкий держатель	12 жестких дисков SAS/SATA/SSD, 2,5 дюйма
Держатель с возможностью расширения	24 жестких диска SSD, 2,5 дюйма

ИНТЕРФЕЙС

Mini-SAS	4 фронтальных
----------	---------------

Технические характеристики выдвижного блока питания (на один блок)

Интерфейсы

Индикатор питания	2 фронтальных
Разъем питания	2 разъема постоянного тока (12 В с заземлением)

Модуль питания (для каждого блока питания)

Мощность	1400 Вт
Разъем	IEC C20
Напряжение	200—240 В переменного тока, 50—60 Гц, 9 А (максимальные значения)
Теплоотдача	1205 БТЕ/ч макс.
Максимальный бросок тока	При стандартных параметрах питающей сети и во всем рабочем диапазоне внешних параметров системы бросок тока может достигать не более 25 А на блок питания в течение не более 10 мс.

Технические характеристики серверного шкафа

Физические характеристики

Высота	17,5 см (6,9 дюйма)
Ширина	44,7 см (17,6 дюйма)
Длина	81,3 см (32,0 дюйма)
Масса (пустой)	17,93 кг (39,53 фунта)

Поддержка выдвижных блоков

Серверный шкаф со встроенным источником питания	<ul style="list-style-type: none">• До 8 одинарных выдвижных вычислительных блоков C8220• До 4 одинарных выдвижных вычислительных блоков C8220X• До 4 выдвижных блоков хранения данных C8000XD• До 2 выдвижных блоков питания
---	--

Технические характеристики серверного шкафа (продолжение)

Серверный шкаф с внешним БРП	<ul style="list-style-type: none">• До 10 одинарных выдвижных вычислительных блоков С8220• До 5 одинарных выдвижных вычислительных блоков С8220Х• До 5 выдвижных блоков хранения данных С8000ХD
------------------------------	---

Интерфейсы

NIC	Два порта NIC 10/100 Мбит/с (1 фронтальный, 1 задний)
Последовательный порт	1 задний
Светодиодный индикатор питания/события	2 (1 фронтальный, 1 задний)
UID LED	2 (1 фронтальный, 1 задний)
Светодиодный индикатор активности Ethernet	1 фронтальный
Датчик температуры	1 фронтальный
Светодиодный индикатор сбоя модуля вентилятора системы	3 задних

Вентиляторы системы

Тип вентилятора	3 модуля вентиляторов (2 вентилятора на один модуль/всего 6)
-----------------	--

Питание

Источник питания постоянного тока

Напряжение

с внешним блоком распределения питания

12 В пост. тока, 50–60 Гц, макс. 680 А с 6 БП

Условия эксплуатации и хранения

ПРИМЕЧАНИЕ: Дополнительную информацию о параметрах окружающей среды для установки определенной конфигурации системы см. на веб-странице www.dell.com/environmental_datasheets.

Температура

В процессе работы	От 10 до 35 °C (50 °F до 95 °F) с максимальной скоростью изменения температуры 10 °C в час
Хранение	От -40 до 65 °C (40 °F до 149 °F) с максимальной скоростью изменения температуры 20 °C в час

Относительная влажность

В процессе работы	От 20% до 80% (без конденсации) с максимальным изменением влажности 10% в час.
Хранение	От 5 % до 95 % (без образования конденсата)

Максимальная вибрация

В процессе работы	0,26 G (среднекв.) при 5–350 Гц
Хранение	1,87 G (среднекв.) при 10–500 Гц в течение 15 мин

Максимальная ударная нагрузка

В процессе работы	Один ударный импульс 31 g длительностью не более 2,6 мс в положительном направлении по оси z (по одному импульсу с каждой стороны системы) при рабочей ориентации
Хранение	Шесть последовательных ударных импульсов в 71 G в положительном и отрицательном направлениях по осям X, Y и Z (по одному импульсу с каждой стороны системы) длительностью не более 2 мс; Шесть последовательных ударных сглаженных прямоугольных импульсов 27 g в положительном и отрицательном направлениях по осям x, y и z (по одному импульсу с каждой стороны системы) со скоростью 597 см/с.

Условия эксплуатации и хранения (продолжение)

Высота над уровнем моря

В процессе работы

от -16 до 3048 м (-50 до 10 000 футов)

ПРИМЕЧАНИЕ: При использовании на высоте 900 м и выше максимальная рабочая температура снижается на 1 градус по Цельсию на каждые 168 м.

Хранение

от -16 до 10 600 м (-50 до 35 000 футов)

Уровень загрязняющих веществ в атмосфере

Класс

G1 согласно классификации ISA-S71.04-1985

Dell PowerEdge
C8000, C8220, C8220X
y C8000XD

Introducción al sistema

Modelos reglamentarios: B10S, B05B y B06B

Tipos reglamentarios: B10S001, B05B001, B06B001 y B06B002



Notas, precauciones y avisos



NOTA: una NOTA proporciona información importante que le ayudará a utilizar mejor el equipo.



PRECAUCIÓN: un mensaje de PRECAUCIÓN indica la posibilidad de daños en el hardware o la pérdida de datos si no se siguen las instrucciones.



AVISO: un mensaje de AVISO indica el riesgo de daños materiales, lesiones o incluso la muerte.

La información contenida en esta publicación puede modificarse sin previo aviso.

© 2013 Dell Inc. Todos los derechos reservados.

Queda estrictamente prohibida la reproducción de este material en cualquier forma sin la autorización por escrito de Dell Inc.

Marcas comerciales utilizadas en este texto: Dell™, el logotipo de DELL, Dell Precision™, OptiPlex™, Latitude™, PowerEdge™, PowerVault™, PowerConnect™, OpenManage™, EqualLogic™, KACE™, FlexAddress™ y Vostro™ son marcas comerciales de Dell Inc. Intel®, Pentium®, Xeon®, Core™ y Celeron® y Xeon Phi™ son marcas comerciales registradas de Intel Corporation en los Estados Unidos. y en otros países. Microsoft®, Windows®, Windows Server®, MS-DOS® y Windows Vista® son marcas comerciales o marcas comerciales registradas de Microsoft Corporation en los Estados Unidos o en otros países. Red Hat® y Red Hat® Enterprise Linux® son marcas comerciales registradas de Red Hat, Inc. en los Estados Unidos o en otros países. Novell® es una marca comercial registrada y SUSE™ es una marca comercial de Novell Inc. en los Estados Unidos y en otros países. Oracle® es una marca comercial registrada de Oracle Corporation y/o de sus filiales. Citrix®, Xen®, XenServer® y XenMotion® son marcas comerciales o marcas comerciales registradas de Citrix Systems, Inc. en los Estados Unidos y/o en otros países. VMware®, Virtual SMP®, vMotion®, vCenter® y vSphere® son marcas comerciales registradas o marcas comerciales de VMware, Inc. en Estados Unidos o en otros países. NVIDIA y Tesla™ son marcas comerciales o marcas comerciales registradas de NVIDIA Corporation. Ubuntu es una marca comercial registrada de Canonical Ltd.

En esta publicación se pueden utilizar otras marcas y nombres comerciales para referirse a las entidades que los poseen o a sus productos. Dell Inc. renuncia a cualquier interés sobre la propiedad de marcas y nombres comerciales que no sean los suyos.

Modelos reglamentarios: B10S, B05B y B06B

Tipos reglamentarios: B10S001, B05B001, B06B001 y B06B002

07/2013 N/P NJK8N Rev. A04

PRECAUCIÓN: Área de acceso restringido

Este servidor está pensado para instalarse solo en áreas de acceso restringido conforme a lo descrito cuando se aplican las dos condiciones siguientes:

- Solo pueden tener acceso el personal de asistencia técnica o los usuarios a los que se haya informado de las razones de las restricciones que se aplican a esta área y acerca de las precauciones que deban tenerse en cuenta.
- El acceso se realiza mediante un dispositivo o una cerradura y llave, u otros medios de seguridad, y está controlado por la autoridad responsable de esta área.

Instalación y configuración

AVISO: Antes de realizar el procedimiento siguiente, consulte y respete las instrucciones de seguridad incluidas con el sistema.


El gabinete de servidores PowerEdge C8000 es un chasis de montaje en un bastidor de cuatro unidades escalable y flexible. PowerEdge C8000 incluye diez compartimentos para SLED alineados en vertical que admiten un gabinete de SLED completos o combinados. Un gabinete de SLED completo puede incluir hasta cinco SLED de cálculo de ancho doble C8220X, diez SLED de cálculo de un solo ancho C8220, o cinco SLED de almacenamiento C8000XD. Un gabinete combinado de SLED puede admitir una combinación de diferentes tipos de SLED.


Herramientas recomendadas

Antes de comenzar con las tareas de instalación, asegúrese de que tiene los siguientes artículos:

- Destornillador Phillips del n.º 1
- Destornillador Phillips del n.º 2
- Muñequera de conexión a tierra conectada a tierra
- Una alfombra o gomaespuma antiestática

Desembalaje del sistema


 **AVISO:** Siempre que necesite levantar el sistema, pida ayuda a otras personas. Con el fin de evitar lesiones, no intente mover el sistema usted solo.


 **PRECAUCIÓN:** Lleve puesta la muñequera de conexión a tierra cuando trabaje con los componentes del sistema.

- 1 Prepare una alfombrilla o gomaespuma antiestática en la que colocar el gabinete de servidores PowerEdge C8000.
- 2 Desempaque el gabinete y colóquelo en la alfombrilla o gomaespuma antiestática.
- 3 Guarde los envases de cartón para utilizarlos en el futuro.

Instalación de la solución de rieles de montaje sin herramientas

 **AVISO:** Siempre que necesite levantar el sistema, pida ayuda a otras personas. Con el fin de evitar lesiones, no intente mover el sistema usted solo.

 **AVISO:** El sistema no está fijado al bastidor ni montado en los rieles. Por tanto, a fin de evitar lesiones personales o daños en el sistema, debe sujetar correctamente el sistema durante la instalación y la extracción.

 **AVISO:** Para evitar que se produzca una descarga eléctrica, es necesario que la instalación del bastidor cuente con un tercer conductor con conexión a tierra. El equipo del bastidor debe proporcionar el suficiente flujo de aire al sistema para mantener una refrigeración adecuada.


 **PRECAUCIÓN:** Las clavijas del riel deben encontrarse en el mismo nivel que los postes del bastidor para realizar la instalación correctamente.




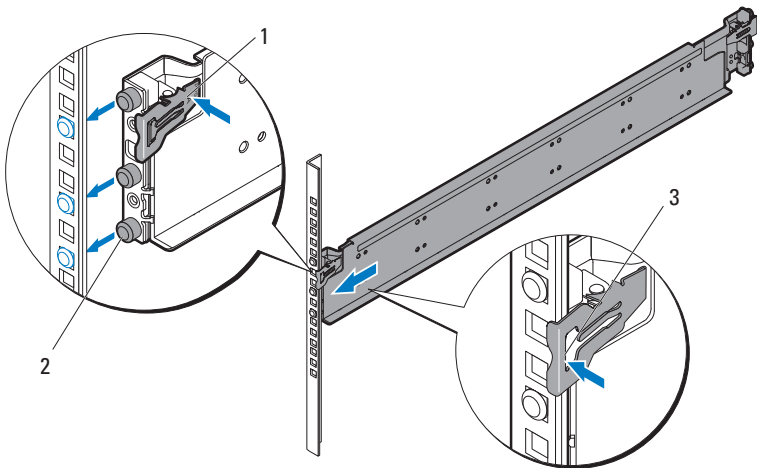
NOTA: Los rieles del bastidor están marcados como LEFT (Izquierdo) y RIGHT (Derecho). El riel marcado con "LEFT" (Izquierdo) se fija a los postes del bastidor izquierdo y el riel marcado con "RIGHT" (Derecho) se fija a los postes del bastidor derecho cuando se mira a la parte anterior del bastidor.

- 1 Decida dónde colocará los rieles en el bastidor. Asegúrese de que hay espacio suficiente en el bastidor para un chasis 4U. En un bastidor estándar, la altura de un chasis 4U ocupará 12 orificios del poste del bastidor.
- 2 Utilice las marcas indicadas en los lados izquierdo y derecho del riel para orientar el riel correctamente en los postes del bastidor.

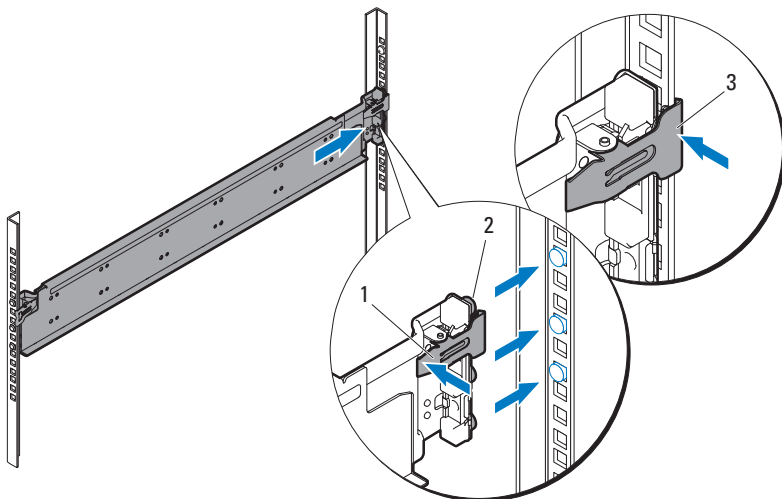
- 3** Fije el riel izquierdo y el soporte de detención al bastidor.
- a** Coloque riel izquierdo marcado como izquierdo “LEFT” para alinearlos con los orificios de montaje de los postes del bastidor.
 - b** Presione y sostenga el botón de liberación del riel **1** para abrir el seguro en el extremo anterior del riel izquierdo.
 - c** Alinee los tres clavijas **2** con los orificios de montaje del poste del bastidor anterior.
 - d** Suelte el botón **3** cuando encaje en el poste del bastidor anterior.

 **NOTA:** Asegúrese de que el botón de liberación del riel esté colocado correctamente.

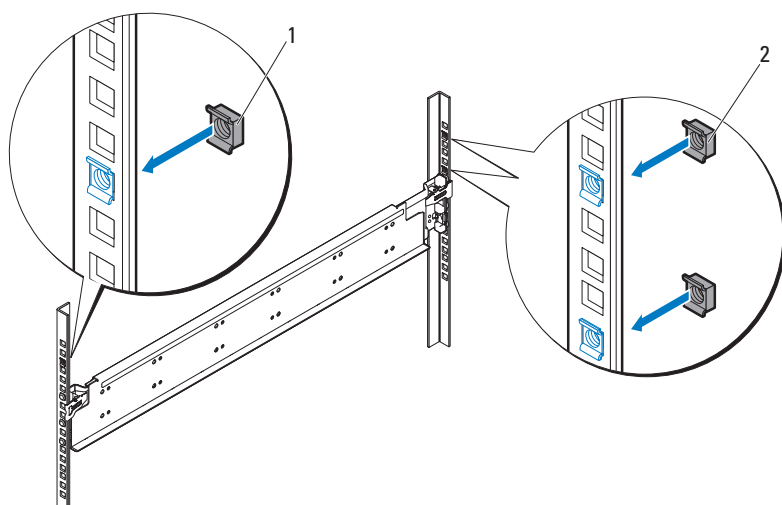
 **NOTA:** Los rieles pueden utilizarse en bastidores que tengan orificios cuadrados o redondos.



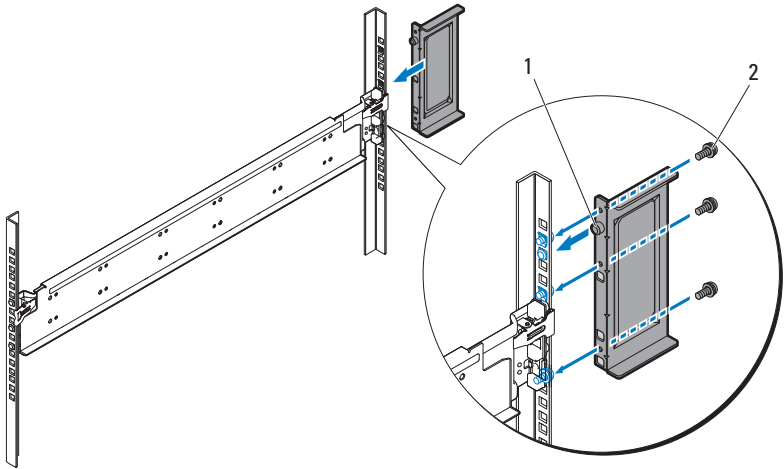
- e** Presione y sostenga el botón de liberación del riel **1** para abrir el seguro en el extremo posterior del riel.
- f** Alinee las tres clavijas **2** con los orificios de montaje en el poste del bastidor posterior.
- g** Suelte el botón **3** cuando encaje en el poste del bastidor posterior.



- h** Instale una tuerca enjaulada ❶ al poste del bastidor anterior y dos tuercas enjauladas ❷ al poste del bastidor posterior.



- i Alinee el soporte de detención ❶ al poste del bastidor posterior y fíjela con los tres tornillos 10-32 ❷. Apriete los tornillos con un par de 3,95 Nm (35 pulg-lbs).



- 4 Fije el riel derecho y el soporte de detención al bastidor.

Utilice el mismo procedimiento para instalar el riel derecho y el soporte de detención en los postes del bastidor derecho.



NOTA: Para extraer los rieles, presione y sostenga el botón de liberación del riel situado en el punto medio del extremo y desenganche cada riel.

Instalación del sistema

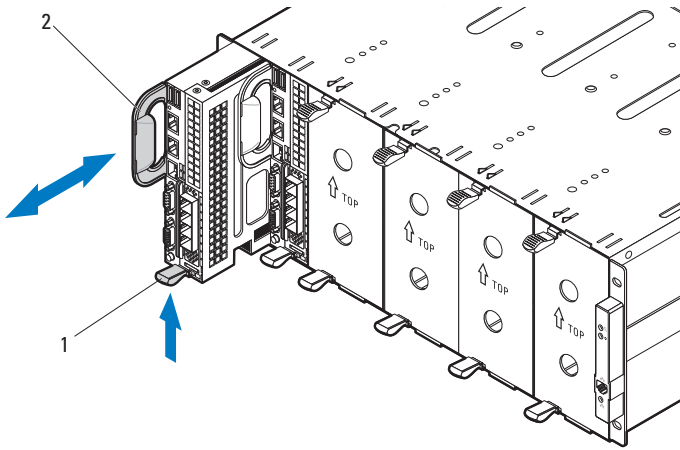
Esta sección incluye las siguientes subsecciones:

- Vaciado del sistema
- Instalación del sistema en el bastidor
- Numeración de compartimentos para SLED
- Cómo rellenar el sistema
- Instale las PDU externas en el bastidor
- Configuración del bastidor

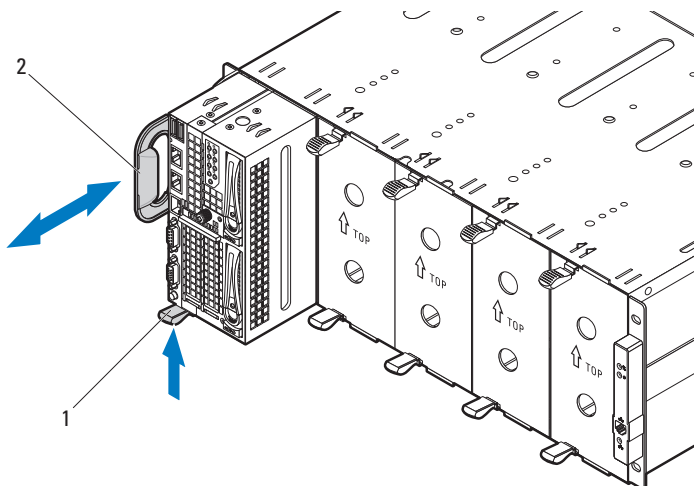
Vaciado del sistema

Antes de instalar el gabinete de servidores PowerEdge C8000 en el bastidor, extraiga todos los módulos de SLED del gabinete para reducir el peso del sistema y evitar lesiones. Coloque todos los módulos del SLED en una alfombrilla o gomaespuma antiestática.

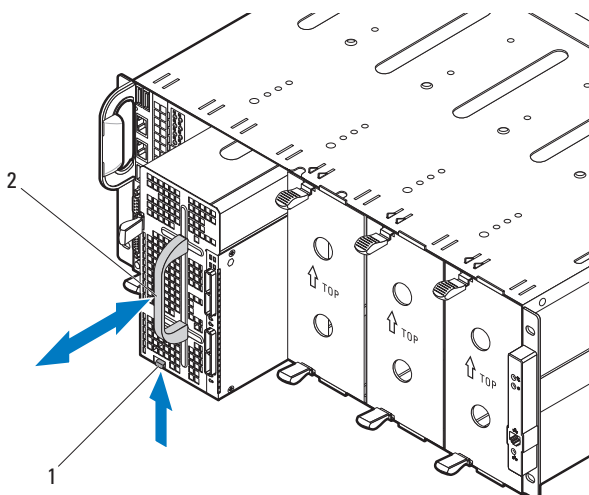
- Para extraer un SLED de cálculo de un solo ancho C8220, tire hacia arriba del seguro de liberación ❶ y utilice la manija ❷ para deslizar el SLED fuera del gabinete.



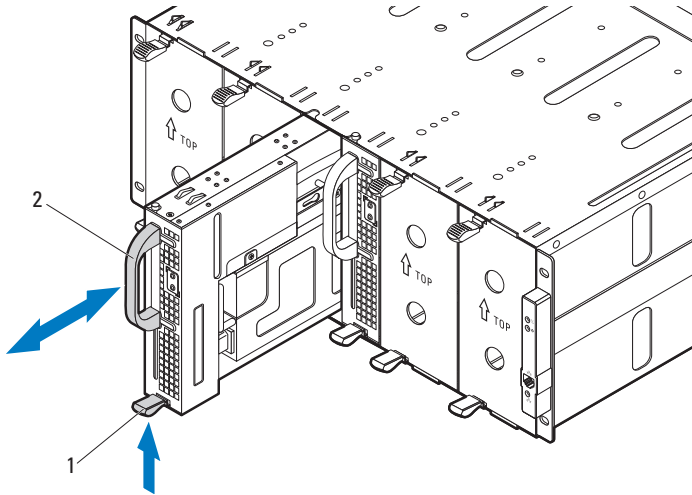
- Para extraer un SLED de cálculo de ancho doble C8220X, tire hacia arriba del seguro de liberación **1** y utilice la manija **2** para deslizar el SLED fuera del gabinete.



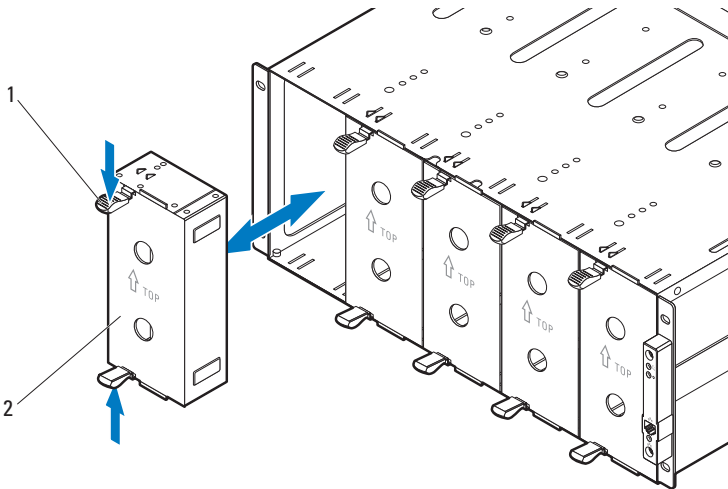
- Para extraer un SLED de almacenamiento C8000XD, tire y sostenga la pestaña de liberación **1** y utilice la manija **2** para deslizar el SLED fuera del gabinete.



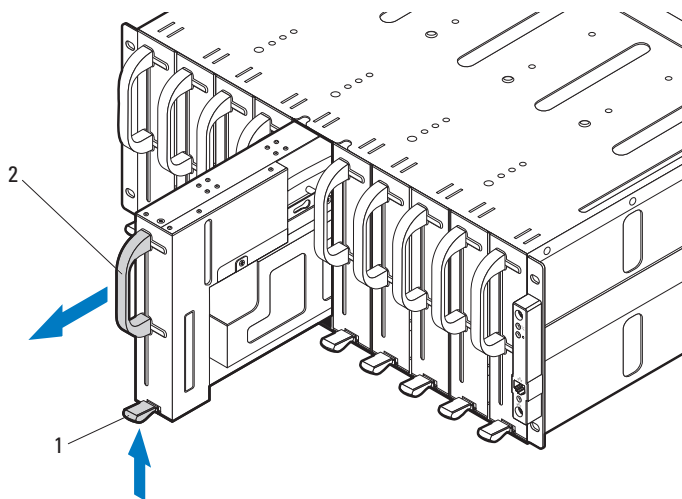
- Para extraer un SLED de alimentación, tire hacia arriba del seguro de liberación **1** y utilice la manija **2** para deslizar el SLED fuera del gabinete.



- Para extraer un SLED de relleno de ancho doble, apriete y sostenga los seguros de liberación **1** y tire del SLED de relleno fuera del gabinete **2**.



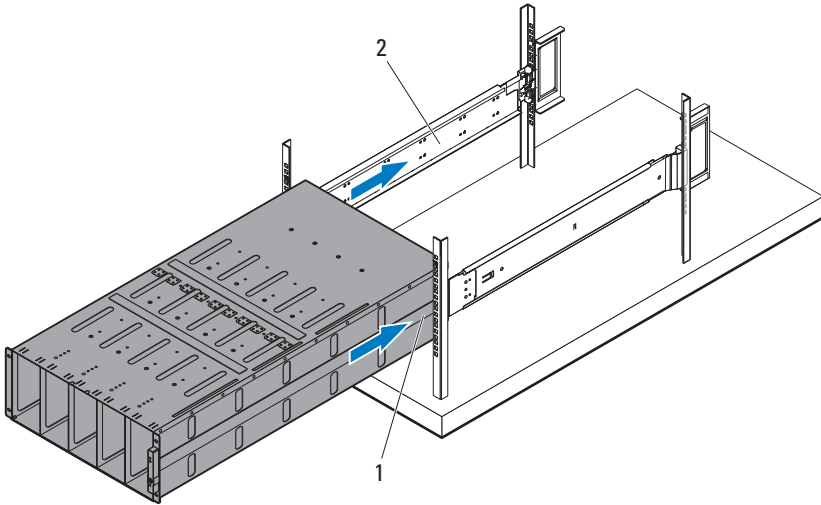
- Para extraer un SLED de relleno de un solo ancho, tire hacia arriba del seguro de liberación **1** y utilice la manija **2** para deslizar el SLED fuera del gabinete.



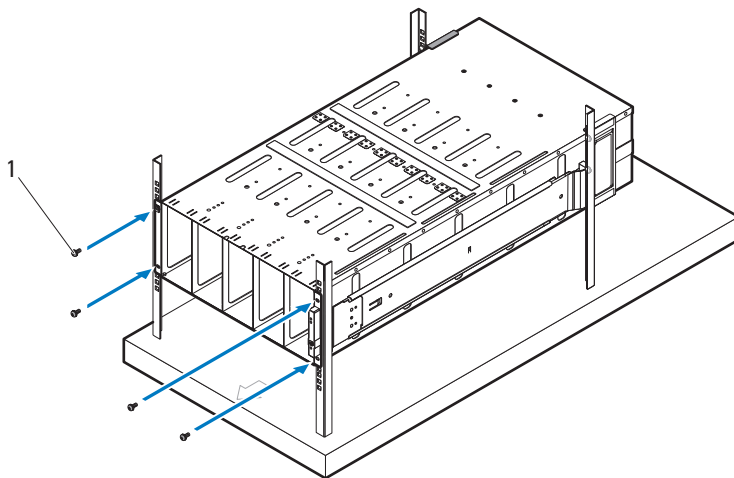
Instalación del sistema en el bastidor

⚠ AVISO: Siempre que necesite levantar el sistema, pida ayuda a otras personas. Con el fin de evitar lesiones, no intente mover el sistema usted solo.

- 1 Con ayuda, alinee el gabinete de servidores **1** con los rieles **2** y introdúzcalo completamente en el bastidor.

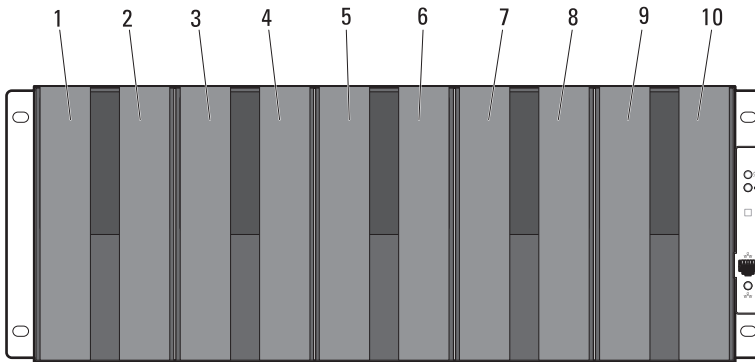


- 2 Fije la parte anterior del gabinete en los postes del bastidor derecho e izquierdo con cuatro tornillos 10-32 ①.



Numeración de compartimentos para SLED

El gabinete de servidores PowerEdge C8000 está dividido en diez compartimentos verticales. Un SLED de cálculo de un solo ancho C8220 ocupa un compartimento para SLED en el gabinete de servidores y un SLED de cálculo de ancho doble C8220X o un SLED de almacenamiento C8000XD ocupa 2 compartimentos para SLED en el gabinete de servidores. Al instalar un módulo de SLED en el gabinete de servidores, se debe instalar dicho módulo en el primer compartimento para SLED y, a continuación, seguir hacia la derecha del gabinete.




Tipo de módulo de SLED	Compartimentos para SLED									
	1	2	3	4	5 ^a	6 ^a	7	8	9	10
SLED de cálculo de un solo ancho C8220	✓	✓	✓	✓	✓	✓	✓	✓	✓	✓
SLED de cálculo de ancho doble C8220X	✓		✓		✓		✓		✓	
Almacenamiento C8000XD SLED ^b	✓		✓		✓		✓		✓	
SLED de alimentación ^c	—	—	—	—	✓	✓	—	—	—	—


a. Los compartimentos de SLED 5 y 6 admiten la instalación de dos SLED de alimentación o dos SLED de cálculo C8220 o una combinación de los dos tipos de SLED.

b. Para el gabinete de servidores con fuente de alimentación interna, instale los SLED de almacenamiento C8000XD en los compartimentos de SLED de 3 a 10 solamente.

c. Instale los SLED de alimentación solo en los compartimentos de SLED 5 y 6.

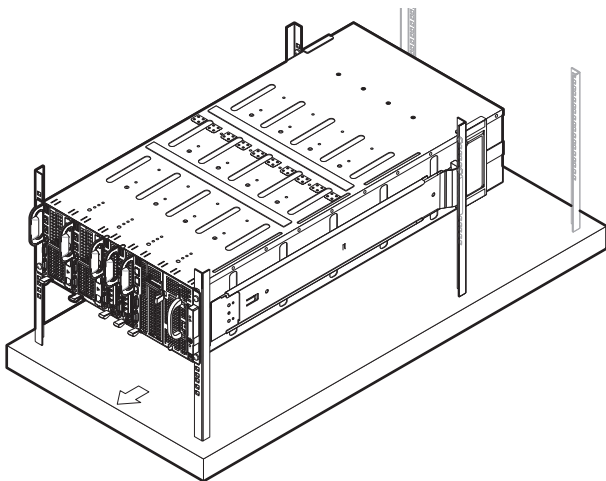
Cómo rellenar el sistema

 **PRECAUCIÓN:** Para garantizar un funcionamiento y una refrigeración correctos, todos los compartimentos del gabinete deben estar ocupados en todo momento con un SLED o con un SLED de relleno.






 **PRECAUCIÓN:** Para mantener una refrigeración adecuada del sistema, todas las ranuras para unidades de disco duro vacías deben tener instaladas unidades de disco duro de relleno.

Instale todos los componentes en el gabinete de servidores PowerEdge C8000.

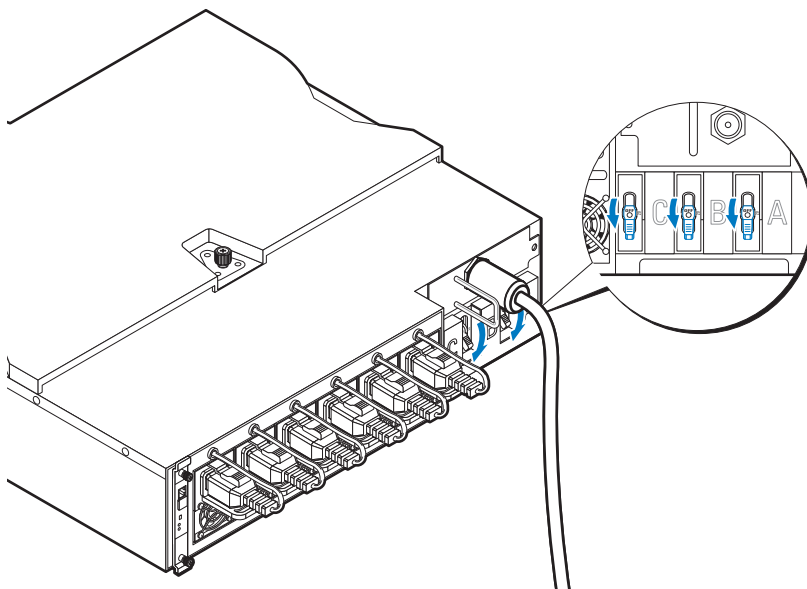
- Para instalar un SLED de cálculo de un solo ancho C8220, introduzca el nuevo SLED en el gabinete hasta que se inserte completamente y el seguro de liberación encaje en su lugar.
- Para instalar un SLED de cálculo de ancho doble C8220X, introduzca el nuevo SLED en el gabinete hasta que se inserte completamente y el seguro de liberación encaje en su lugar.
- Para instalar un SLED de almacenamiento C8000XD, introduzca el nuevo SLED en el gabinete hasta que se inserte completamente y la pestaña de liberación encaje en su lugar.
- Para instalar un SLED de alimentación, introduzca el nuevo SLED en el gabinete hasta que se inserte completamente y el seguro de liberación encaje en su lugar.
- Para instalar un SLED de relleno de ancho doble, deslícelo en el gabinete hasta que se inserte completamente y los seguros de liberación encajen en su lugar.
- Para instalar un SLED de relleno de un solo ancho, deslícelo en el gabinete hasta que se inserte completamente y el seguro de liberación encaje en su lugar.



Instale las PDU externas en el bastidor

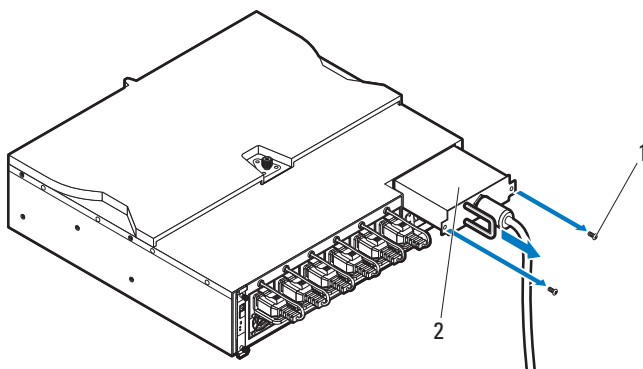
-  **AVISO:** Siempre que necesite levantar el sistema, pida ayuda a otras personas. Con el fin de evitar lesiones, no intente mover el sistema usted solo.
-  **NOTA:** Las ilustraciones del dispositivo de la PDU se proporcionan solo como referencia. Consulte la documentación del dispositivo de la PDU para obtener más información sobre el dispositivo de la PDU.
-  **NOTA:** Los soportes de montaje de la PDU están marcados con L y R. El riel marcado con “L” se fija a la izquierda del dispositivo de la PDU y el riel marcado con “R” se fija a la derecha del dispositivo de la PDU.
-  **AVISO:** No conecte ni desconecte los cables de alimentación del dispositivo de la PDU mientras la PDU recibe energía.
-  **AVISO:** Apague los interruptores automáticos de la PDU para evitar la posibilidad de descargas eléctricas graves o mortales.

- 1 Apague los interruptores automáticos de la PDU moviendo los interruptores A, B y C a la posición “OFF” (Apagado).



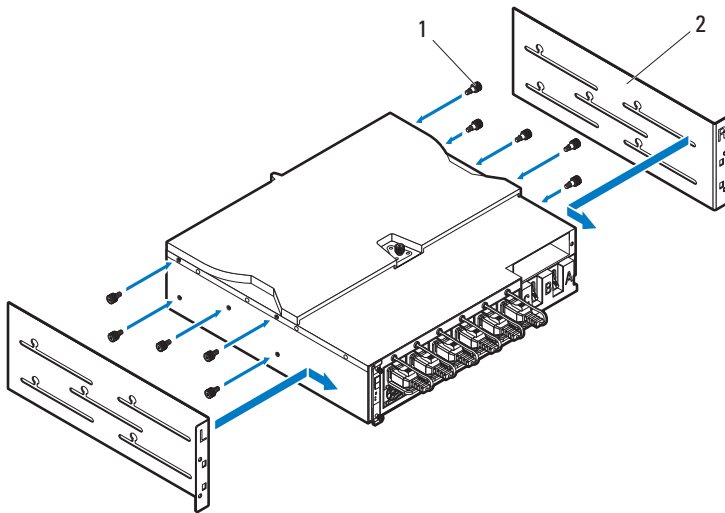
- 2 Desconecte la PDU de la fuente de alimentación.

- 3** Extraiga el cable de alimentación del módulo Power cable interface box (Caja de interfaz del cable de alimentación - PCIB).
- a** Extraiga los dos tornillos ❶ que fijan el módulo PCIB.
 - b** Sujete el asa de la PCIB y tire de ella para sacarla de su compartimento ❷.



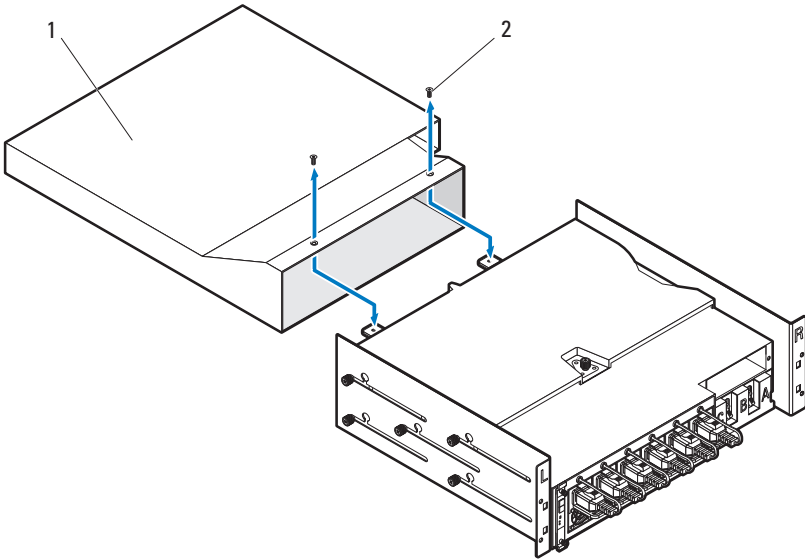
4 Fije los soportes de montaje a los lados de la PDU.

- a** Fije los diez tornillos **1** a los lados derecho e izquierdo de la PDU.
- b** Coloque el soporte de montaje izquierdo marcado con “L” para alinear los orificios para tornillos con los tornillos en la PDU y deslice el soporte de montaje hacia la parte posterior de la PDU hasta que se asiente en su lugar **2**.
- c** Coloque el soporte de montaje derecho marcado con “R” para alinear los orificios para tornillos con los tornillos en la PDU y deslice el soporte de montaje hacia la parte posterior de la PDU hasta que se asiente en su lugar **2**.

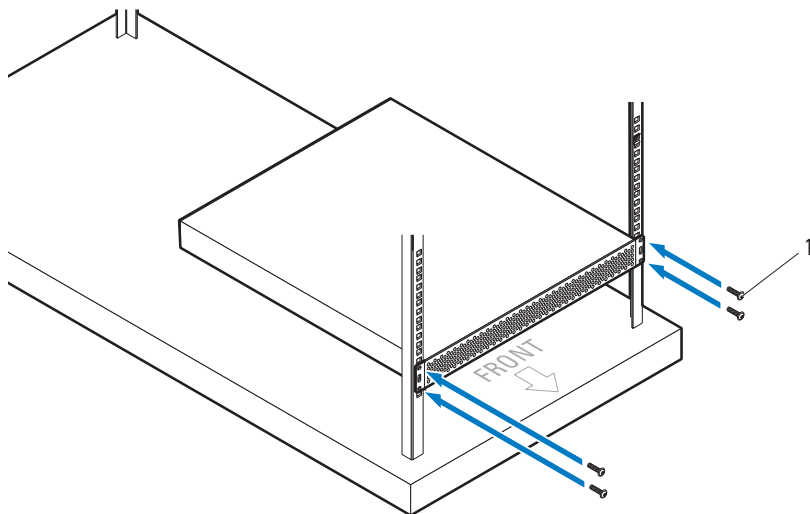


5 Instale el tubo en la PDU.

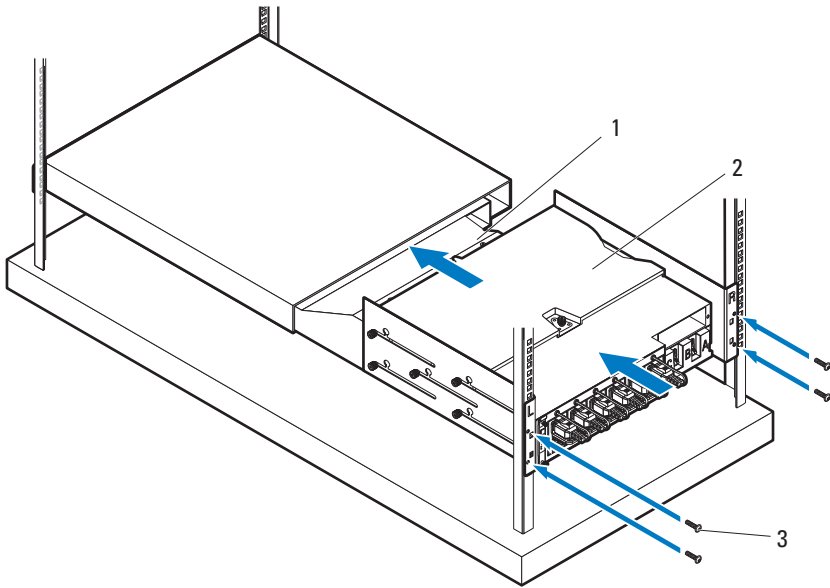
- a** Extraiga el conducto de aire del tubo.
- b** Alinee el conducto de aire ❶ con la parte anterior de la PDU.
- c** Fije el conducto de aire de la parte anterior de la PDU con los dos tornillos ❷.



- d Alinee el tubo con los postes del bastidor.
- e Fije el tubo a los postes del bastidor con los cuatro tornillos ❶.



- 6 Con la ayuda de otra persona, deslice el conducto de aire ❶ en el tubo y fije la parte posterior de la PDU ❷ a los postes del bastidor con 4 tornillos ❸.

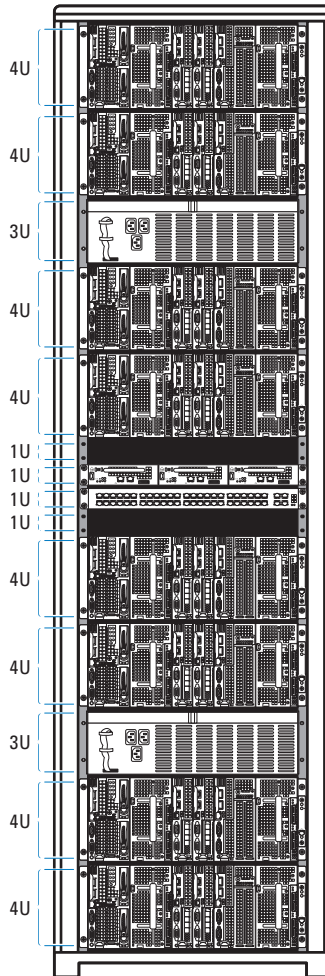


Configuración del bastidor

En la ilustración siguiente se muestra un ejemplo de la configuración del bastidor con gabinetes de servidor PowerEdge C8000, dispositivos de unidad de distribución de alimentación (PDU), conmutadores y enrutadores en un bastidor de 42U.



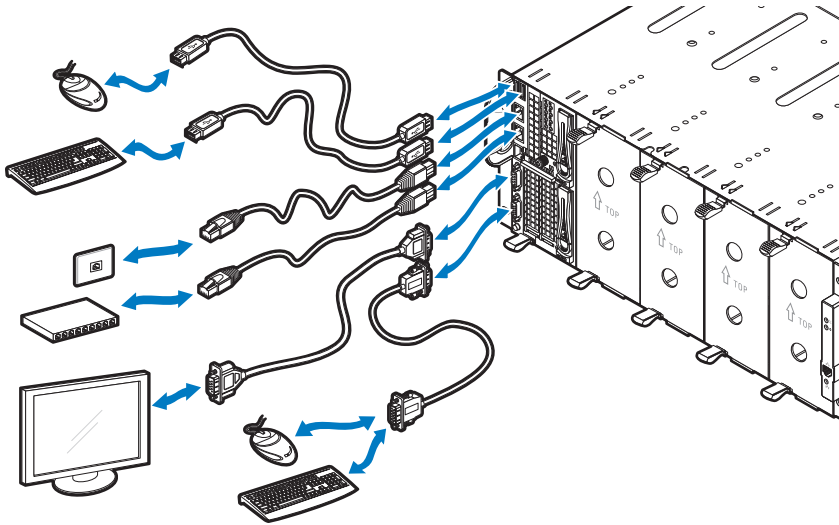
NOTA: La ilustración de la configuración de un bastidor se proporciona solo como referencia.



Conexión del teclado, el ratón y el monitor

Conecte un teclado, un mouse y un monitor al SLED de cálculo (opcional).

En la siguiente ilustración se representa una conexión de muestra del teclado, el mouse y el monitor a un SLED de cálculo de ancho doble C8220X.

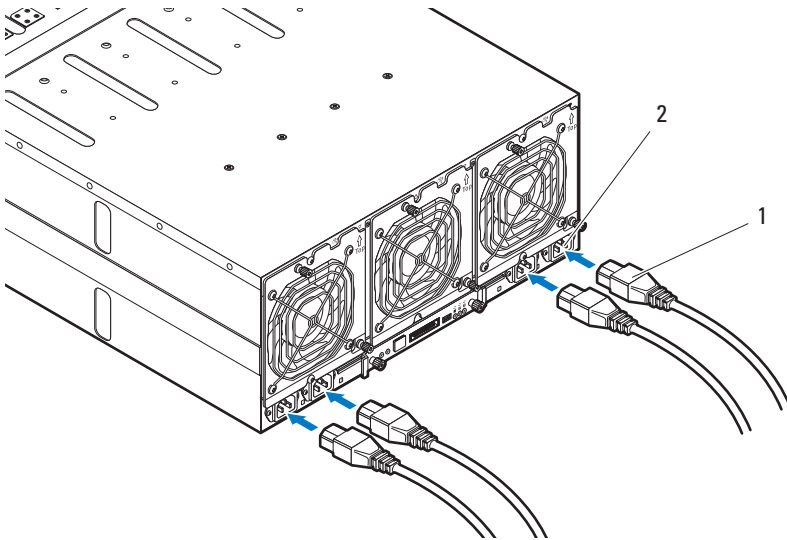


Conexión de los cables de alimentación

Esta sección incluye instrucciones sobre cómo conectar el gabinete de servidores con una fuente de alimentación interna o externa a una PDU externa.

Gabinete de servidores con una fuente de alimentación interna

- 1 En la parte posterior del gabinete, conecte los cables de alimentación 2 a los sockets de alimentación de CA 1.

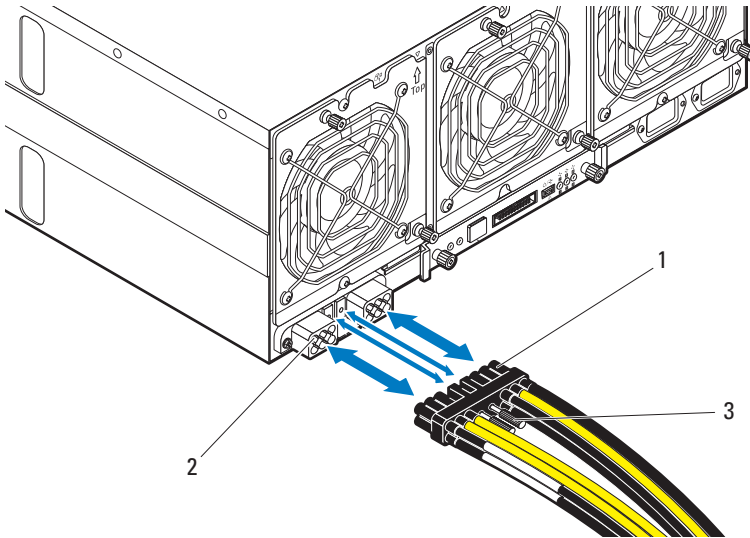


- 2 Conecte el otro extremo de los cables de alimentación a una toma eléctrica con conexión a tierra o a otra fuente de alimentación independiente, como un sistema de alimentación ininterrumpida o la PDU.

Gabinete de servidores con una fuente de alimentación externa

⚠ AVISO: Asegúrese de que la alimentación está apagada en todos los dispositivos antes de realizar las conexiones.

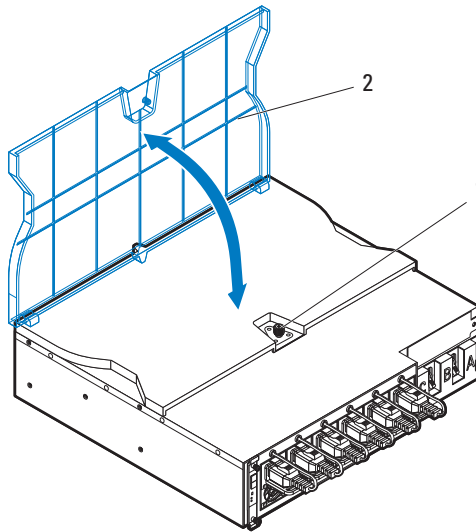
- 1 En la parte posterior del gabinete, conecte el cable de alimentación ❶ al socket de alimentación de CC ❷.
- 2 Apriete los dos tornillos centrales ❸ en el cable para fijar la conexión.



Conexión del gabinete de servidores a una PDU del bastidor

⚠ AVISO: No conecte ni desconecte los cables de alimentación del dispositivo de la PDU mientras la PDU recibe energía. Apague los interruptores automáticos de la PDU para evitar la posibilidad de descargas eléctricas graves o mortales. Mueva los interruptores A, B y C de la PDU a la posición "OFF" (Apagado).

- 1 Desbloquee la cubierta del cable ❶.
- 2 Gire la cubierta ❷ hacia atrás y extráigala de la PDU.



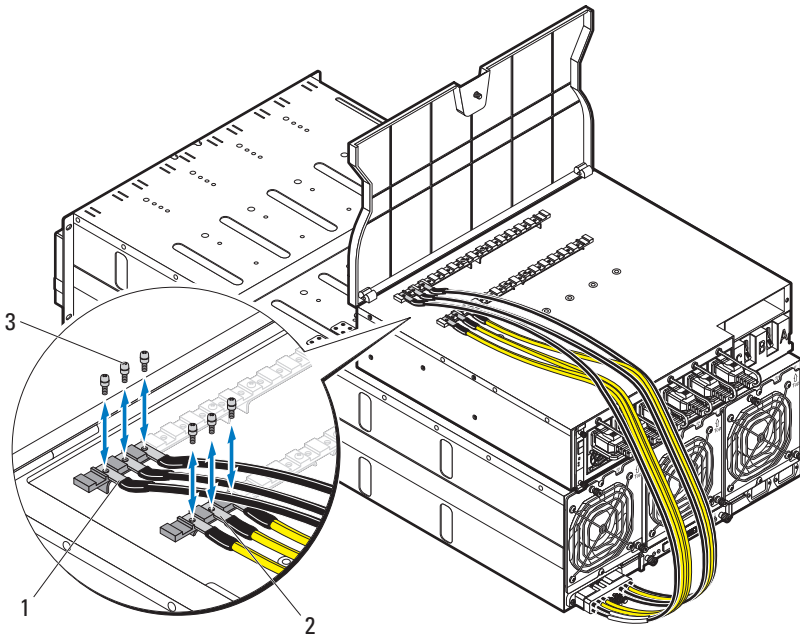
- 3 Conecte los cables de alimentación del gabinete de servidores a la barra del bus de alimentación de la PDU .



NOTA: El dispositivo de la PDU admite un máximo de cinco gabinetes de PowerEdge C8000 servidor en función de la configuración del sistema y el presupuesto de alimentación.

Para conectar un único gabinete de servidores a la PDU:

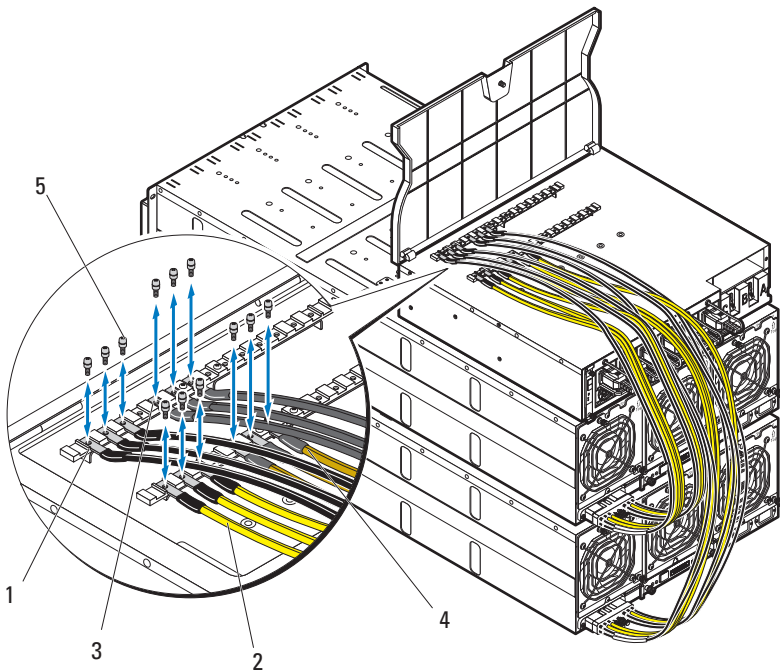
- a Fije las tres orejetas negras del cable de alimentación ❶ a la barra del bus de alimentación superior (GND) con tres tornillos ❸.
- b Fije las tres orejetas amarillas del cable de alimentación ❷ a la barra del bus de alimentación inferior con tres tornillos ❸.



Para conectar varios gabinetes de servidores a la PDU:

- a Fije las tres orejetas negras del cable de alimentación del primer gabinete de servidores ❶ a la barra del bus de alimentación superior (GND) con tres tornillos ❸.
- b Fije las tres orejetas amarillas del cable de alimentación del primer gabinete de servidores ❷ a la barra del bus de alimentación inferior con tres tornillos ❸.

- c Fije las tres orejetas negras del cable de alimentación del segundo gabinete de servidores **3** a la barra del bus de alimentación superior (GND) con tres tornillos **5**.
- d Fije las tres orejetas amarillas del cable de alimentación del segundo gabinete de servidores **4** a la barra del bus de alimentación inferior con tres tornillos **5**.

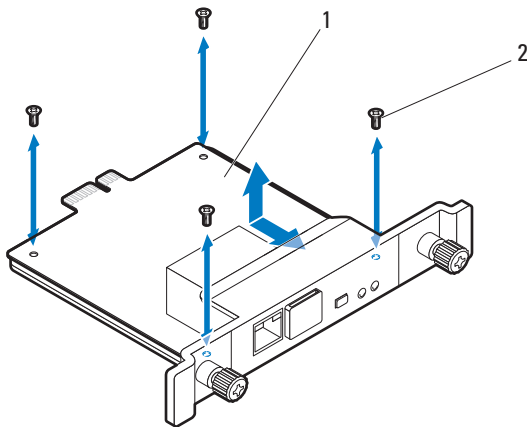


NOTA: Asegúrese de que todos los cables de alimentación estén conectados correctamente y de forma segura en las barras del bus de alimentación de la PDU.

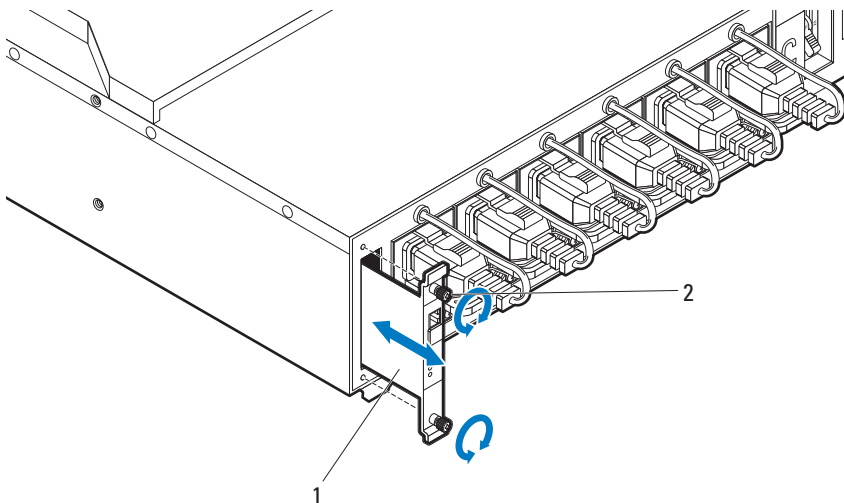
- 4 Cierre la cubierta de cables y asegúrela a la PDU.

Conexión de la PDU a la red

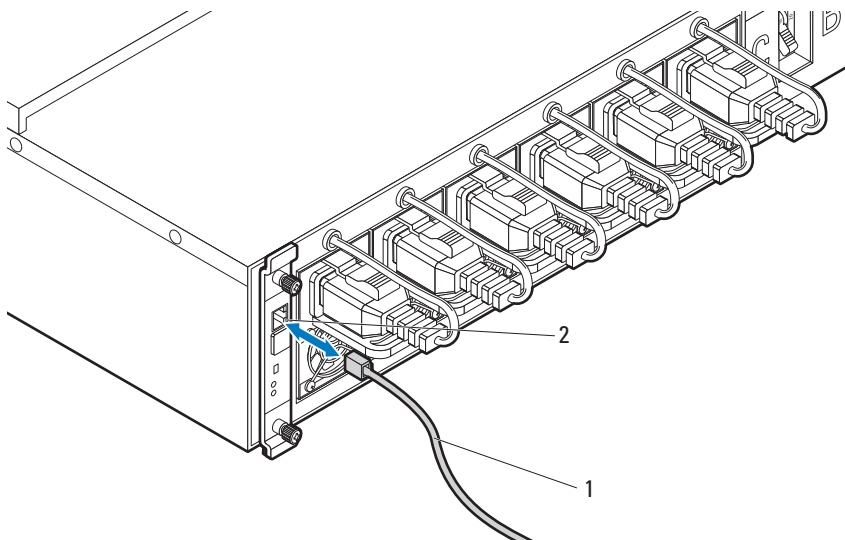
- 1 Instale la controladora de administración de alimentación (PMC) en la PDU y conéctese a su red.
 - a Fije la placa de PMC ① a la bandeja PMC con los cuatro tornillos ②.



- b Inserte el ensamblaje PMC ① a la PDU y fíjelo con los dos tornillos de mariposa ②.



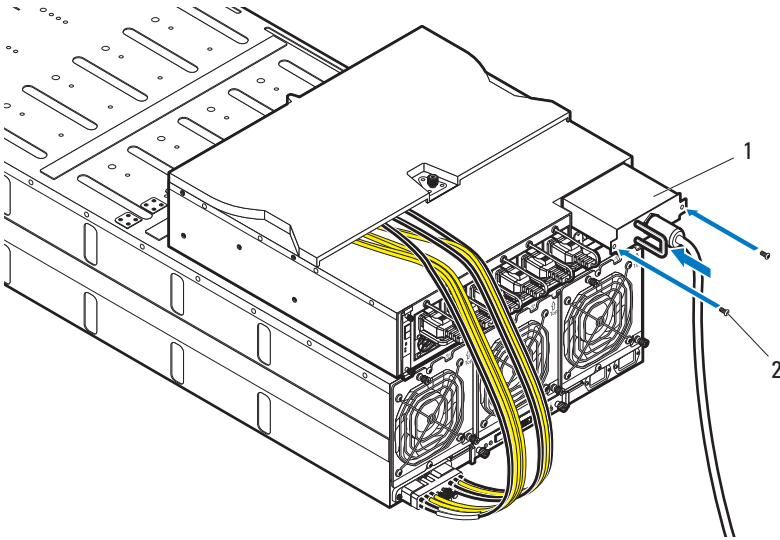
- c Conecte el cable de red ❶ al puerto NIC 1 ❷.



Encendido de los sistemas

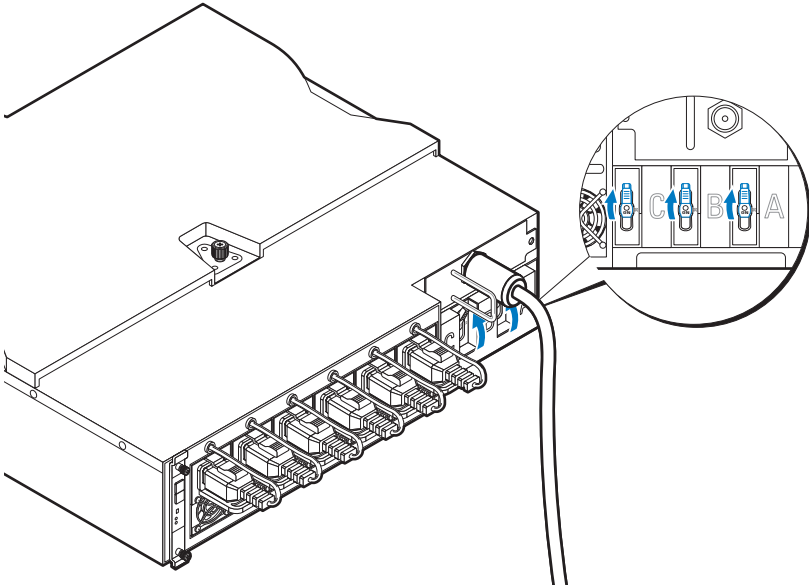
Encendido de la PDU

- 1** Instale el módulo PCIB a la PDU.
 - a** Inserte el módulo PCIB en el compartimiento de la PCIB ❶.
 - b** Fije el módulo PCIB a la PDU con los dos tornillos ❷.



- 2** Conecte la PDU a la fuente de alimentación.

- 3 Encienda los interruptores automáticos de la PDU moviendo los interruptores A, B y C a la posición “ON” (Encendido).



- 4 Para habilitar la supervisión del dispositivo de la PDU a través de la red, encienda la placa PMC presionando el botón de alimentación situado en la placa PMC. Cuando la alimentación se aplica a la PDU, el indicador de estado/alimentación de la parte anterior de la placa de PMC se encenderá en verde.



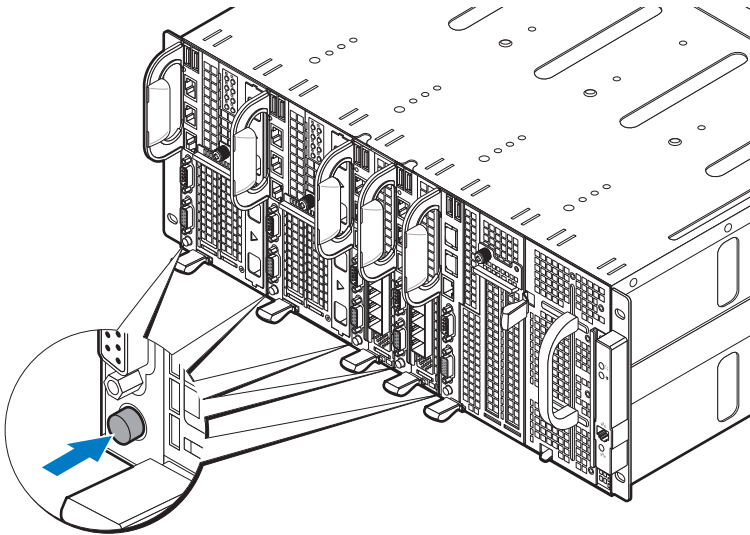
NOTA: Las ilustraciones de la placa PMC y el dispositivo de la PDU en esta guía se proporcionan solo como referencia. Consulte la documentación del dispositivo de la PDU para obtener más información sobre la placa PMC y el dispositivo de la PDU.

Encendido del gabinete de servidores

Cuando se conecta a una fuente de alimentación, la alimentación principal se distribuye automáticamente al gabinete de servidores. Después de que el gabinete de servidores esté encendido, el indicador de encendido/evento de la parte anterior del gabinete se iluminará en verde y se aplicará la alimentación principal a todos los SLED del gabinete.

Encendido de los SLED

Para encender el SLED de cálculo C8220 o C8220X, pulse el botón de encendido de cada SLED o encienda el SLED con el controlador de administración de la placa base. Cuando el SLED recibe alimentación, el indicador de encendido de la parte anterior del SLED se encenderá en verde. Cuando se monta en el gabinete de servidores, el SLED de almacenamiento C8000XD se enciende automáticamente. Consulte el documento “Using the Baseboard Management Controller Guide” (Guía de uso de la controladora de administración de la placa base) en dell.com/support/manuals.



Complete la instalación del sistema operativo

Para instalar un sistema operativo por primera vez, consulte la documentación de instalación y configuración del sistema operativo. Asegúrese de que el sistema operativo está instalado antes de instalar hardware o software no adquirido con el sistema.

Sistemas operativos admitidos

- Citrix XenServer Enterprise Edition 5.6
- Citrix XenServer Enterprise Edition 6.1
- Microsoft Windows Server 2008 Enterprise Edition versión 2 (64 bits)
- Microsoft Windows Server 2012
- Microsoft Windows HPC 2008 versión 2
- Microsoft HyperV
- Red Hat Enterprise Linux 6.1 de 64 bits
- Red Hat Enterprise Linux 6.3 de 64 bits
- SUSE Linux Enterprise Server 11 SP2 de 64 bits
- Ubuntu 12.04.1 LTS de 64 bits
- VMware ESXi 5.0
- VMware ESXi 5.0 U1
- VMware ESXi 5.0 U2
- VMware ESX 5.1
- VMware ESXi 5.1 U1



NOTA: Para obtener la información más reciente sobre los sistemas operativos admitidos, visite dell.com/ossupport.

Otra información útil



AVISO: Consulte la información sobre normativas y seguridad suministrada con el sistema. La información sobre la garantía puede estar incluida en este documento o constar en un documento aparte.

- En el PowerEdge C8000 Hardware Owner's Manual (Manual del propietario del hardware de PowerEdge C8000) se ofrece información acerca de las características del gabinete del servidor, la solución de problemas y la sustitución de componentes. Este documento está disponible en dell.com/support/manuals.
- El PowerEdge C8000 Hardware Owner's Manual (Manual del propietario del hardware de PowerEdge C8220) para obtener información sobre las características del sistema, la solución de problemas y la sustitución de componentes. Este documento está disponible en dell.com/support/manuals.
- El PowerEdge C8000 Hardware Owner's Manual (Manual del propietario del hardware de PowerEdge C8220X) para obtener información sobre las características del sistema, la solución de problemas y la sustitución de componentes. Este documento está disponible en dell.com/support/manuals.
- El PowerEdge C8000 Hardware Owner's Manual (Manual del propietario del hardware de PowerEdge C8000XD) para obtener información sobre las características del sistema, la solución de problemas y la sustitución de componentes. Este documento está disponible en dell.com/support/manuals.
- En "Baseboard Management Controller Guide" (Guía de uso del controlador de administración de la placa base) se ofrece información acerca de cómo instalar y utilizar la utilidad de administración de sistemas. Este documento está disponible en dell.com/support/manuals.



NOTA: Compruebe si hay actualizaciones y, de ser así, léelas antes de proceder a la instalación, puesto que a menudo sustituyen la información contenida en otros documentos.

Información de la NOM

PowerEdge C8000

La información que se proporciona a continuación aparece en el dispositivo descrito en este documento, de conformidad con los requisitos de la Norma Oficial Mexicana (NOM):

Importador:	Dell Inc. de México, S.A. de C.V. Paseo de la Reforma 2620 – 11° Piso Col. Lomas Altas 11950 México, D.F.
Número de modelo:	B10S
Voltaje de alimentación:	200–240 VCA (con cuatro unidades de fuente de alimentación de 1 400 W CA) o 12 VCC (con PDU externa)
Frecuencia:	50–60 HZ
Consumo eléctrico:	9 A (x4) (con cuatro unidades de fuente de alimentación de 1 400 W CA) o 480 A (con PDU externa)

PowerEdge C8220

La información que se proporciona a continuación aparece en el dispositivo descrito en este documento, de conformidad con los requisitos de la Norma Oficial Mexicana (NOM):

Importador:	Dell Inc. de México, S.A. de C.V. Paseo de la Reforma 2620 – 11° Piso Col. Lomas Altas 11950 México, D.F.
Número de modelo:	B05B
Voltaje de alimentación:	12 VCC
Consumo eléctrico:	42 A

PowerEdge C8220X

La información que se proporciona a continuación aparece en el dispositivo descrito en este documento, de conformidad con los requisitos de la Norma Oficial Mexicana (NOM):

Importador:	Dell Inc. de México, S.A. de C.V. Paseo de la Reforma 2620 – 11° Piso Col. Lomas Altas 11950 México, D.F.
Número de modelo:	B06B
Voltaje de alimentación:	12 VCC
Consumo eléctrico:	92 A

PowerEdge C8000XD

La información que se proporciona a continuación aparece en el dispositivo descrito en este documento, de conformidad con los requisitos de la Norma Oficial Mexicana (NOM):

Importador:	Dell Inc. de México, S.A. de C.V. Paseo de la Reforma 2620 – 11° Piso Col. Lomas Altas 11950 México, D.F.
Número de modelo:	B06B
Voltaje de alimentación:	12 VCC
Consumo eléctrico:	30 A

Especificaciones técnicas

Especificaciones del SLED de cálculo (por SLED)

Procesador

Tipo de procesador	Dos procesadores Intel Xeon de la serie E5
Zócalo del procesador	2 LGA 2011

Conjunto de chips del sistema

Concentrador del controlador de la plataforma	Intel X79
Controlador de red	Intel i350-BT2
Controladora de vídeo	Aspeed AST2300

Memoria

Tipo de memoria	UDIMM, RDIMM, LRDIMM en DDR3
Zócalos de módulo de memoria	16 zócalos DIMM
Capacidades del módulo de memoria	RDIMM de 2 GB, 4 GB, 8 GB, 16 GB y 32 GB
RAM mínima	UDIMM de 512 MB; RDIMM de 1 GB
RAM máxima	UDIMM de 128 GB; RDIMM de 256 GB
No. de canales de memoria (por CPU)	4 canales

Especificaciones del SLED de cálculo (por SLED)(continuación)

Dispositivo de almacenamiento

SLED de cálculo de un solo ancho PowerEdge C8220	<ul style="list-style-type: none">• 4 puertos SATA de 3 Gb/s• 2 puertos SATA de 6 Gb/s• 2x unidades HDD SATA de 2,5 pulgadas
SLED de cálculo de ancho doble PowerEdge C8220X	<ul style="list-style-type: none">• 4 puertos SATA de 3 Gb/s• 2 puertos SATA de 6 Gb/s• 2x unidades HDD SATA de 2,5 pulgadas• 8x unidades HDD SAS/SATA de 2,5 pulgadas o 4x unidades HDD SAS/SATA de 3,5 pulgadas• Dos unidades de disco duro SAS/SATA de conexión en caliente de 2,5 pulgadas (PowerEdge C8220X con acceso anterior unidades de disco duro de conexión en caliente de 2,5 pulgadas)

Tarjeta gráfica

SLED de cálculo de ancho doble PowerEdge C8220X	PowerEdge C8220X con GPGPU/MIC <ul style="list-style-type: none">• NVIDIA Tesla M2090• NVIDIA Tesla K20• Intel Xeon Phi 5110P
--	---

Ranuras de expansión

SLED de cálculo de un solo ancho PowerEdge C8220	<ul style="list-style-type: none">• Una x16 ranura para PCI Express 2.0• Una x8 ranura intermedia
SLED de cálculo de ancho doble PowerEdge C8220X	<ul style="list-style-type: none">• Dos x8 ranuras PCI Express 3.0 (tipo de conector x16)• Una x8 ranura intermedia
PowerEdge C8220X con GPGPU/MIC de doble ancho Sled de cálculo	<ul style="list-style-type: none">• Una x16 ranura PCI Express 3.0 a través de una sola tarjeta vertical• Una x16 ranura PCI Express 3.0 a través de un cable• Una x8 ranura intermedia

Especificaciones del SLED de cálculo (por SLED)(continuación)

Interfaces

Puerto de administración BMC	1 en la parte frontal
NIC	Dos puertos NIC de 1 Gb
Serie	1 en la parte frontal
VGA	1 en la parte frontal
USB	2 en la parte frontal
LED de UID	1 en la parte frontal

Alimentación

Baterías

Pila del sistema	Pila de tipo botón litio-ion CR2032 de 3 V
Batería RAID (opcional)	Conjunto de baterías de iones de litio de 3,7 V

Especificaciones del SLED de almacenamiento (por SLED)

Configuración del SLED de HDD

Modo de puerto dual (redundante)	Portaunidades estándar
Modo de un solo puerto (no redundante)	<ul style="list-style-type: none">• Portaunidades estándar• Portaunidades flexible• Portaunidades de expansión
Modo de expansión (sin zonas/ dos zonas/cuatro zonas)	Portaunidades de expansión

Dispositivo de almacenamiento

Portaunidades estándar	12x unidades HDD SAS/SATA/SSD de 3,5 pulgadas
Portaunidades flexible	12x unidades HDD SAS/SATA/SSD de 2,5 pulgadas
Portaunidades de expansión	24x unidades HDD SSD de 2,5 pulgadas

Interfaz

Mini-SAS	4 frontales
----------	-------------

Especificaciones del SLED de alimentación (por SLED)

Interfaces

LED de alimentación	2 en la parte frontal
Conector de alimentación	Conector de 2 CC (12 V y GND)

Módulo de fuente de alimentación (por fuente de alimentación)

Potencia	1 400 W
Conector	IEC C20
Voltaje	200–240 VCA, 50–60 Hz, 9 A máx.
Disipación de calor	1 205 BTU/h como máximo
Corriente de irrupción máxima	En condiciones normales de línea y en todo el intervalo operativo del sistema, la corriente de la conexión puede alcanzar 25 A por cada suministro de energía durante 10 ms o menos

Especificaciones del gabinete de servidores

Características físicas

Altura	17,5 cm (6,9 pulg.)
Anchura	44,7 cm (17,6 pulg.)
Profundidad	81,3 cm (32,0 pulg.)
Peso (vacío)	17,93 kg (39,53 lbs.)

Soporte del SLED

Gabinete de servidores con una fuente de alimentación interna	<ul style="list-style-type: none">• Hasta 8 SLED de computación de un solo ancho C8220• Hasta 4 SLED de computación de doble ancho C8220X• Hasta 4 SLED de almacenamiento C8000XD• Hasta 2 SLED de alimentación
---	--

Especificaciones del gabinete de servidores

Gabinete de servidores con PDU externa	<ul style="list-style-type: none">• Hasta 10 SLED de computación de un solo ancho C8220• Hasta 5 SLED de computación de doble ancho C8220X• Hasta 5 SLED de almacenamiento C8000XD
--	--

Interfaces

NIC	2 puertos de la NIC de 10/100 Mbit (1 en la parte anterior y 1 en la parte posterior)
Serie	1 en la parte posterior
LED de encendido/evento	2 (1 en la parte frontal y 1 en la posterior)
LED de UID	2 (1 en la parte frontal y 1 en la posterior)
LED de actividad Ethernet	1 en la parte frontal
Sensor térmico	1 en la parte frontal
LED de error del módulo de ventilador del sistema	3 en la parte posterior

Ventiladores del sistema

Tipo de ventilador	3 módulos de ventilador (2 ventiladores por módulo, 6 en total)
--------------------	---

Alimentación

Fuente de alimentación de CC

Voltaje

con PDU externa	12 VCC, 50-60 Hz, 680 A máx. con 6 unidades de suministro de energía ocupadas
-----------------	---

Especificaciones medioambientales

NOTE: Para obtener información adicional sobre medidas ambientales relativas a configuraciones del sistema específicas, visite dell.com/environmental_datasheets.

Temperatura

En funcionamiento	De 10 °C a 35 °C (de 50 °F a 95 °F) con una gradación de temperatura máxima de 10 °C por hora
Almacenamiento	De -40 a 65 °C (de 40 °F a 149 °F) con una gradación de temperatura máxima de 20 °C por hora

Humedad relativa

En funcionamiento	Del 20 al 80% (sin condensación) con una gradación de humedad máxima del 10% por hora
Almacenamiento	Del 5% al 95% (sin condensación)

Vibración máxima

En funcionamiento	0,26 Grms a 5-350 Hz
Almacenamiento	1,87 Grms a 10-500 Hz durante 15 minutos

Impacto máximo

En funcionamiento	Un impulso de choque en el sentido positivo del eje z (un impulso en cada lado del sistema) de 31 G durante 2,6 ms en la orientación de funcionamiento
Almacenamiento	Seis impulsos ejecutados consecutivamente en los ejes x, y y z positivo y negativo (un impulso en cada lado del sistema) de 71 G durante un máximo de 2 ms; Seis impulsos de choque ejecutados consecutivamente en los ejes x, y y z positivo y negativo (un impulso en cada lado del sistema) de onda cuadrada alisada de 27 G con cambio de velocidad a 597 cm/s (235 pulg./s)

Especificaciones medioambientales(continuación)

Altitud

En funcionamiento

De -16 a 3 048 m (-50 a 10 000 pies)

NOTE: Para altitudes superiores a 2 950 pies, la temperatura máxima de funcionamiento se reduce a 1 °F cada 550 pies.

Almacenamiento

De -16 a 10 600 m (-50 a 35 000 pies)

Nivel de contaminación atmosférica

Clase

G1 de acuerdo con ISA-S71.04-1985

Dell PowerEdge
C8000, C8220, C8220X,
ve C8000XD

Sisteminizi Kullanmaya Başlarken

Düzenleyici Model: B10S, B05B ve B06B
Düzenleyici Tip: B10S001, B05B001,
B06B001 ve B06B002



Notlar, Dikkat Edilecek Noktalar ve Uyarılar



NOT: NOT, bilgisayarınızdan daha iyi şekilde yararlanmanıza yardımcı olacak önemli bilgiler verir.



DİKKAT: DİKKAT, yönergelere uyulmadığında donanımın zarar görebileceğini veya veri kaybı olabileceğini belirtir.



UYARI: UYARI, meydana gelebilecek olası maddi hasar, kişisel yaralanma veya ölüm tehlikesi anlamına gelir.

Bu belgedeki bilgiler önceden bildirilmeksizin değiştirilebilir.

© 2013 Dell Inc. Tüm hakları saklıdır.

Dell Inc.'in yazılı izni olmadan bu belgelerin herhangi bir şekilde çoğaltılması kesinlikle yasaktır.

Bu metinde kullanılan ticari markalar: Dell™, DELL logosu, Dell Precision™, OptiPlex™, Latitude™, PowerEdge™, PowerVault™, PowerConnect™, OpenManage™, EqualLogic™, KACE™, FlexAddress™ ve Vostro™, Dell Inc.'in ticari markalarıdır. Intel®, Pentium®, Xeon®, Core™, Celeron® ve Xeon Phi™, Intel Corporation'ın ABD'de ve diğer ülkelerde tescilli ticari markalarıdır. Microsoft®, Windows®, Windows Server®, MS-DOS® ve Windows Vista®; Microsoft Corporation'ın ABD'deki ve/veya diğer ülkelerdeki ticari markaları veya tescilli ticari markalarıdır. Red Hat® ve Red Hat® Enterprise Linux® A.B.D. ve/veya diğer ülkelerde Red Hat, Inc. şirketinin tescilli ticari markalarıdır. Novell® tescilli ticari bir markadır ve SUSE™, Novell Inc.'in Amerika'da ve diğer ülkelerde ticari markasıdır. Oracle®, Oracle Corporation ve/veya bağlı kuruluşlarının tescilli ticari markasıdır. Citrix®, Xen® XenServer® ve XenMotion®, Citrix System Inc.'in ABD ve/veya diğer ülkelerde ticari markaları veya tescilli ticari markalarıdır. VMware®, Virtual SMP®, vMotion®, vCenter® ve vSphere®, VMWare Inc.'in ABD veya diğer ülkelerde tescilli ticari markaları veya ticari markalarıdır. NVIDIA ve Tesla™, NVIDIA Corporation'ın ticari markaları ve/veya tescilli ticari markalarıdır. Ubuntu, Canonical Ltd'nin tescilli ticari markasıdır.

Bu belgede, marka ve adların sahiplerine ya da ürünlerine atıfta bulunmak için başka ticari marka ve ticari adlar kullanılabilir. Dell Inc. kendine ait olanların dışındaki ticari markalar ve ticari isimlerle ilgili hiçbir mülkiyet hakkı olmadığını beyan eder.

Düzenleyici Model: B10S, B05B ve B06B

Düzenleyici Tip: B10S001, B05B001, B06B001 ve B06B002

2013 - 05 P/N NJK8N Rev. A04

DİKKAT: Sınırlı Erişim Yeri

Bu sunucu, şu koşulların her ikisinin de geçerli olduğu yerlerde tanımlandığı şekilde, sadece sınırlı erişim yerlerine montaj amacıyla tasarlanmıştır.:

- Erişim sadece servis personeli veya sınırlı erişim yerine uygulanan kısıtlamaların nedenleri ve alınacak önlemler hakkında bilgilendirilmiş kişiler tarafından sağlanabilir.
- Erişim bir alet veya kilit-anahtar veya diğer güvenlik araçlarının kullanımı ile yapılır ve sınırlı erişim yerinden sorumlu kişi tarafından kontrol edilir.

Kurulum ve Yapılandırma

UYARI: Aşağıdaki prosedürü uygulamadan önce, sistemle birlikte gelen güvenlik yönergelerini okuyun ve bu yönergelere uyun.

PowerEdge C8000 server enclosure, esnek ve ölçeklenebilir bir 4U rafa monte edilen kasadır. PowerEdge C8000'de, bir tam kızağı veya bir karma kızak kasasını destekleyen, on adet dikey yerleştirilmiş kızak bölmesi bulunur. Bir tam kızaklı kasa, beş adede kadar C8220X çift genişlikte programlama kızağı, on adede kadar C8220 tek genişlikte programlama kızağı veya beş adet C8000XD depolama kızağı içerebilir. Bir karma kızak kasası, farklı kızak tipleri karışımını destekleyebilir.


Önerilen Araçlar

Kurulum görevine başlamadan önce, aşağıdaki öğelere sahip olduğunuzdan emin olun:

- #1 Phillips tornavida
- #2 Yıldız tornavida
- Topraklamaya bağlanmış bir topraklama bilekliği
- Antistatik minder veya köpük

Sistemi Paketinden Çıkarma

 **UYARI: Sistemi kaldırmamız gerektiğinde, başkalarından yardım isteyin. Yaralanmadan kaçınmak için, sistemi kendiniz kaldırmaya çalışmayın.**

 **DİKKAT: Sistem bileşenlerine dokunurken topraklama bilekliği takın.**

- 1 PowerEdge C8000 sunucu kasasını üzerine koymak üzere bir antistatik minder veya antistatik köpük hazırlayın.

- 2 Kasayı ambalajından çıkarın ve bir antistatik minder veya antistatik köpük üzerine koyun.
- 3 Gelecekte yine lazım olabileceği için karton kutuları saklayın.

Aletsiz Ray Çözümünün Monte Edilmesi



UYARI: Sistemi kaldırmaz gerektiğinde, başkalarından yardım isteyin. Yaralanmadan kaçınmak için, sistemi kendiniz kaldırmaya çalışmayın.



UYARI: Sistem rafa sabitlenmez veya ray üzerine monte edilmez. Kişisel yaralanmaları veya sistemin hasar görmesini önlemek için, montaj ve söküm sırasında sistemi yeteri kadar desteklemelisiniz.



UYARI: Potansiyel elektrik çarpma tehlikesini önlemek için, raf montajında üçüncü bir kablo topraklama iletkeni gereklidir. Raf ekipmanı uygun soğutmanın sürdürülebilmesi için sisteme yeterli hava akışı sağlamalıdır.



DİKKAT: Ray askıları, düzgün şekilde takılması için raf direklerine yaslanmalıdır.



NOT: Raftaki raylar LEFT (SOL) ve RIGHT (SAĞ) ile işaretlenmiştir. Rafın ön yüzüne bakıyorken, "LEFT" (SOL) ile işaretli olan ray sol raf direğine, "RIGHT" (SAĞ) ile işaretlenmiş olan ise sağ raf direğine takılır.

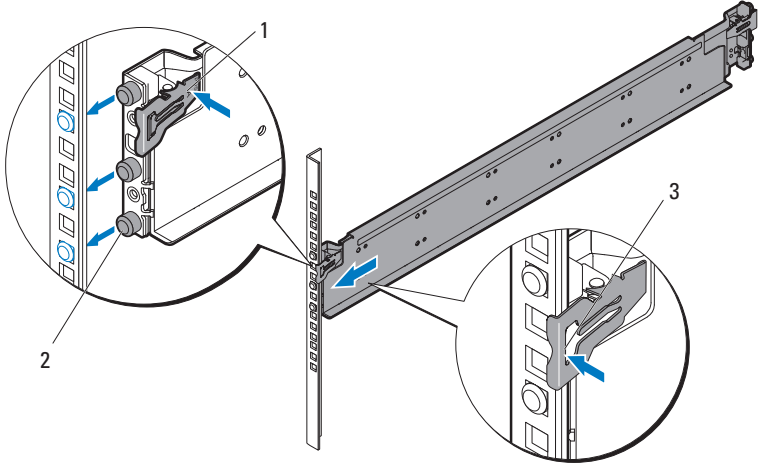
- 1 Rayları rafta nereye yerleştireceğinizi belirleyin. Rafta 4U kasaya yetecek kadar yer olduğundan emin olun. Standart bir rafta, 4U kasanın yüksekliği 12 raf direk deliği kadardır.
- 2 Rayı raf direkleriyle doğru şekilde yönlendirmek için rayın sağ ve sol taraflarındaki işaretleri kullanın.
- 3 Sol rayı ve durdurma braketini rafa takın.
 - a "LEFT" (SOL) ile işaretlenmiş sol rayı raf direklerindeki montaj delikleriyle hizalayın.
 - b Sol rayın ön ucunu açmak için ray açma düğmesine **1** basın ve basılı tutun.
 - c Üç askıyı **2** ön raf direğindeki montaj delikleriyle hizalayın.
 - d Ön raf direğine takıldığında düğmeyi **3** bırakın.



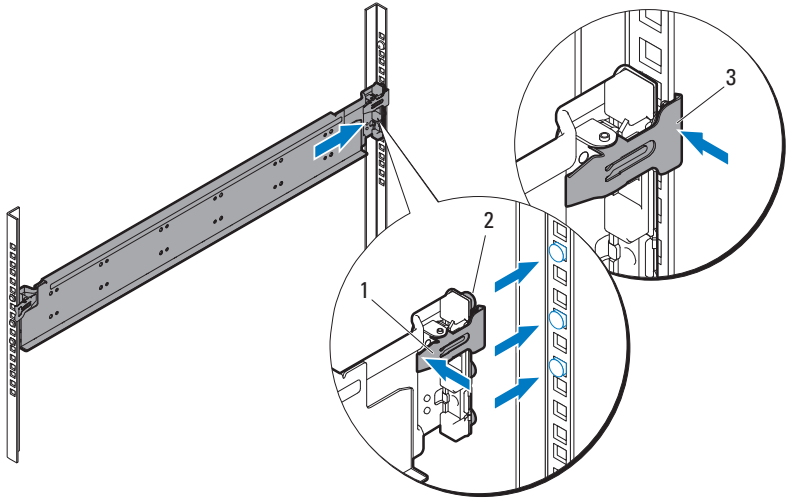
NOT: Ray serbest bırakma düğmesinin doğru şekilde takıldığından emin olun.



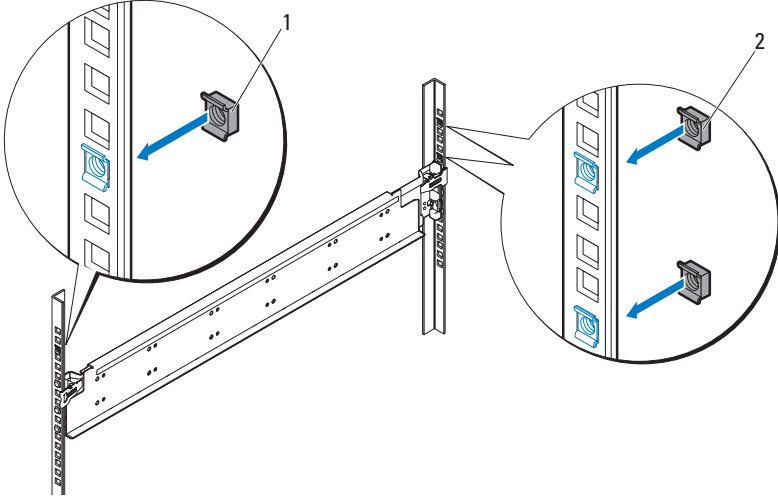
NOT: Raylar hem kare delikli hem yuvarlak delikli raflarda kullanılabilir.



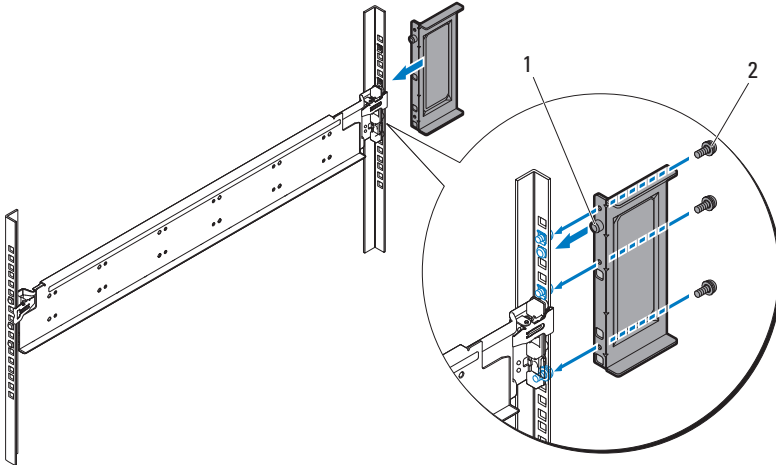
- e Rayın arka ucundaki mandalı açmak için ray açma düğmesine ❶ basın ve basılı tutun.
- f Üç askıyı ❷ arka raf direğindeki montaj delikleriyle hizalayın.
- g Arka raf direğine takıldığında düğmeyi ❸ bırakın.



- h Bir tespit somununu ❶ ön raf direğine, iki tespit somununu ❷ arka raf direğine takın.



- i Durdurma braketini ❶ arka raf direğiyle hizalayın ve 10-32'lik üç vidayı ❷ kullanarak sabitleyin. Vidalara 35 in-lbs tork uygulayın.



4 Sağ rayı ve durdurma braketini rafa takın.

Aynı yordamı kullanarak sağ ray ve durdurma braketini sağ raf direklerine takın.



NOT: Rayları çıkarmak için, uç parçasının ortasındaki ray açma düğmesine basın ve basılı tutun, ardından her rayı yerinden çıkarın.

Sistemin Monte Edilmesi

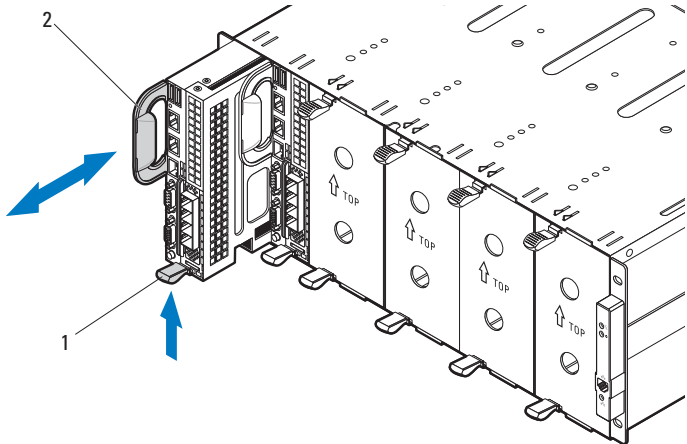
Bu bölümde aşağıdaki alt bölümler vardır:

- Sistemi Boşaltma
- Sistemin Rafa Kurulması
- Kızak Bölmesinin Numaralandırılması
- Sistemi Doldurma
- Rafa Harici PDU Takma
- Raf Yapılandırması

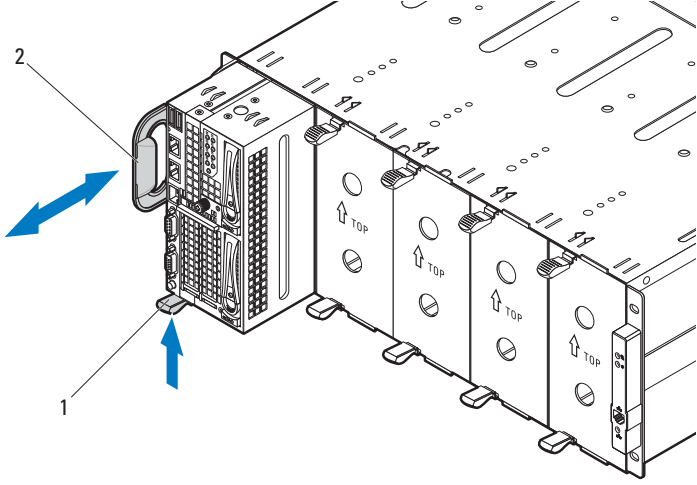
Sistemi Boşaltma

Bir PowerEdge C8000 sunucu kasasını rafa takmadan önce, sistemin ağırlığını azaltmak ve yaralanma riskini ortadan kaldırmak için tüm kızak modüllerini kasadan çıkarın. Tüm kızak modüllerini antistatik bir minder veya antistatik köpük üzerine koyun.

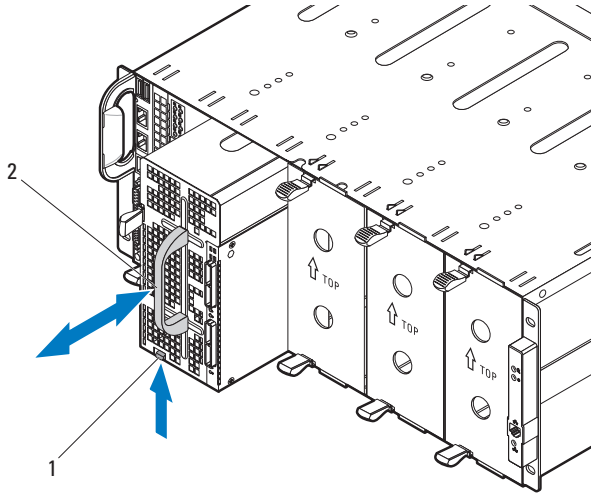
- Bir C8220 tek üniteli bilgisayar kızığını çıkarmak için açma mandalını ❶ yukarı çekin ve kolu ❷ kullanarak kızığı kasadan dışarı kaydırıp çıkarın.



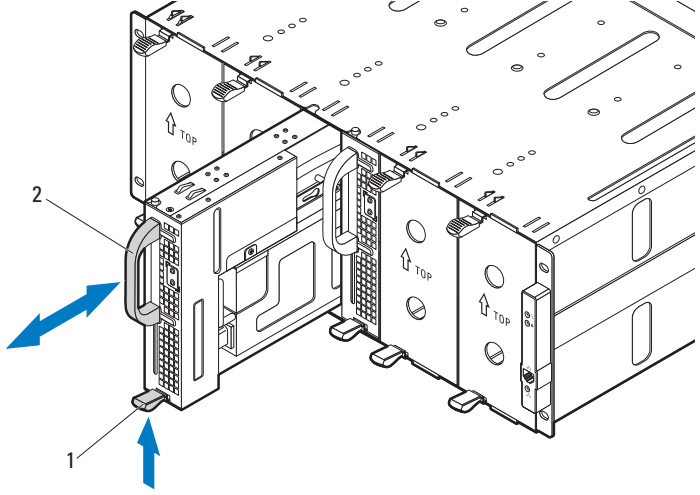
- Bir C8220X çift üniteli bilgisayar kızağını çıkarmak için açma mandalını ❶ yukarı çekin ve kolu ❷ kullanarak kızağı kasadan dışarı kaydırıp çıkarın.



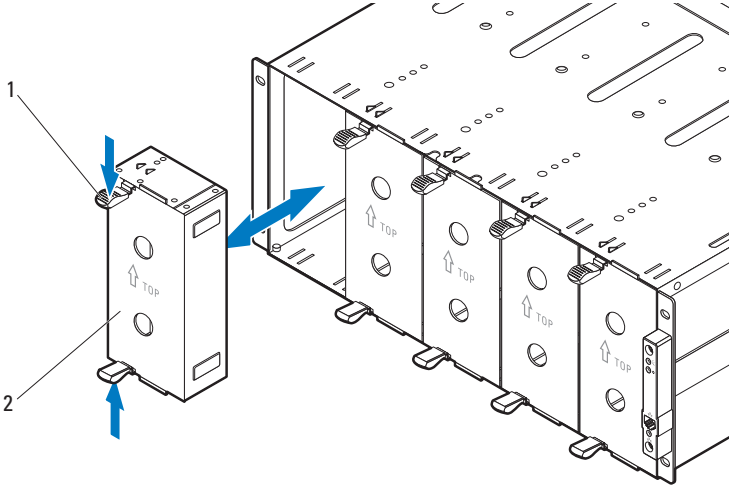
- Bir C8000XD depolama kızağını çıkarmak için açma tırnağını ❶ çekip o şekilde tutun ve kolu ❷ kullanarak kızağı kaydırıp kasadan çıkarın.



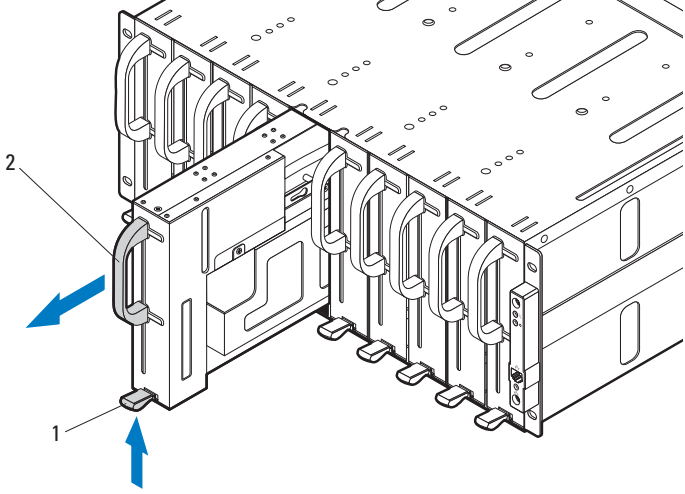
- Bir güç kazağını çıkarmak için açma mandalını **1** yukarı çekin ve kolu **2** kullanarak kazağı kasadan dışarı kaydırıp çıkarın.



- Çift üniteli kızak boşluğunu çıkarmak için, açma mandallarını **1** sıkıp o şekilde tutarak kızak boşluğunu kasadan çekip çıkartın **2**.



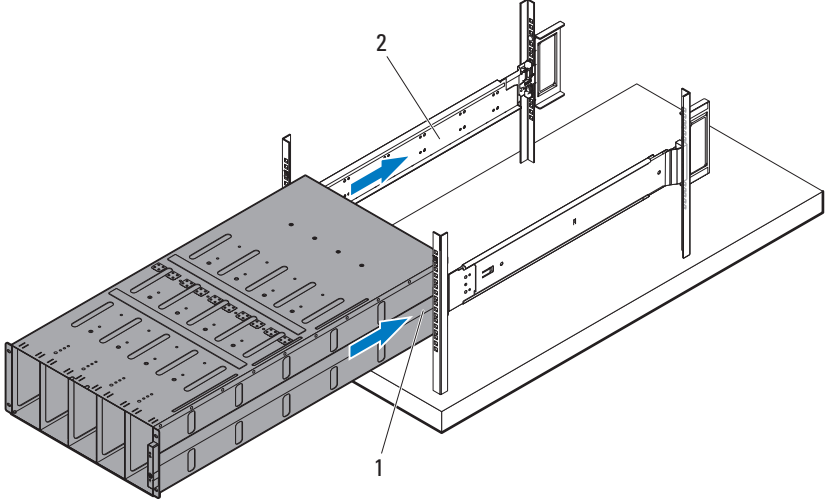
- Tek üniteli bir kızak boşluğunu çıkarmak için açma mandalını ❶ yukarı çekin ve kolu ❷ kullanarak boşluğu kasadan dışarı kaydırıp çıkarın.



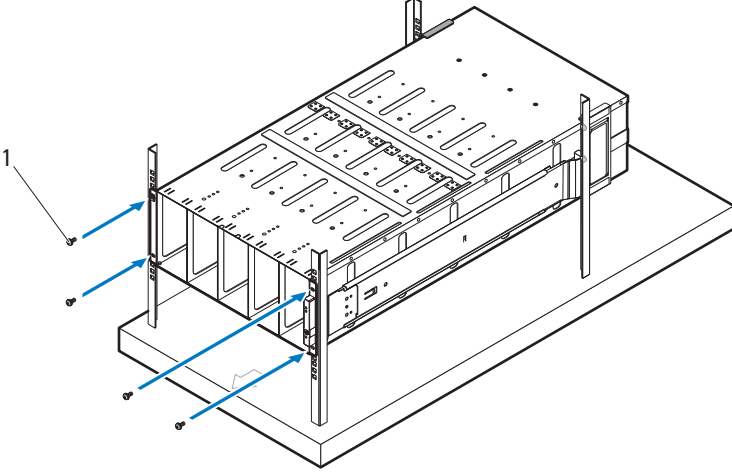
Sistemin Rafa Kurulması

⚠ UYARI: Sistemi kaldırmamız gerektiğinde, başkalarından yardım isteyin. Yaralanmadan kaçınmak için, sistemi kendiniz kaldırmaya çalışmayın.

- 1 Yardım alarak, sunucu kasasını ❶ raylarla hizalayın ❷ ve sonuna kadar rafın içine itin.

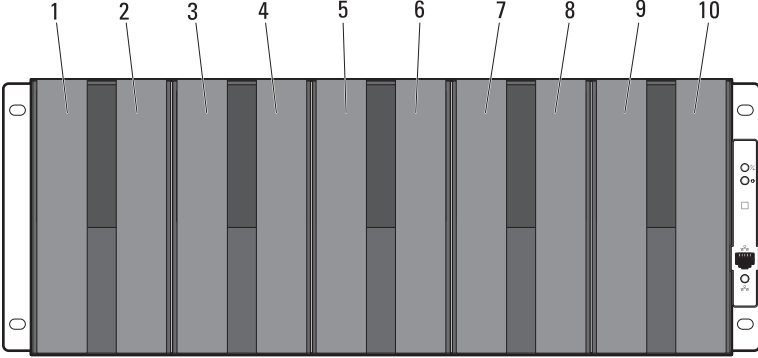


2 Kasanın önünü 10-32'lik dört vida ile ❶ sol ve sağ raf direklerine sabitleyin.



Kızak Bölmesinin Numaralandırılması

PowerEdge C8000 server enclosure, on adet dikey bölmeye ayrılmıştır. Bir C8220 tek üniteli bilgisayar kızağı sunucu kasasında bir kızak bölümünü doldurur, C8220X çift üniteli bilgisayar kızağı veya C8000XD depolama kızağı ise sunucu kasasında iki kızak bölümünü doldurur. Sunucu kasasına bir kızak modülü monte ederken, ilk önce kızak modülünü kızak bölümü 1'e takmalı, sonra kasanın sağ tarafına doğru çalışmalısınız.



Kızak modülü tipi	Kızak Bölmeleri									
	1	2	3	4	5 ^a	6 ^a	7	8	9	10
C8220 tek üniteli bilgisayar kızağı	√	√	√	√	√	√	√	√	√	√
C8220X çift üniteli bilgisayar kızağı	√		√		√		√		√	
C8000XD depolama kızak ^b	√		√		√		√		√	
Güç kızağı ^c	—	—	—	—	√	√	—	—	—	—

a. 5 ve 6 numaralı kızak bölmeleri, iki güç kızağının veya iki C8220 bilgisayar kızağının ya da iki kızak türünün birlikte kullanıldığı bir bileşimin takılmasını destekler.

b. Dahili güç kaynağına sahip bir sunucu kasası için, C8000XD depolama kızakları sadece 3-10 arasındaki kızak yuvalarına takılır.

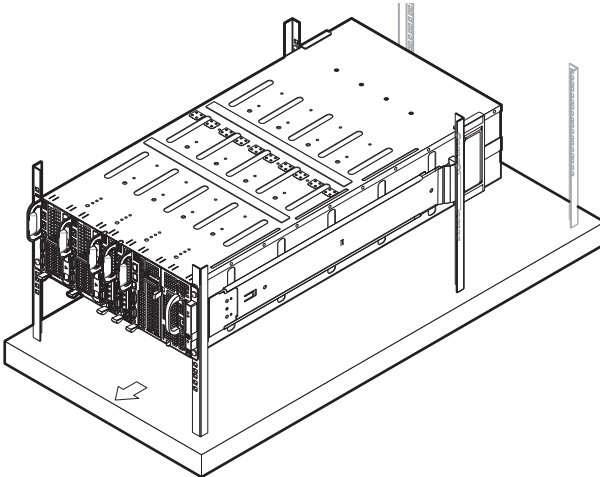
c. Güç kızaklarını sadece 5 ve 6 numaralı kızak yuvalarına takın.

Sistemi Doldurma

- △ **DİKKAT:** Doğru çalışma ve soğutmayı sağlamak için kasa içerisindeki tüm bölmeler ya bir kızak ile ya da bir kızak kapağı ile her zaman dolu tutulmalıdır.
- △ **DİKKAT:** Sistemin sağlıklı soğutulmasını sağlamak için, tüm boş sabit sürücü bölmelerinde sahte sabit sürücüler takılı olmalıdır.

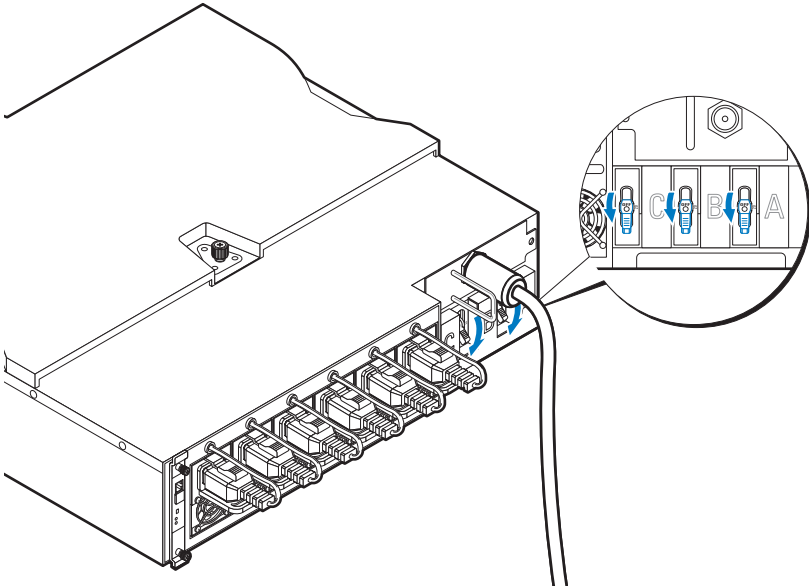
Tüm bileşenleri PowerEdge C8000 sunucu kasasına monte edin.

- Bir C8220 tek genişlikte programlama kızığını monte etmek için, yeni kızığı, kızak ve serbest bırakma mandalı tam olarak yerine oturuncaya kadar kasanın içine doğru itin.
- Bir C8220X çift genişlikte programlama kızığını monte etmek için, yeni kızığı, kızak ve serbest bırakma mandalı tam olarak yerine oturuncaya kadar kasanın içine doğru itin.
- Bir C8000XD depolama kızığını monte etmek için, yeni kızığı, kızak ve serbest bırakma tırnağı tam olarak yerine oturuncaya kadar kasanın içine doğru itin.
- Güç kızığını monte etmek için, yeni kızığı, kızak ve serbest bırakma tırnağı tam olarak yerine oturuncaya kadar kasanın içine doğru itin.
- Çift üniteli bir kızak boşluğunu monte etmek için, boşluğu, kendisi ve açma mandalları tam olarak yerine oturuncaya kadar kasanın içine doğru itin.
- Çift üniteli bir kızak boşluğunu monte etmek için, boşluğu, kendisi ve açma mandalı tam olarak yerine oturuncaya kadar kasanın içine doğru itin.



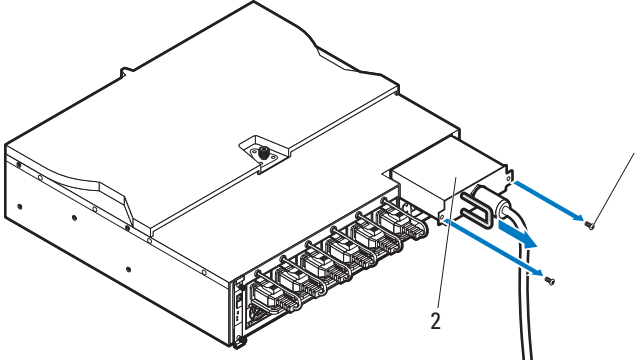
Rafa Harici PDU Takma

- ⚠ UYARI:** Sistemi kaldırmamız gerektiğinde, başkalarından yardım isteyin. Yaralanmadan kaçınmak için, sistemi kendiniz kaldırmaya çalışmayın.
- 🔪 NOT:** PDU cihazıyla ilgili resimler sadece referans içindir. PDU cihazıyla ilgili daha fazla bilgi için PDU cihazının belgelerine bakın.
- 🔪 NOT:** PDU montaj braketleri L ve R ile işaretlenmiştir. "L" ile işaretlenmiş olan ray PDU cihazının soluna, "R" ile işaretlenmiş ray ise sağına takılır.
- ⚠ UYARI:** PDU'da güç varken PDU cihazına güç kabloları takmayın veya çıkarmayın.
- ⚠ UYARI:** Ciddi veya ölümcül elektrik çarpması tehlikesinden korunmak için PDU devre kesme anahtarlarını kapatın.
- 1 A, B ve C devre kesme anahtarını "KAPALI" konuma getirerek PDU devre kesme anahtarlarını kapatın.

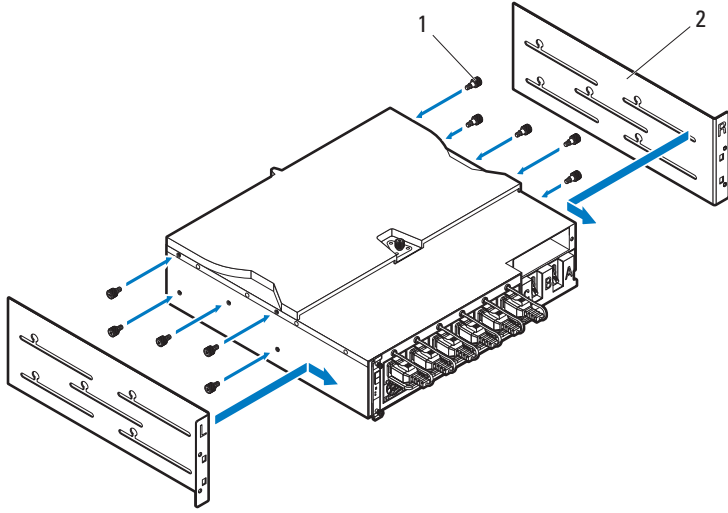


- 2 PDU'nun güç kaynağı ile olan bağlantısını kesin.

- 3** güç kablosu arayüz kutusu (PCIB) modülünü çıkarın.
- a** PCIB modülünü sabitleyen iki vidayı ❶ sökün.
 - b** PCIB'yi kolundan tutarak çekip bölmesinden ❷ çıkarın.

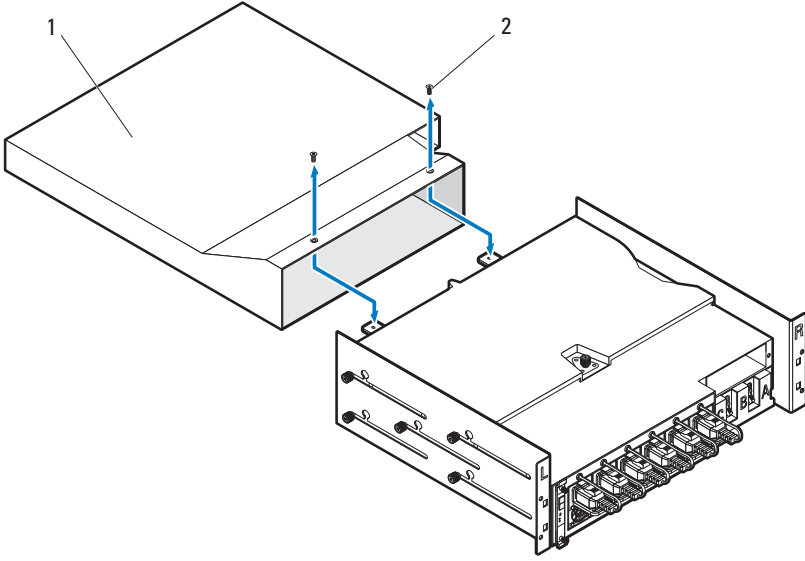


- 4** Montaj braketlerini PDU'nun kenarlarına takın.
- a** 10 vidayı ❶ PDU'nun sağ ve sol tarafına takın.
 - b** "L" ile işaretlenmiş sol montaj braketini, vida delikleriyle PDU'daki vidaları hizalayacak konuma getirin ve braketi yerine ❷ oturana kadar PDU'nun arkasına doğru itin.
 - c** "R" ile işaretlenmiş sağ montaj braketini, vida delikleriyle PDU'daki vidaları hizalayacak konuma getirin ve braketi yerine ❷ oturana kadar PDU'nun arkasına doğru itin.

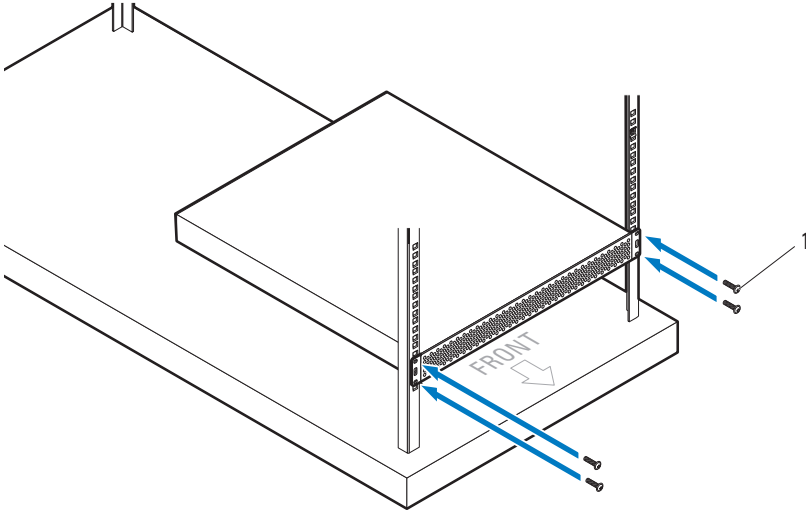


5 Şnorkeli PDU'ya takın.

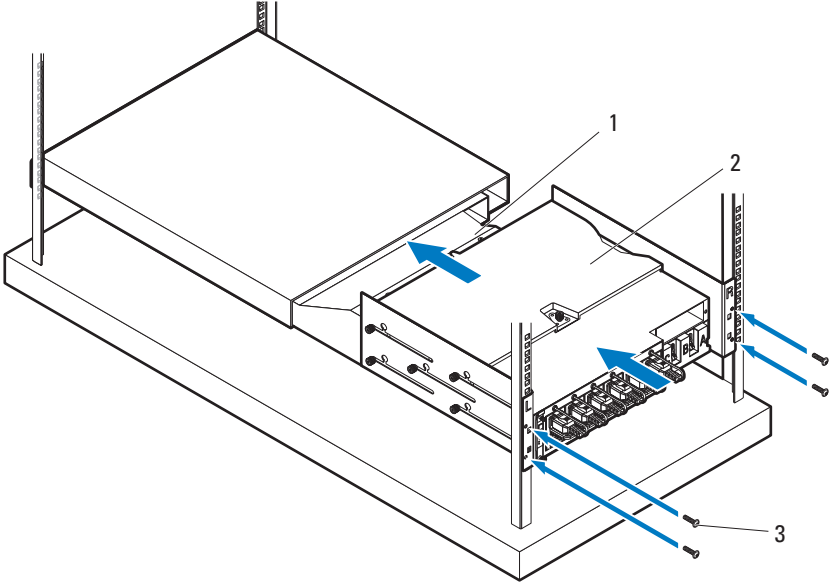
- a** Hava borusunu şnorkelden çıkarın.
- b** Hava borusunu ❶ PDU'nun ön tarafıyla hizalayın.
- c** İki vidayı ❷ kullanarak hava borusunu PDU'nun ön tarafında sabitleyin.



- d Şnorkeli raf direkleriyle hizalayın.
- e Dört vidayı ❶ kullanarak şnorkeli raf direklerine sabitleyin.



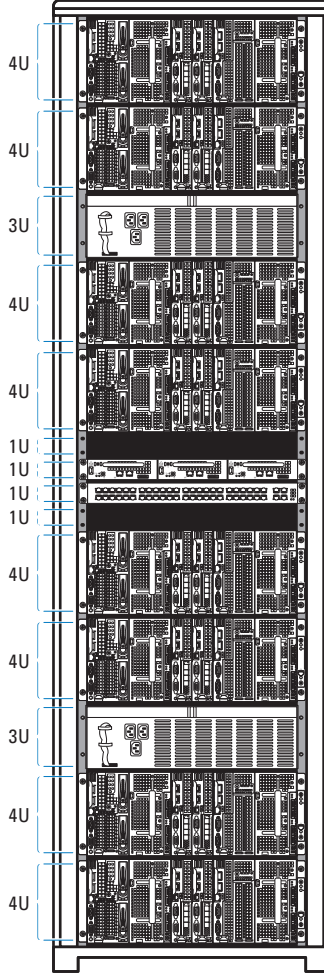
- 6 Yardım alarak, hava borusunu ❶ şnorkele kaydırın ve PDU'nun ❷ arka tarafını raf direklerine dört vidayla ❸ sabitleyin.



Raf Yapılandırması

Aşağıdaki resimde, bir 42U rafta PowerEdge C8000 sunucu kasalarına, güç dağıtım ünitesi (PDU) aygıtlarına, anahtar ve yönlendiriciye sahip örnek bir raf yapılandırması gösterilmiştir.

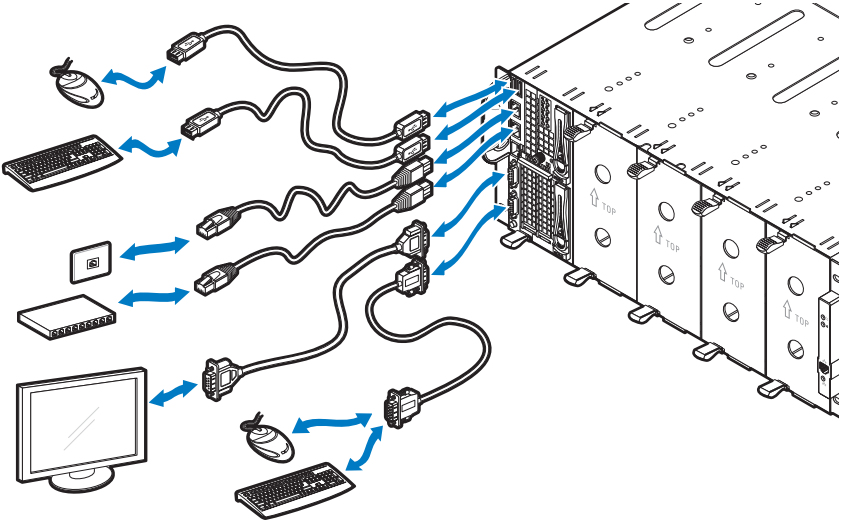
NOT: Raf yapılandırması resmi sadece referans olarak verilmiştir.



Klavye, Fare ve Monitörün Bağlanması

Programlama kızağına bir klavye, fare ve monitör bağlayın (isteğe bağlı).

Aşağıdaki şekil, bir C8220X çift genişlikte programlama kızağına örnek bir klavye, fare ve monitör bağlantısını göstermektedir.

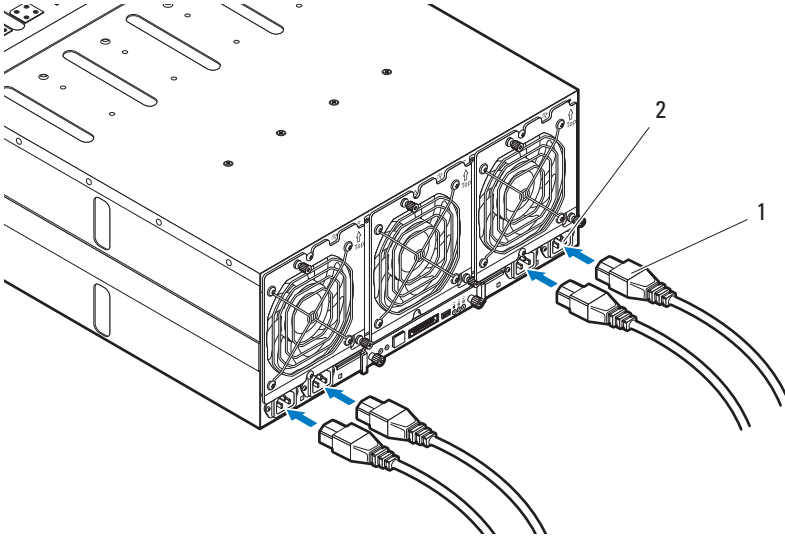


Güç Kablolarını Bağlama

Bu bölümde, dahili veya harici güç kaynağına sahip sunucu kasasının harici bir PDU'ya nasıl bağlanacağına ilişkin talimatlar verilmektedir.

Dahili Güç Kaynağına Sahip Sunucu Kasası

- 1 Kasanın arkasında, güç kablolarını ❶ AC güç soketlerine ❷ takın.

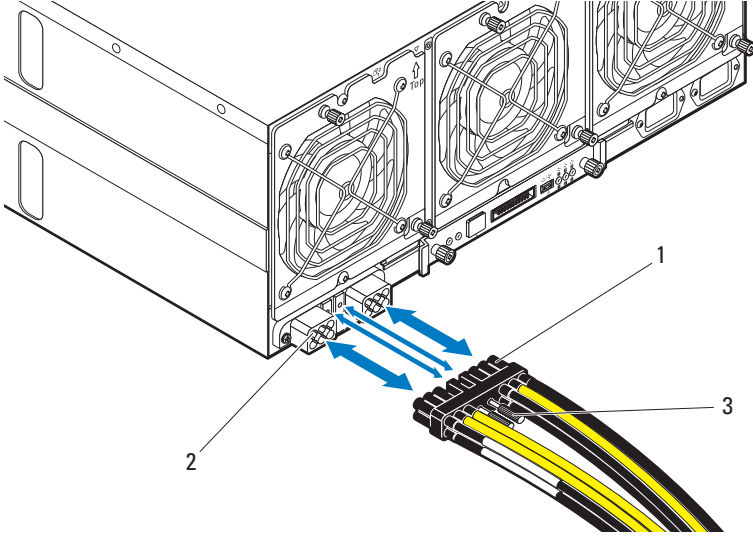


- 2 Güç kablolarının diğer ucunu topraklı bir elektrik prizine ya da kesintisiz güç kaynağı veya PDU gibi ayrı bir güç kaynağına takın.

Harici Güç Kaynağına Sahip Sunucu Kasası

⚠ UYARI: Bağlantıları yapmadan önce tüm cihazlarda gücün kapalı olduğundan emin olun.

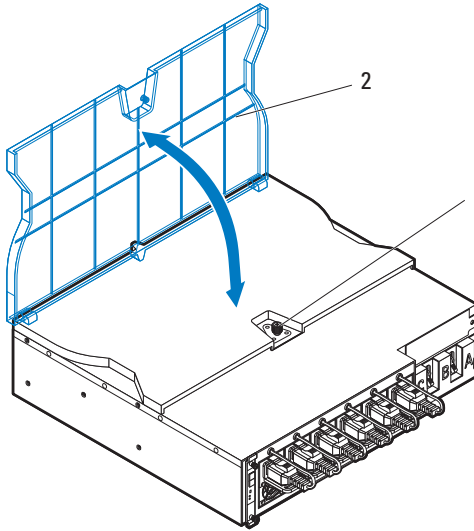
- 1 Kasanın arkasında, güç kablosunu ❶ DC güç soketine ❸ takın.
- 2 Bağlantıyı sabitlemek için kablodaki iki orta vidayı ❷ sıkın.



Sunucu Kasasını Bir Raf PDU'suna Takma

⚠ UYARI: PDU'da güç varken PDU cihazına güç kabloları takmayın veya çıkarmayın. Ciddi veya ölümcül elektrik çarpması tehlikesinden korunmak için PDU devre kesme anahtarlarını kapatın. PDU A, B ve C devre kesme anahtarını "KAPALI" konuma getirin.

- 1 Kablo kapağının ❶ kilidini açın.
- 2 Kapağın ❷ arkasını döndürün ve PDU'dan uzağa koyun.

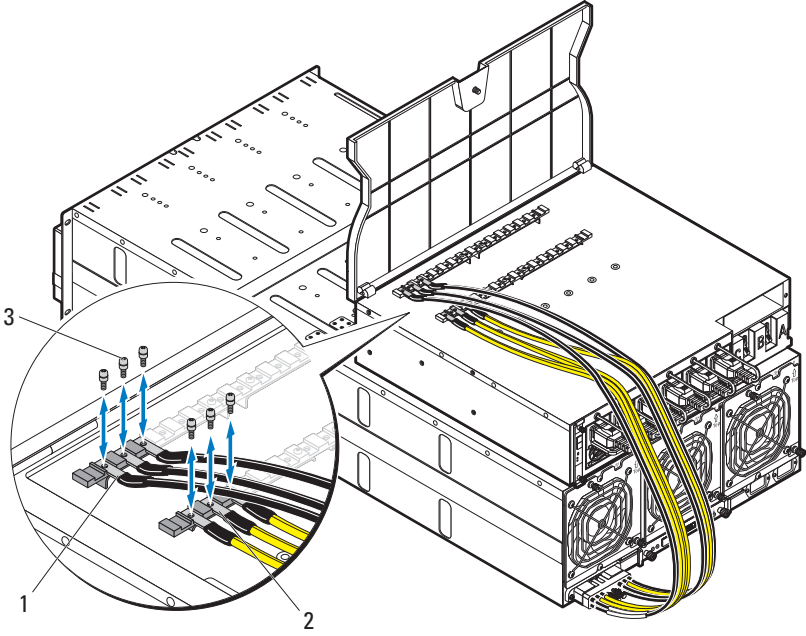


- 3 Sunucu kasasının (kasalarının) güç kablolarını PDU güç veriyolu çubuğuna takın.

🔪 NOT: PDU cihazı, sistem yapılandırmasına ve güçle ilgili bütçeye bağlı olarak maksimum beş PowerEdge C8000 sunucu kasasını destekler.

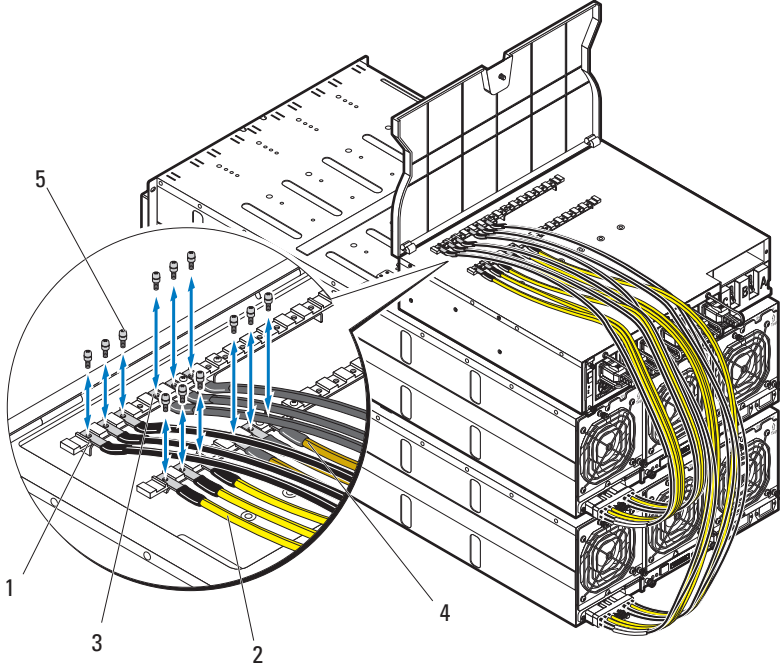
Tek sunucu kasasını PDU'ya bağlamak için:

- a Siyah renkli üç güç kablosu pabucunu ❶ üstteki güç veriyolu çubuğuna (GND) üç vida ile ❸ sabitleyin.
- b Sarı renkli üç güç kablosu pabucunu ❷ alt güç veriyolu çubuğuna üç vida ❸ ile sabitleyin.



Birden çok sunucu kasasını PDU'ya bağlamak için:

- a** İlk sunucu kasasının siyah renkli üç güç kablosu pabucunu ❶ üstteki güç veriyolu çubuğuna (GND) üç vida ile ❷ sabitleyin.
- b** İlk sunucu kasasının sarı renkli üç güç kablosu pabucunu ❸ alt güç veriyolu çubuğuna üç vida ❹ ile sabitleyin.
- c** İkinci sunucu kasasının siyah renkli üç güç kablosu pabucunu ❺ üstteki güç veriyolu çubuğuna (GND) üç vida ile ❻ sabitleyin.
- d** İkinci sunucu kasasının sarı renkli üç güç kablosu pabucunu ❼ alt güç veriyolu çubuğuna üç vida ❽ ile sabitleyin.

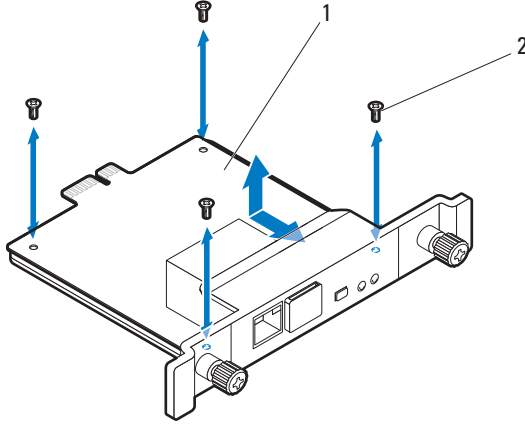


NOT: Tüm güç kablolarının PDU güç veriyolu çubuklarına düzgün ve sağlam şekilde bağlandığından emin olun.

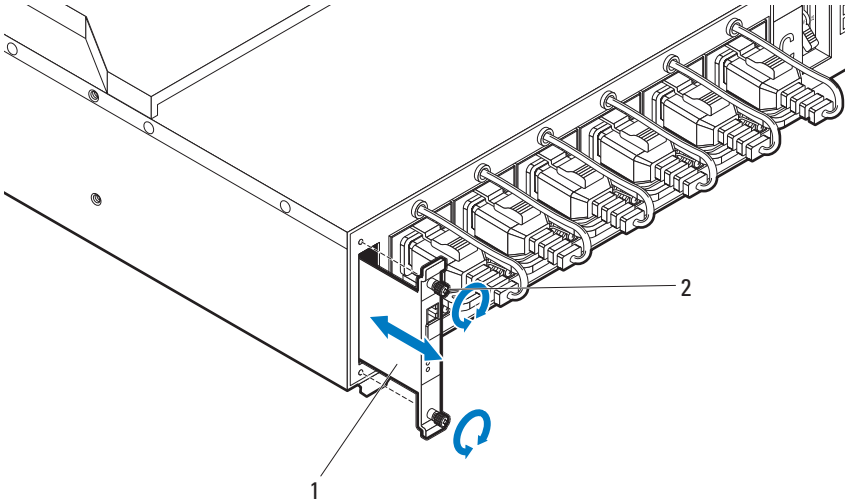
- 4 Kablo kapağını kapatın ve PDU'ya sabitleyin.

PDU'yu Ağa Bağlama

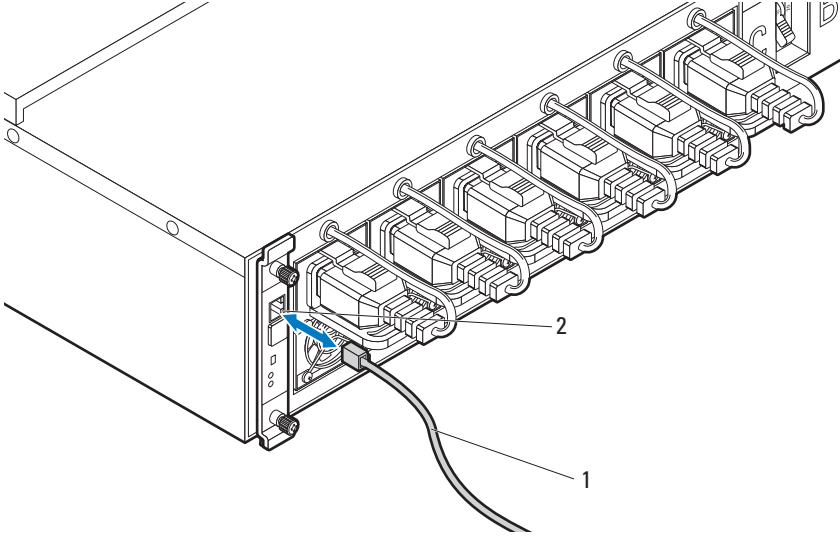
- 1 Güç yönetimi denetleyicisini (PMC) PDU'ya takarak ağınıza bağlayın.
 - a Dört vidayı 2 kullanarak PMC kartını 1 PMC tepsisine sabitleyin.



- b PMC aksamını 1 PDU'ya yerleştirin ve iki kelebek vida 2 ile sabitleyin.



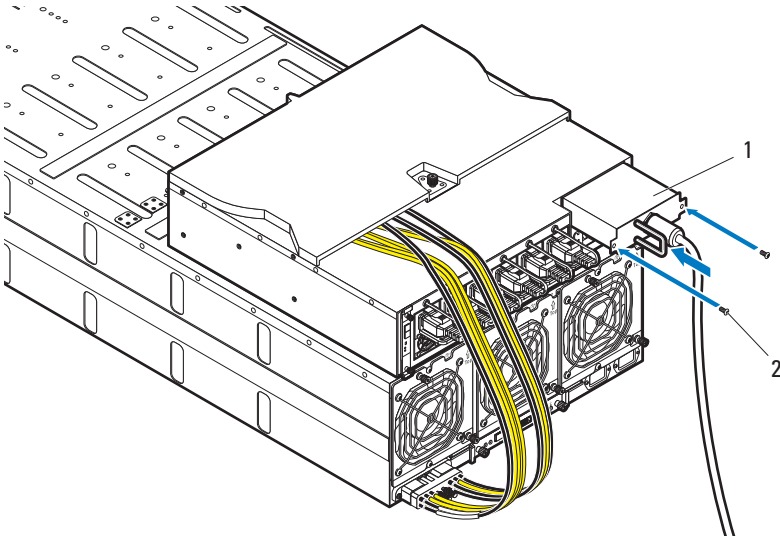
c Ağ kablosunu ❶ NIC portu 1'e ❷ bağlayın.



Sistemlere Güç Sağlama

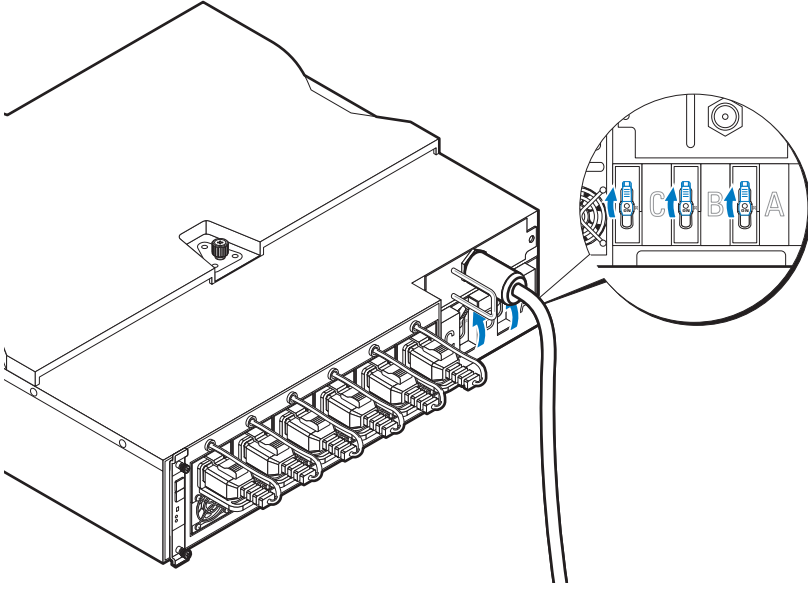
PDU'nun Açılması

- 1 PCIB modülünü PDU'ya takın.
 - a PCIB modülünü PCIB bölmesine ❶ takın.
 - b İki vidayı ❷ kullanarak PCIB modülünü PDU'ya sabitleyin.



- 2 PDU'yu güç kaynağına bağlayın.

- 3 A, B ve C devre kesme anahtarını "AÇIK" konuma getirerek PDU devre kesme anahtarlarını açın.



- 4 PDU cihazının ağ üzerinden izlenebilmesi için, PMC kartında bulunan güç düğmesine basarak PMC kartını açın. PDU'ya güç verildiğinde, PMC kartının önündeki güç/durum göstergesi yeşil renkte yanar.



NOT: Bu kılavuzdaki PMC kartı ve PDU cihazı resimleri sadece referans içindir. PMC kartı ve PDU cihazıyla ilgili daha fazla bilgi için PDU cihazının belgelerine bakın.

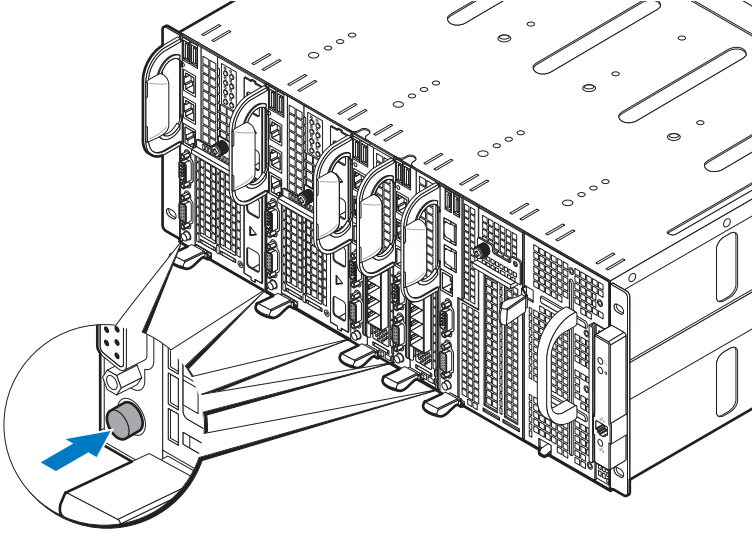
Sunucu Kasasını Açma

Bir güç kaynağına bağlandığında, şebeke gücü otomatik olarak sunucu kasasına dağıtılır. Sunucu kasasına güç verildikten sonra, kasanın ön tarafında yer alan güç/olay göstergesi yeşil renkte yanar ve kasanın içerisindeki tüm kızıklara şebeke gücü uygulanır.

Kızakların Açılması

C8220 veya C8220X programlama kızaklarını açmak için, her bir kızağın üzerindeki güç düğmesine basın veya ana kart yönetimi denetleyicisini kullanarak, kızağa güç verin. Kızağa güç uygulandığında, kızağın ön tarafında yer alan güç göstergesi yeşil renkte yanacaktır. Sunucu kasasına monte edildiğinde, C8000XD depolama kızağı otomatik olarak açılır.

dell.com/support/manuals adresinde yer alan Anakart Yönetim Kontrolörünün Kullanılmasına dair Kılavuza bakın.



İşletim Sistemi Kurulumunu Tamamlama

İşletim sistemini ilk defa kurmak için, işletim sisteminize ait kurulum ve yapılandırma belgelerine bakın. İşletim sisteminin sistemle birlikte satın alınmamış donanım veya yazılım kurulmadan önce kurulduğundan emin olun.

Desteklenen İşletim Sistemleri

- Citrix XenServer Enterprise Edition 5.6
- Citrix XenServer Enterprise Edition 6.1
- Microsoft Windows Server 2008 Enterprise Edition Release 2 (64-bit)
- Microsoft Windows Server 2012
- Microsoft Windows HPC 2008 Release 2
- Microsoft HyperV
- Red Hat Enterprise Linux 6.1 (64-bit)
- Red Hat Enterprise Linux 6.3 (64-bit)
- SUSE Linux Enterprise Server 11 SP2 (64-bit)
- Ubuntu 12.04.1 LTS 64-bit
- VMware ESXi 5.0
- VMware ESXi 5.0 U1
- VMware ESXi 5.0 U2
- VMware ESX 5.1
- VMware ESXi 5.1 U1



NOT: Desteklenen işletim sistemleri hakkında en son bilgiler için, bkz. dell.com/ossupport.

İhtiyacınız Olabilecek Diğer Bilgiler



UYARI: Sisteminizle birlikte gelen güvenlik ve düzenleme bilgilerine bakın. Garanti bilgileri bu belgeye dahil edilmiş veya ayrı bir belge olarak eklenmiş olabilir.

- Sistem özellikleri, sorun giderme ve bileşen değişimi hakkındaki bilgiler için, PowerEdge C8000EP Donanım Sahibinin Kılavuzu'na bakınız. Bu belge dell.com/support/manuals adresinde bulunmaktadır
- Sistem özellikleri, sorun giderme ve bileşen değişimi hakkındaki bilgiler için PowerEdge C8220 Donanım Sahibinin Kılavuzu'na bakınız. Bu belge dell.com/support/manuals adresinde bulunmaktadır
- Sistem özellikleri, sorun giderme ve bileşen değişimi hakkındaki bilgiler için PowerEdge C8220X Donanım Sahibinin Kılavuzu'na bakınız. Bu belge dell.com/support/manuals adresinde bulunmaktadır
- Sistem özellikleri, sorun giderme ve bileşen değişimi hakkındaki bilgiler için PowerEdge C8000XD Donanım Sahibinin Kılavuzu'na bakınız. Bu belge dell.com/support/manuals adresinde bulunmaktadır
- Ana Kart Yönetim Kontrolörü Rehberi sistemleri yönetim yardımcı programının kurulumu ve kullanımı hakkında bilgi vermektedir. Bu belge dell.com/support/manuals adresinde bulunmaktadır



NOT: Her zaman güncellemeleri kontrol edin ve genellikle diğer belgelerdeki bilgileri geçersiz kıldığından önce güncellemeleri okuyun.

NOM Bilgileri

PowerEdge C8000

Aşağıdaki bilgiler, resmi Meksika standartlarına (NOM) uygun olarak bu belgede açıklanan aygıt için verilmektedir:

İthalatçı:	Dell Inc. de México, S.A. de C.V. Paseo de la Reforma 2620-11° Piso Col. Lomas Altas 11950 México, D.F.
Model numarası:	B10S
Besleme gerilimi:	200–240 V CA (dört adet 1400 W AC Güç Kaynağı Ünitesi ile birlikte) veya 12 V DC (harici PDU ile)
Frekans:	50–60 Hz
Akım tüketimi:	9 A (x4) (dört adet 1400 W AC Güç Kaynağı Ünitesi ile birlikte) veya 480 A (harici PDU ile)

PowerEdge C8220

Aşağıdaki bilgiler, resmi Meksika standartlarına (NOM) uygun olarak bu belgede açıklanan aygıt için verilmektedir:

İthalatçı:	Dell Inc. de México, S.A. de C.V. Paseo de la Reforma 2620-11° Piso Col. Lomas Altas 11950 México, D.F.
Model numarası:	B05B
Besleme gerilimi:	12 V DC
Akım tüketimi:	42 A

PowerEdge C8220X

Aşağıdaki bilgiler, resmi Meksika standartlarına (NOM) uygun olarak bu belgede açıklanan aygıt için verilmektedir:

İthalatçı:	Dell Inc. de México, S.A. de C.V. Paseo de la Reforma 2620-11° Piso Col. Lomas Altas 11950 México, D.F.
Model numarası:	B06B
Besleme gerilimi:	12 V DC
Akım tüketimi:	92 A

PowerEdge C8000XD

Aşağıdaki bilgiler, resmi Meksika standartlarına (NOM) uygun olarak bu belgede açıklanan aygıt için verilmektedir:

İthalatçı:	Dell Inc. de México, S.A. de C.V. Paseo de la Reforma 2620-11° Piso Col. Lomas Altas 11950 México, D.F.
Model numarası:	B06B
Besleme gerilimi:	12 V DC
Akım tüketimi:	30 A

Teknik Özellikler

Programlama Kızağı Spesifikasyonları (Kızak Başına)

İşlemci

İşlemci tipi İki adet Intel Xeon E5 serisi işlemci

İşlemci Soketi İki adet LGA 2011

Sistem yonga kümesi

Platform Denetleyici Hub'ı Intel X79

Ağ denetleyicisi Intel i350-BT2

Görüntü denetleyicisi Aspeed AST2300

Bellek

Bellek türü DDR3 UDIMM, RDIMM, LRDIMM

Bellek modülü soketleri 16 DIMM soket

Bellek modülü kapasiteleri 2 GB, 4 GB, 8 GB, 16 GB ve 32 GB RDIMM

Minimum RAM 512 MB UDIMM; 1 GB RDIMM

Maksimum RAM 128 GB UDIMM; 256 GB RDIMM

No. Bellek kanalı sayısı (CPU başına) 4 kanal

Depolama cihazı

PowerEdge C8220 tek genişlikte programlama kızağı

- 3 Gb/s SATA bağlantı noktası x 4
- 6 Gb/s SATA bağlantı noktası x 2
- 2,5 inç SATA HDDs x2

PowerEdge C8220X çift genişlikte programlama kızağı

- 3 Gb/s SATA bağlantı noktası x 4
- 6 Gb/s SATA bağlantı noktası x 2
- 2,5 inç SATA HDDs x 2
- 2,5 inç SAS/SATA HDDs x 8 veya 3,5 inç SAS/SATA HDDs x 4
- 2,5 inç tak-çalıştır SAS/SATA HDDs x 2 (PowerEdge C8220X, önden erişimli 2,5 inç tak-çalıştır sabit sürücülü)

Programlama Kızađı Spesifikasyonları (Kızak Bařına)(devamı)

Ekran Kartı

PowerEdge C8220X çift genişlikte programlama kızađı	GPGPU/MIC'li PowerEdge C8220X <ul style="list-style-type: none">• NVIDIA Tesla M2090• NVIDIA Tesla K20• Intel Xeon Phi 5110P
---	--

Geniřletme yuvaları

PowerEdge C8220 tek genişlikte programlama kızađı	<ul style="list-style-type: none">• Bir adet x16 PCI Express 2.0 yuva• Bir adet x8 ara yuva
PowerEdge C8220X çift genişlikte programlama kızađı	<ul style="list-style-type: none">• İki adet x8 PCI Express 3.0 yuva (x16 konektör tipi)• Bir adet x8 ara yuva
GPGPU/MIC çift üniteli PowerEdge C8220X sistem kızađı	<ul style="list-style-type: none">• Tek yükseltici ile bir adet x16 PCI Express 3.0 yuva• Kablolu bir adet x16 PCI Express 3.0 yuva• Bir adet x8 ara yuva

Arabirimler:

BMC yönetim portu	1 ön
NIC	İki adet 1 Gb'lık NIC bağlantı noktası
Seri	1 ön
VGA	1 ön
USB	2 ön
UID LED'i	1 ön

Power (Güç)

Piller	
Sistem pili	CR 2032 3.0-V lityum iyon düğme pil
RAID pil (isteğe bađlı)	3,7 V lityum iyon pil paketi

Depolama Kızađı Spesifikasyonları (Kızak Bařına)

HDD Kızađı Yapılandırması

Çift port modu (yedek)	Standart taşıyıcı
Yek port modu (yedeksiz)	<ul style="list-style-type: none">• Standart taşıyıcı• Esnek taşıyıcı• Geniřletme taşıyıcısı
Geniřletme modu (bölgeleme yok/ iki bölge/dört bölge)	Geniřletme taşıyıcısı

Depolama cihazı

Standart taşıyıcı	3,5 inç SAS/SATA/SSD HDD x 12
Esnek taşıyıcı	2,5 inç SAS/SATA/SSD HDD x 12
Geniřletme taşıyıcısı	2,5 inç SSD HDD x 24
Arabirim	
Mİni-SAS	4 ön

Güç Kızađı Spesifikasyonları (Kızak Bařına)

Arabirimler:

Güç LED'i	2 ön
Güç konektörü	2 DC konektörü (12 V ve GND)

Güç kaynađı modülü (güç kaynađı başına)

Watt Deđeri	1400 W
Konektör	IEC C20
Gerilim	200–240 V AC, 50–60 Hz, 9 A maks
Isı dađıtımı	1205 BTU/saat. Maksimum
Maksimum ani akım	Normal hat kořulları altında ve tüm sistemin ortam çalıřma aralıđının üzerinde, ani akım 10 ms veya daha kısa bir süre için güç kaynađı başına 25 A'ya ulaşabilir.

Sunucu Kasası Spesifikasyonları

Fiziksel

Yükseklik	17,5 cm (6,9 in.)
Genişlik	44,7 cm (17,6 inç)
Derinlik	81,3 cm (32,0 in.)
Ağırlık (boş durumda)	17,93 kg (39,53 lbs.)

Kızak Desteği

Dahili güç kaynağına sahip sunucu kasası	<ul style="list-style-type: none">• 8 adede kadar C8220 tek genişlikte programlama kızağı• 4 adede kadar C8220X çift genişlikte programlama kızağı• 4 adede kadar C8000XD depolama kızağı• 2 adede kadar güç kızağı
Harici PDU'ya sahip sunucu kasası	<ul style="list-style-type: none">• 10 adede kadar C8220 tek genişlikte programlama kızağı• 5 adede kadar C8220X çift genişlikte programlama kızağı• 5 adede kadar C8000XD depolama kızağı

Arabirimler:

NIC	İki adet 10/100M NIC bağlantı noktası (1 ön, 1 arka)
Seri	1 arka
Güç/olay LED'i	2 (1 ön, 1 arka)
UID LED'i	2 (1 ön, 1 arka)
Ethernet aktivitesi LED'i	1 ön
Termal sensör	1 ön
Sistem fanı modülü arızası LED'i	3 arka

Sistem fanları

Fan tipi	3 fan modülü (modül başına 2 soğutma fanı/ toplam 6)
----------	--

Sunucu Kasası Spesifikasyonları

Power (Güç)

DC güç kaynağı

Gerilim

harici PDU ile 12 V DC, 50–60 Hz, 680 A maks., 6 PSU dolu

Çevre Özellikleri

NOT: Belirli sistem yapılandırmalarına ilişkin çevresel ölçümlerle ilgili ek bilgi için, bkz. www.dell.com/environmental_datasheets.

Sıcaklık

Çalışma Saatte maksimum 10°C'lik sıcaklık değişimli
10° - 35°C (50° - 95°F)

Depolama Saatte maksimum 20°C'lik sıcaklık değişimli
–40 °C ila 65 °C (40 °F ila 149 °F)

Bağıl Nem

Çalışma Saatte maksimum %10'luk nem değişimli %20 -
%80 (yoğunlaşmasız)

Depolama %5 - %95 (yoğuşmasız)

Maksimum titreşim

Çalışma 5–350 Hz'te 0.26 Grm

Depolama 15 dakika için 10–500 Hz'de 1,87 Grm

Maksimum sarsıntı

Çalışma Çalışma yönünde 2,6 ms için 31 G'lik pozitif z
ekseninde (sistemin her tarafında tek darbe) tek
sarsıntı darbesi

Depolama 2 ms'ye kadar 71 G'lik pozitif ve negatif x, y ve z
eksenlerinde (sistemin her bir tarafında tek darbe)
art arda uygulanan altı sarsıntı darbesi;
235 inç/saniye (597 santimetre/saniye) hız değişimi ile
27 G'lik tam olarak kare dalgalı darbe ile pozitif ve
negatif x, y ve z eksenlerinde (sistemin her bir tarafında
tek darbe) art arda uygulanan altı sarsıntı darbesi

Çevre Özellikleri (devamı)

Yükseklik

Çalışma

-16 ila 3.048 m (-50 to 10,000 fit)

NOT: 900 metrenin üzerindeki rakımlarda, maksimum çalışma sıcaklığı 1°C/300 m oranında düşer.

Depolama

-16 ila 10, 600 m (-50 to 35,000 fit)

Havadan Geçen Madde Düzeyi

Sınıf

ISA-S71.04-1985 ile tanımlanan biçimde G1

תנאי סביבה

<p>הערה: למידע נוסף על מידות סביבתיות עבור תצורות מערכת ספציפיות, בקר בכתובת dell.com/environmental_datasheets.</p>	
<p>טמפרטורה הפעלה 10° עד 35° צלזיוס (50° עד 95° פרנהייט) עם שינוי הדרגתי מרבי בטמפרטורה של 10° צלזיוס בשעה</p>	
<p>אחסון -40° עד 65° צלזיוס (-40° עד 149° פרנהייט) עם שינוי הדרגתי מרבי בטמפרטורה של 20° צלזיוס בשעה</p>	
<p>לחות יחסית הפעלה 20% עד 80% (ללא עיבוי) עם שינוי לחות הדרגתי מרבי של 10% בשעה 5% עד 95% (ללא עיבוי)</p>	
<p>רטט מרבי הפעלה 0.26 Grms ב-5-350 הרץ</p>	
<p>אחסון 1.87 Grms ב-10-500 הרץ למשך 15 דקות</p>	
<p>זעזוע מרבי הפעלה פעימת זעזוע אחת בציר z החיובי (פעימה אחת בכל צד של המערכת) של 31 G למשך 2.6 אלפיות שנייה באוריינטציה התפעולית</p>	
<p>אחסון שש פעימות הלם המופעלות בזו אחר זו בצירי x, y ו-z החיוביים והשליליים (פעימה אחת בכל צד של המערכת) בעוצמה של 71 G למשך עד 2 אלפיות השנייה;</p>	
<p>שש פעימות הלם המופעלות בזו אחר זו בצירי x, y ו-z החיוביים והשליליים (פעימה אחת בכל צד של המערכת) בעוצמה של 27 G של פעימת גל מרובע (faired square) עם שינוי מהירות ב-235 אינץ';שנייה (597 ס"מ/שנייה)</p>	
<p>גובה הפעלה 16- עד 3,048 מטר (-50 עד 10,000 רגל)</p>	
<p>הערה: בגבהים שמעל 2,950 רגל, טמפרטורת ההפעלה המרבית יורדת בשיעור של 1° פרנהייט לכל 550 רגל.</p>	
<p>אחסון 16- עד 10,600 מ' (-50 עד 35,000 רגל)</p>	
<p>רמת זיהום אווירי סיווג G1 כמוגדר בתקן ISA-S71.04-1985</p>	

מארז שרתים - מפרטים	
פיזי	
גובה	17.5 ס"מ (6.9 אינץ') <
רוחב	44.7 ס"מ (17.6 אינץ') <
עומק	81.3 ס"מ (32.0 אינץ') <
משקל (ריק)	17.93 ק"ג (39.53 ליברות)
תמיכה במדף נשלף	
מארז שרתים בעל ספק כוח פנימי	<ul style="list-style-type: none"> • עד 8 מדפים נשלפים ברוחב יחיד מסוג C8220 • עד 4 מדפים נשלפים ברוחב כפול מסוג C8220X • עד 4 מדפי אחסון נשלפים מסוג C8000XD
מארז שרת עם PDU חיצוני	<ul style="list-style-type: none"> • עד שני מדפי חשמל נשלפים • עד 10 מדפי חישוב נשלפים ברוחב יחיד מסוג C8220 • עד 5 מדפים חישוב נשלפים ברוחב כפול מסוג C8220X • עד 5 מדפי אחסון נשלפים מסוג C8000XD
ממשקים	
כרטיס ממשק רשת (NIC)	שתי יציאות לכרטיסי NIC של 10/100Mbit (אחת בחזית, אחת בגב המארז)
טורי	אחת בגב המארז
נורית אספקת מתח/אירוע	שתיים (אחת בחזית, אחת בגב המארז)
נורית חיווי UID	שתיים (אחת בחזית, אחת בגב המארז)
נורית פעילות Ethernet	אחד בחזית
חיישן חום	אחד בחזית
נורית לציון כשל במודול מאווררי המערכת	שלוש בגב המארז
מאווררי המערכת	
סוג מאוורר	3 מודולי מאווררים (2 מאווררים לכל מודול/6 סך הכול)
חשמל	
ספק זרם ישר	
מתח	
עם יחידת חלוקת הכוח (PDU) חיצונית	12 וולט ז"י, 50–60 הרץ, 680 אמפר מקסימום, כאשר 6 יחידות PSU מאוכלסות

מדף נשלף למערכות אחסון - מפרטים (לכל מדף נשלף בנפרד)

תצורת מדפים נשלפים HDD	
תא סטנדרטי	מצב יציאה כפולה (יתירות)
• תא סטנדרטי	מצב יציאה יחידה (ללא יתירות)
• תא גמיש	
• תא הרחבה	
תא הרחבה	מצב הרחבה (ללא אזורים/ שני אזורים/ארבעה אזורים)
התקן אחסון	
SAS/SATA/SSD שניים-עשר כוננים קשיחים בגודל 3.5 אינץ'	תא סטנדרטי
SAS/SATA/SSD שניים-עשר כוננים קשיחים בגודל 2.5 אינץ'	תא גמיש
עשרים וארבעה שני כוננים קשיחים SSD בגודל 2.5 אינץ'	תא הרחבה
ממשק	
ארבעה בחזית	Mini-SAS

מדפים נשלפים למערכות הזנה - מפרטים (לכל מדף נשלף בנפרד)

ממשקים	
נורית הפעלה	שתיים בחזית
מחבר למערכת הזנה	שני מחברי DC (12 וולט ו-GND)
מודול ספק כוח (לאספקת מתח)	
הספק חשמלי	1400 וואט
מחבר	IEC C20
מתח	200-240 וולט AC, 50-60 הרץ, 9 אמפר מקסימום
פיזור חום	1205 BTU לשעה - מקסימלי
זרם נכנס מקסימלי	בתנאי קו רגילים ובטווח הפעלה בתנאי סביבה של המערכת כולה, הזרם הנכנס עשוי להגיע ל-25 אמפר לכל ספק כוח ב-10 אלפיות השנייה או פחות

כרטיס גרפי	
PowerEdge C8220X עם GPGPU/MIC	מדף נשלף ברוחב כפול מסוג PowerEdge C8220X
• NVIDIA Tesla M2090	
• NVIDIA Tesla K20	
• Intel Xeon Phi 5110P	
חריצי הרחבה	
• חריץ אחד עבור x16 PCI Express 2.0	מדף נשלף ברוחב יחיד מסוג PowerEdge C8220
• חריץ מזאנין אחד x8	
• שני חריצי x8 PCI Express 3.0 (מחבר מסוג x16)	מדף נשלף ברוחב כפול מסוג PowerEdge C8220X
• חריץ מזאנין אחד x8	
• חריץ אחד מסוג x8 PCI Express 3.0 באמצעות כרטיס אחד	מדף נשלף ברוחב כפול, מסוג PowerEdge C8220X עם GPGPU/MIC
• חריץ אחד מסוג x8 PCI Express 3.0 באמצעות כבל	
• חריץ מזאנין אחד x8	
ממשקים	
אחד בחזית	יציאת ניהול BMC
שתי יציאות NIC 1Gb	כרטיס ממשק רשת (NIC)
אחד בחזית	טורי
אחד בחזית	VGA
שתיים בחזית	USB
אחד בחזית	נורית חיווי UID
חשמל	
סוללות	
סוללת מטבע ליתיום יון CR 2032 3.0-V	סוללת מערכת
ערכת סוללות ליתיום-יון 3.7 וולט	סוללת RAID (אופציונלי)

מפרט טכני

מדף נשלף - מפרטים (לכל מדף נשלף בנפרד)

מעבד	
Intel Xeon E5 מסדרת	סוג מעבד
LGA 2011 (שניים)	שקע למעבד
ערכת השבבים של המערכת	
Intel X79	רכזת בקרי פלטפורמה
Intel i350-BT2	בקר רשת
Aspeed AST2300	בקר וידאו
זיכרון	
DDR3 UDIMM, RDIMM, LRDIMM	סוג זיכרון
16 שקעים לרכיבי DIMM	שקעים של מודולי זיכרון
רכיבי RDIMM של 2 גאיגה-בתים, 4 גאיגה-בתים, 8 גאיגה-בתים, 16 גאיגה-בתים ו-32 גאיגה-בתים	קיבולות מודולי זיכרון
UDIMM של 512 מגה-בתים; RDIMM של 1 גאיגה-בתים	זיכרון RAM מינימלי
רכיבי UDIMM של 128 גאיגה-בתים; רכיבי RDIMM של 256 גאיגה-בתים	זיכרון RAM מקסימלי
4 ערוצים	מספר ערוצי זיכרון (לכל יחידת CPU)
התקן אחסון	
<ul style="list-style-type: none"> • ארבע יציאות SATA של 3 גאיגה-סיביות/שנייה • שתי יציאות SATA של 6 ג'יגה-סיביות/שנייה • שני כוננים קשיחים SATA בגודל 2.5 אינץ' • ארבע יציאות SATA של 3 גאיגה-סיביות/שנייה • שתי יציאות SATA של 6 ג'יגה-סיביות/שנייה • שני כוננים קשיחים SATA בגודל 2.5 אינץ' • שמונה כוננים קשיחים SAS/SATA בגודל 2.5 אינץ' או ארבעה כוננים קשיחים SAS/SATA בגודל 3.5 אינץ' • שני כוננים קשיחים בגודל 2.5 אינץ' לחיבור חם • SAS/SATA (PowerEdge C8220X) עם גישה קדמית כוננים קשיחים לחיבור חם בגודל 2.5 אינץ' 	מדף נשלף ברוחב יחיד מסוג PowerEdge C8220
	מדף נשלף ברוחב כפול מסוג PowerEdge C8220X

PowerEdge C8220X

להלן מידע הנוגע להתקן המתואר במסמך זה, בהתאם לדרישות של התקנים המקסיקניים הרשמיים (NOM):

Dell Inc. de México, S.A. de C.V.	יבואן:
Paseo de la Reforma 2620-11° Piso	
Col. Lomas Altas	
.México, D.F 11950	
B06B	מספר דגם:
DC וולט 12	מתח חשמלי:
92 אמפר	צריכת זרם:

PowerEdge C8000XD

להלן מידע הנוגע להתקן המתואר במסמך זה, בהתאם לדרישות של התקנים המקסיקניים הרשמיים (NOM):

Dell Inc. de México, S.A. de C.V.	יבואן:
Paseo de la Reforma 2620-11° Piso	
Col. Lomas Altas	
.México, D.F 11950	
B06B	מספר דגם:
DC וולט 12	מתח חשמלי:
30 אמפר	צריכת זרם:

מידע על NOM

PowerEdge C8000

להלן מידע הנוגע להתקן המתואר במסמך זה, בהתאם לדרישות של התקנים המקסיקניים הרשמיים (NOM):

Dell Inc. de México, S.A. de C.V.	יבואן:
Paseo de la Reforma 2620-11° Piso Col. Lomas Altas .México, D.F 11950	
B10S	מספר דגם:
200-240 וולט CA (עם ארבע יחידות ספקי כוח AC של 1400 ואט) או	מתח חשמלי:
12 וולט DC (עם יחידת חלוקת כוח (PDU) חיצונית) 50-60 הרץ	תדר:
9 אמפר (x4) (עם ארבע יחידות ספקי כוח AC של 1400 ואט) או 480 אמפר (עם יחידת חלוקת כוח (PDU) חיצונית)	צריכת זרם:

PowerEdge C8220

להלן מידע הנוגע להתקן המתואר במסמך זה, בהתאם לדרישות של התקנים המקסיקניים הרשמיים (NOM):

Dell Inc. de México, S.A. de C.V.	יבואן:
Paseo de la Reforma 2620-11° Piso Col. Lomas Altas .México, D.F 11950	
B05B	מספר דגם:
12 וולט DC	מתח חשמלי:
42 אמפר	צריכת זרם:

מידע נוסף שאתה עשוי להזדקק לו

 **אזהרה:** עיין במידע הבטיחות והתקינה המצורף למערכת שברשותך. ייתכן שמידע על האחריות כלול במסמך זה או במסמך נפרד.


- לקבלת מידע על תכונות מארז השרת, על פתרון בעיות ועל החלפת רכיבים, עיין במדריך למשתמש של רכיבי החומרה ל-PowerEdge C8000. מסמך זה זמין בכתובת dell.com/support/manuals.
 - לקבלת מידע על תכונות המערכת, על פתרון בעיות ועל החלפת רכיבים, עיין במדריך למשתמש של רכיבי החומרה ל-PowerEdge C8220. מסמך זה זמין בכתובת dell.com/support/manuals.
 - לקבלת מידע על תכונות המערכת, על פתרון בעיות ועל החלפת רכיבים, עיין במדריך למשתמש של רכיבי החומרה ל-PowerEdge C8220X. מסמך זה זמין בכתובת dell.com/support/manuals.
 - לקבלת מידע על תכונות המערכת, על פתרון בעיות ועל החלפת רכיבים, עיין במדריך למשתמש של רכיבי החומרה ל-PowerEdge C8000XD. מסמך זה זמין בכתובת dell.com/support/manuals.
 - המדריך לבקר ניהול הלוח מספק מידע על ההתקנה ועל השימוש בכלי העזר לניהול המערכות. מסמך זה זמין בכתובת dell.com/support/manuals.
-  **הערה:** בדוק תמיד אם קיימים עדכונים והקפד לקרוא את העדכונים תחילה, משום שלעיתים קרובות הם מחליפים מידע הכלול במסמכים אחרים.

השלמת ההתקנה של מערכת ההפעלה

כדי להתקין מערכת הפעלה בפעם הראשונה, עיין בתיעוד ההתקנה וקביעת התצורה של מערכת ההפעלה. הקפד להתקין את מערכת ההפעלה לפני התקנת חומרה או תוכנה שלא נרכשו עם המערכת.

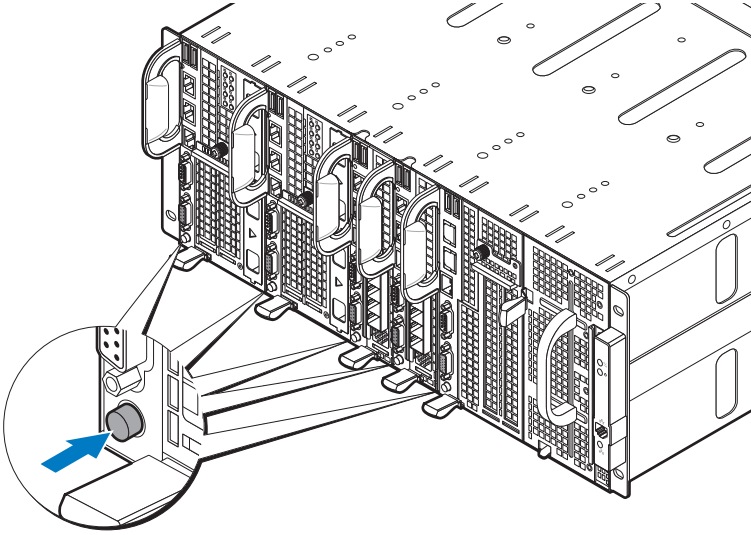
מערכות הפעלה נתמכות

- Citrix XenServer Enterprise Edition 5.6
- Citrix XenServer Enterprise Edition 6.1
- Microsoft Windows Server 2008 Enterprise Edition Release 2 (64-bit)
- Microsoft Windows Server 2012
- Microsoft Windows HPC 2008 Release 2
- Microsoft HyperV
- Red Hat Enterprise Linux 6.1 (64-bit)
- Red Hat Enterprise Linux 6.3 (64-bit)
- SUSE Linux Enterprise Server 11 SP1 (64-bit)
- Ubuntu 12.04.1 LTS 64-bit
- VMware ESXi 5.0
- VMware ESXi 5.0 U1
- VMware ESXi 5.0 U2
- VMware ESX 5.1
- VMware ESXi 5.1 U1

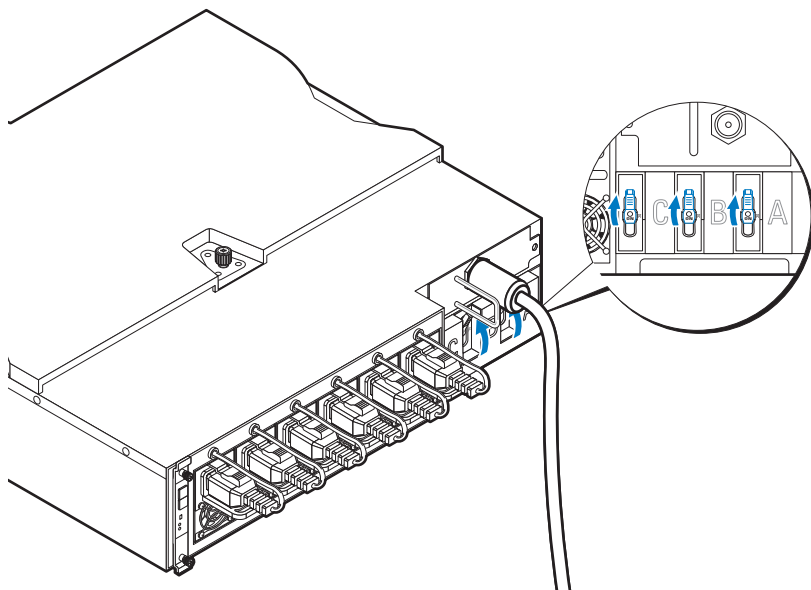
 **הערה:** למידע העדכני ביותר בנוגע למערכות ההפעלה נתמכות, ראה [.dell.com/ossupport](https://www.dell.com/ossupport)

הפעלת המדפים הנשלפים

כדי להפעיל את המדפים הנשלפים מסוג C8220 או C8220X, לחץ על לחצן ההפעלה של כל מדף נשלף, או הפעל את המדף הנשלף באמצעות בקר הניהול שבלוח הבסיס. כאשר המדף הנשלף מקבל הספק מתח, מחוון ההפעלה שבחזית המדף הנשלף דולק בצבע ירוק. כאשר המדף הנשלף למערכות אחסון מסוג C8000XD מותקן במארז השרתים, הוא מופעל באופן אוטומטי. עיין במדריך Using the Baseboard Management Controller Guide (שימוש בבקר הניהול בלוח הבסיס) בכתובת support.dell.com/manuals.



3 הפעל את המתגים הראשיים של ה-PDU על ידי העברת המתגים המסומנים A, B ו-C למצב "ON".



4 כדי לאפשר ניטור התקן ה-PDU באמצעות הרשת, הפעל את לוח ה-PMC באמצעות לחיצה על לחצן ההפעלה, הממוקם בלוח ה-PMC. כאשר ה-PDU מקבל חשמל, מחוון ההפעלה/השמל שבחזית ה-PMC דולק בצבע ירוק.

הערה: איורי לוח ה-PMC והתקן ה-PDU במדריך זה מסופקים רק לעיון. ראה את תיעוד התקן ה-PDU כדי לקבל מידע נוסף על לוח ה-PMC ועל התקן ה-PDU.

הפעלת מארז השרת

כאשר המערכת מחוברת למקור מתח, המתח הראשי מחולק באופן אוטומטי למארז השרתים. לאחר חיבור מארז השרתים למקור מתח והפעלתו, מחוון ההספק/אירועים אשר בחזית המארז נדלק, והמתח הראשי מחולק לכל המדפים הנשלפים המותקנים במארז.

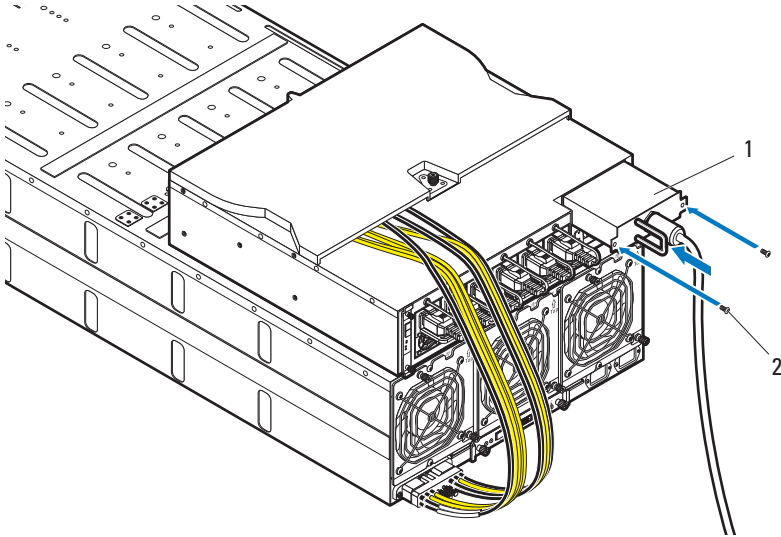
הזרמת חשמל למערכות

הפעלת ה-PDU

1 התקן את מודול ה-PCIB בתוך ה-PDU.

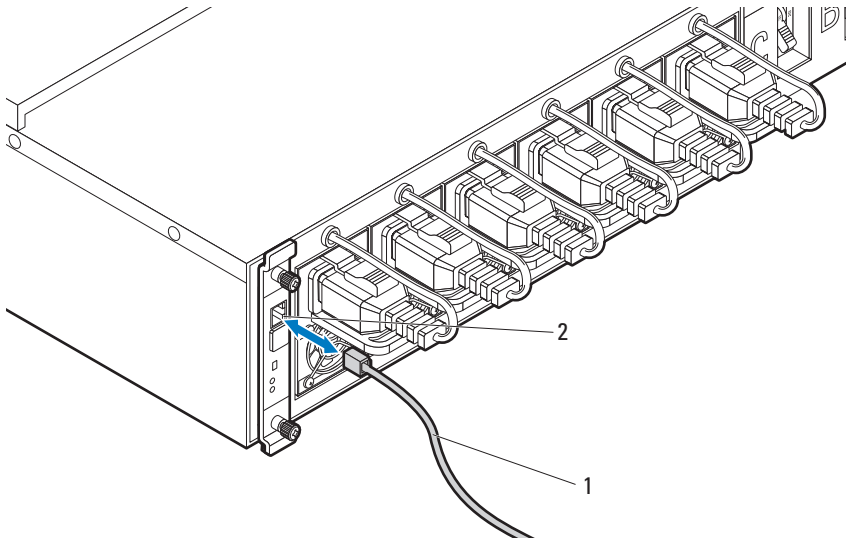
a החלק את מודול ה-PCIB אל תוך מפרץ ה-PCIB ❶

b הדק את מודול ה-PCIB לתוך ה-PDU באמצעות שני הברגים ❷.



2 חבר את ה-PDU אל מקור הכוח.

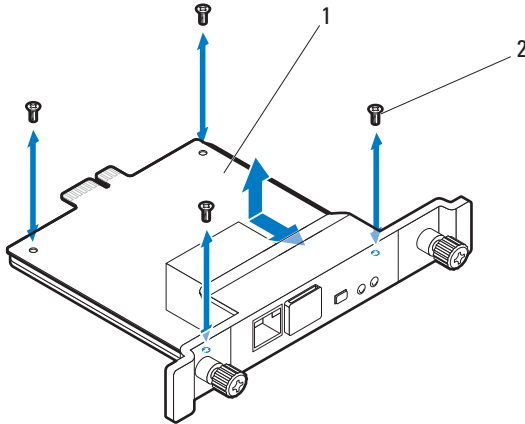
c חבר את כבל הרשת אל יציאת ה-NIC 1.



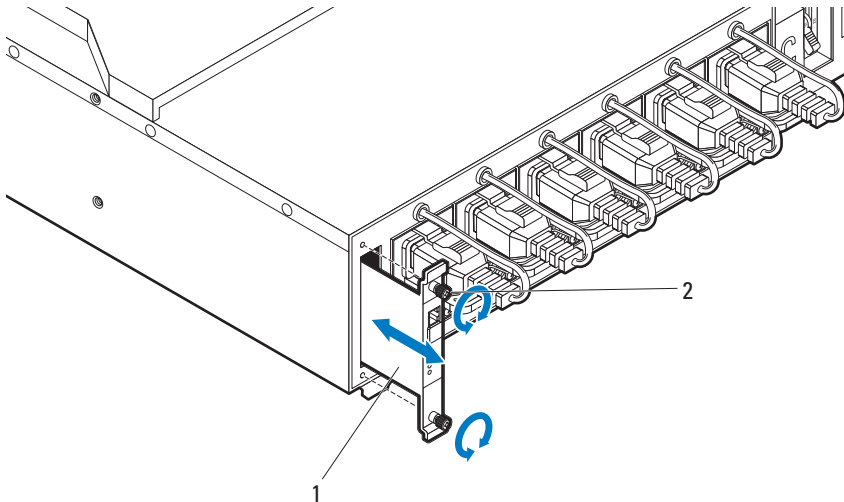
חיבור ה-PDU לרשת

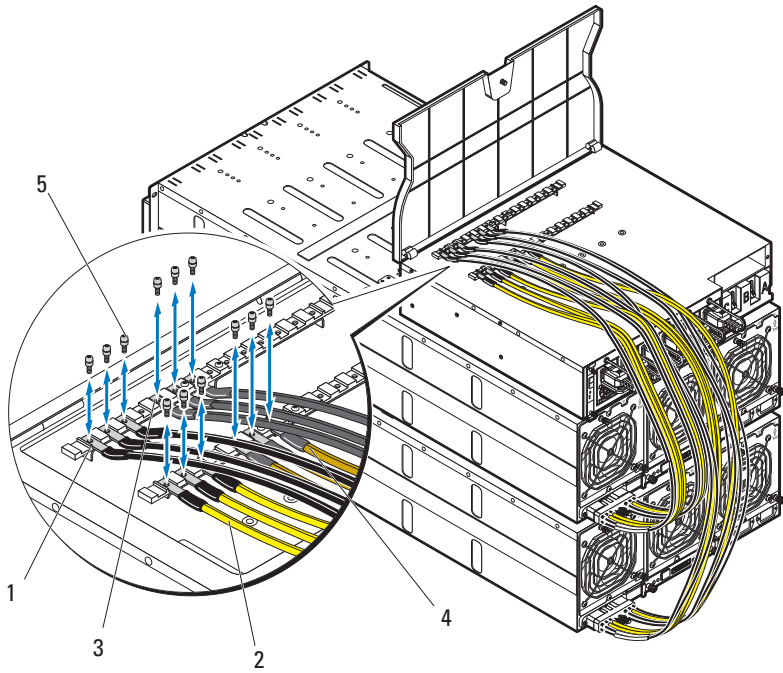
1 התקן את בקר ניהול החשמל (ה-PMC) אל תוך ה-PDU וחבר אותם אל הרשת שלך.

a אבטח את לוח ה-PMC 1 אל מגש ה-PMC באמצעות ארבעת הברגים 2.



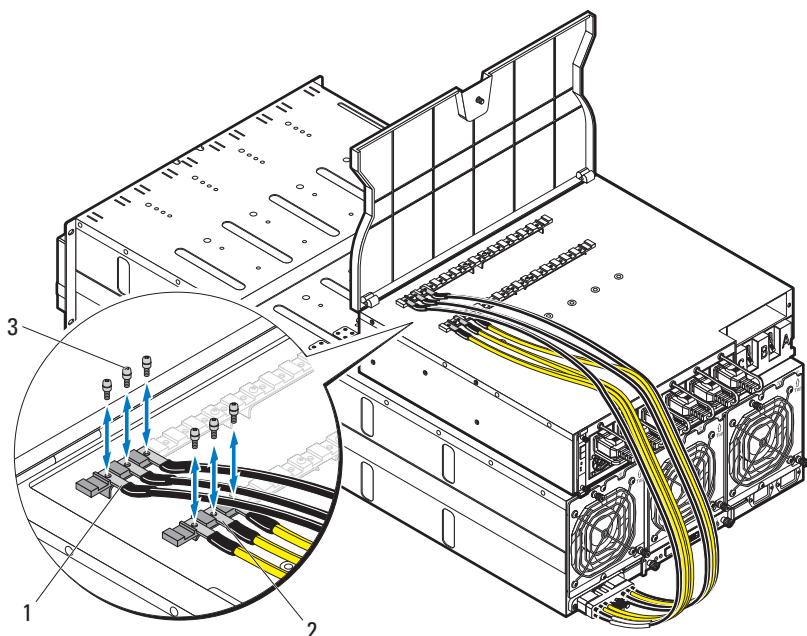
b החלק את מערך ה-PMC 1 אל תוך ה-PDU ואבטח אותם באמצעות שני בורגי הכנף 2.





הערה: ודא שכל הכבלים החשמליים מחוברים כיאות ומאובטחים אל פסי החשמל של ה-PDU.

4 סגור את כיסוי הכבלים ואבטח אותו אל ה-PDU.



כדי לחבר מספר מארזי שרת ל- PDU:

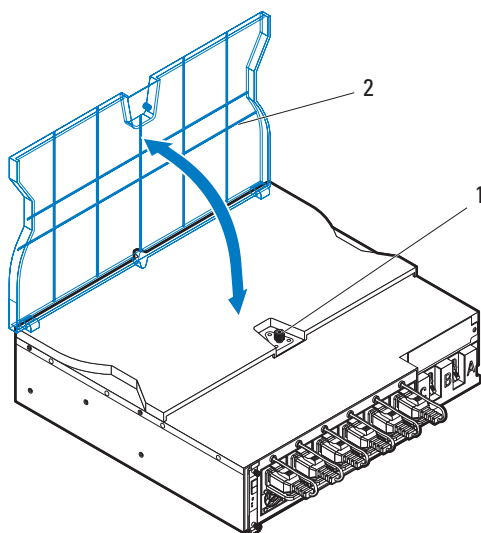
- a חבר את שלושת החיבורים של כבל החשמל השחור של ① של מארז השרת הראשון אל פס החשמל העליון (GND) באמצעות שלושת הברגים ⑤.
- b חבר את שלושת החיבורים של כבל החשמל הצהוב של ② של מארז השרת הראשון אל פס החשמל התחתון באמצעות שלושת הברגים ⑤.
- c חבר את שלושת החיבורים של כבל החשמל השחור של ③ של מארז השרת השני אל פס החשמל העליון (GND) באמצעות שלושת הברגים ⑤.
- d חבר את שלושת החיבורים של כבל החשמל הצהוב של ④ של מארז השרת השני אל פס החשמל התחתון באמצעות שלושת הברגים ⑤.

חיבור מארז השרשת אל PDU במעמד

⚠ אזהרה: אין לחבר או לנתק כבלי כוח על התקן ה-PDU בעת שה-PDU מחובר למקור כוח. כבה את המתג הראשי המחובר את ה-PDU לחשמל כדי למנוע התחשמלות שעלולה להוביל לתוצאות חמורות או למוות. העבר את מתגי ה-PDU המסומנים A, B ו-C למצב "OFF".

1 פתח את נעילת כיסוי הכבלים ①.

2 סובב את הכיסוי ② לצד האחורי, בכיוון הפונה מה-PDU.



3 חבר את כבלי מארז (או מארזי) השרת אל פס החשמל של ה-PDU.

הערה: התקן ה-PDU תומך בעד חמישה מארזי שרת PowerEdge C8000 בהתאם לתצורת המערכת ולתקצוב החשמל שלה.

כדי לחבר מארז שרת יחיד ל-PDU:

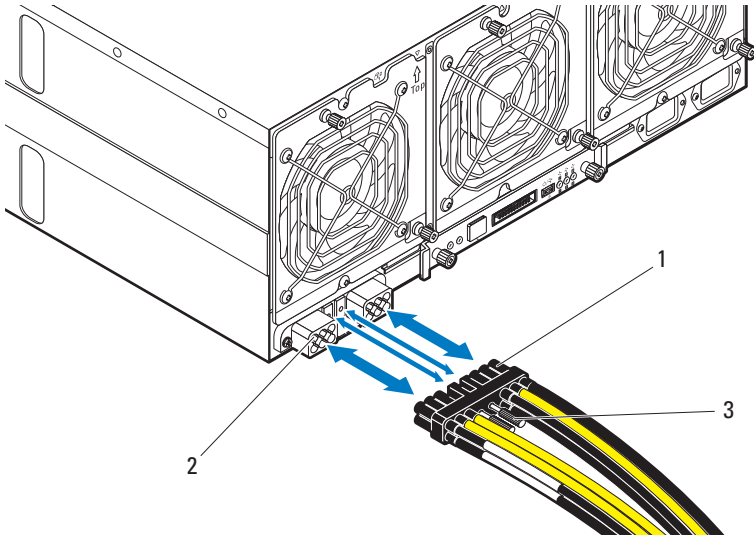
a חבר את שלושת החיבורים של כבל החשמל השחור ① אל פס החשמל העליון (GND) באמצעות שלושת הברגים ③.

b חבר את שלושת החיבורים של כבל החשמל הצהוב ② אל פס החשמל התחתון באמצעות שלושת הברגים ③.

מארז שרתים בעל ספק כוח חיצוני

⚠ אזהרה: וודא שהחשמל כבוי בכל ההתקנים והמכשירים לפני ביצוע החיבורים.

- 3 חבר בצד האחורי של המארז את כבל החשמל 1 אל שקעי החשמל בזרם ישר 2.
- 4 הדק את שני הברגים המרכזיים 3 בכבל, כדי לאבטח את החיבור.

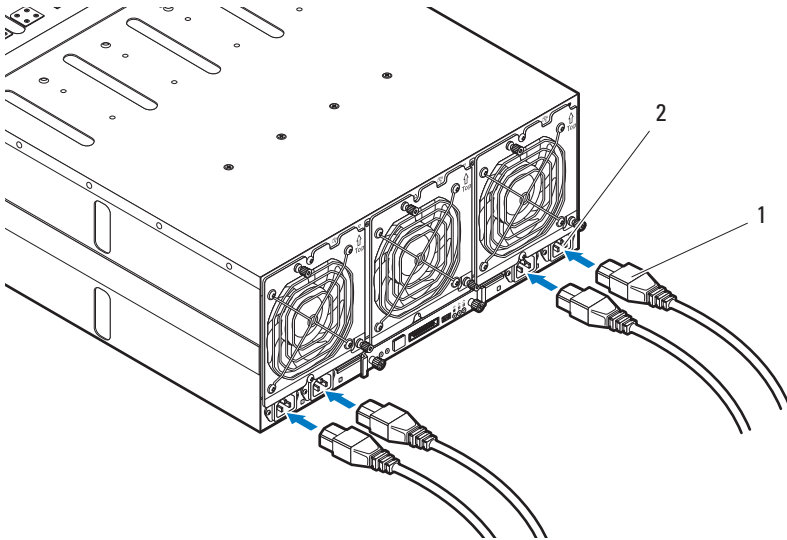


חיבור כבלי החשמל

סעיף זה כולל הוראות בדבר אופן חיבור מארז השרתים למקור חשמל חיצוני או ל-PDU חיצוני.

מארז שרתים בעל ספק כוח פנימי

1 חבר בצד האחורי של המארז את כבלי החשמל 1 אל שקעי החשמל בזרם חילופין 2.

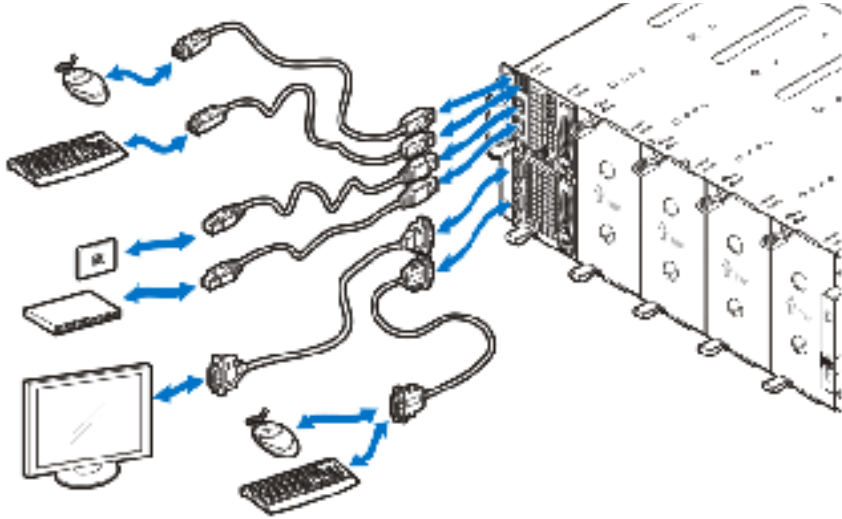


2 חבר את הקצה השני של כבלי החשמל לשקע חשמלי מוארק או למקור מתח נפרד, כגון מערכת אל-פסק או יחידת חלוקת המתח (PDU).

חיבור המקלדת, העכבר והצג

חבר למדף הנשלף מקלדת, עכבר וצג (אופציונלי).

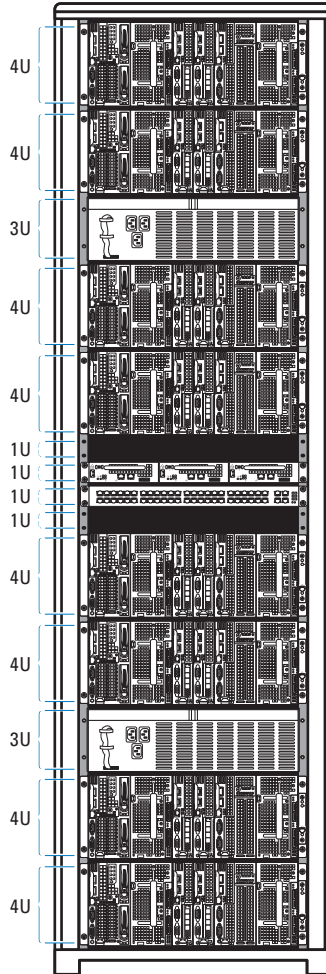
באיור שלהלן ניתן לראות חיבור לדוגמה של מקלדת, עכבר וצג למדף נשלף ברוחב כפול מסוג C8220X.



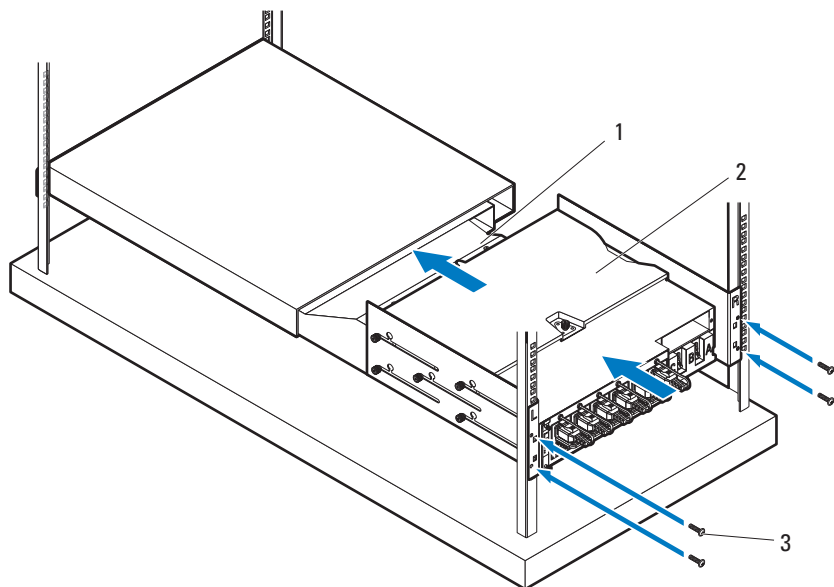
תצורת מעמד

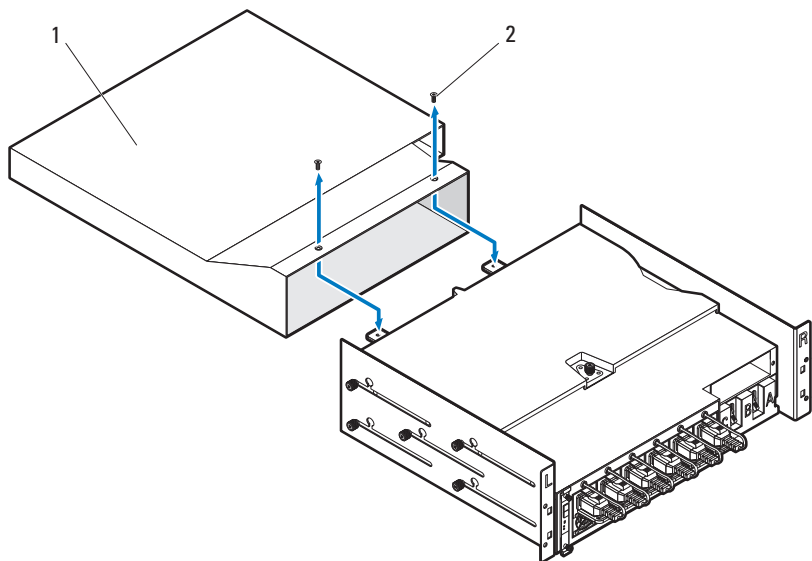
האיור שלהלן מתאר תצורת מעמד לדוגמה, כולל מארזי שרת מסוג PowerEdge C8000, התקני כוח (PDU), מתג ונתב, במעמד 42U.

הערה: האיורים המתארים את תצורת המעמד מסופקים רק למטרות עיון. 



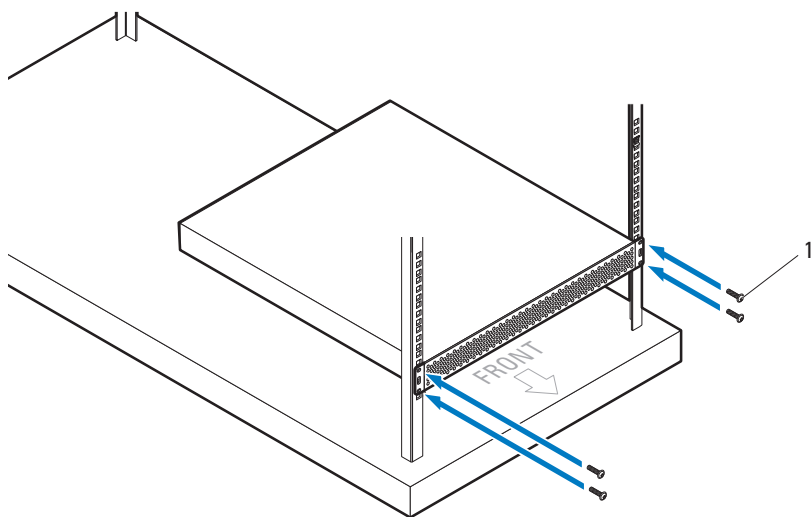
6 היעזר באדם נוסף כדי להחליק את צינור האוויר ❶ לתוך השנורקל ואבטח את צדו האחורי של ה-PDU ❷ אל עמודי המעמד באמצעות ארבעה ברגים ❸.

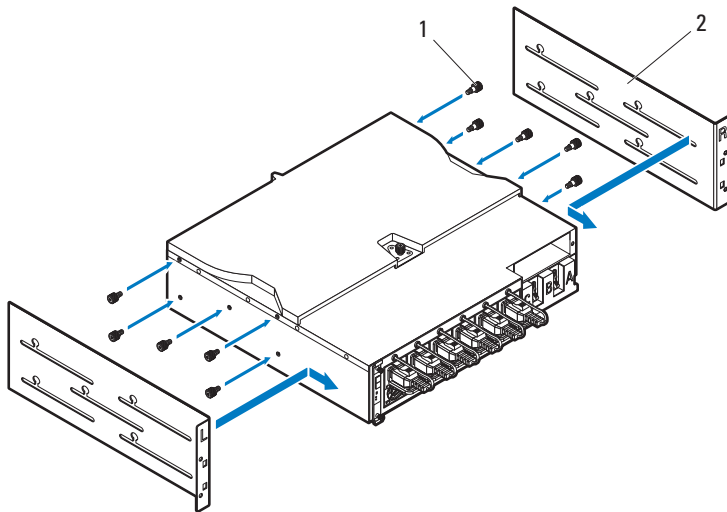




d ישר את השנורקל מול עמודי המעמד.

e אבטח את השנורקל אל ארבעת עמודי המעמד באמצעות ארבעת הברגים ①.





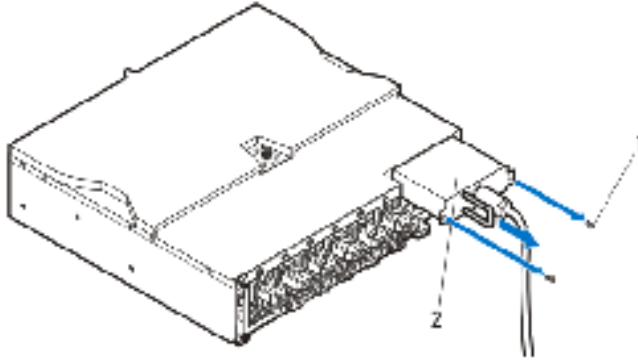
5 התקן את השנורקל ב-PDU.

- a הסר את צינור האוויר מהשנורקל.
- b ישר את צינור האוויר מול ❶ הצד הקדמי של ה-PDU.
- c הדק את צינור האוויר לצד הקדמי של ה-PDU באמצעות שני הברגים ❷.

3 שלוף את מודול תיבת ממשק כבל החשמל (ה-PCIB).

a הוצא את שני הברגים **1** המאבטחים את מודול ה-PCIB.

b אחוז בידית ה-PCIB ומשוך את המודול אל מחוץ למפרץ שלו **2**.



4 חבר את כני ההרכבה לצדדי ה-PDU.

a חבר עשרה ברגים **1** לצד השמאלי והימני של ה-PDU.

b מקם את כן ההרכבה השמאלי, המסומן באות "L" כך שיתיישר מול חורי הברגים, כאשר הברגים כבר בצד ה-PDU והחלק את כן ההרכבה לעבר הצד האחורי של ה-PDU עד שהוא ננעל במקומו **2**.

c מקם את כן ההרכבה הימני, המסומן באות "R" כך שיתיישר מול חורי הברגים, כאשר הברגים כבר בצד ה-PDU והחלק את כן ההרכבה לעבר הצד האחורי של ה-PDU עד שהוא ננעל במקומו **2**.

התקן את ה-PDU החיצוני במעמד

⚠ אזהרה: בכל פעם שעליך להרים את המערכת, בקש עזרה מאנשים אחרים. כדי למנוע אפשרות פציעה, אל תנסה להרים את המערכת בעצמך.

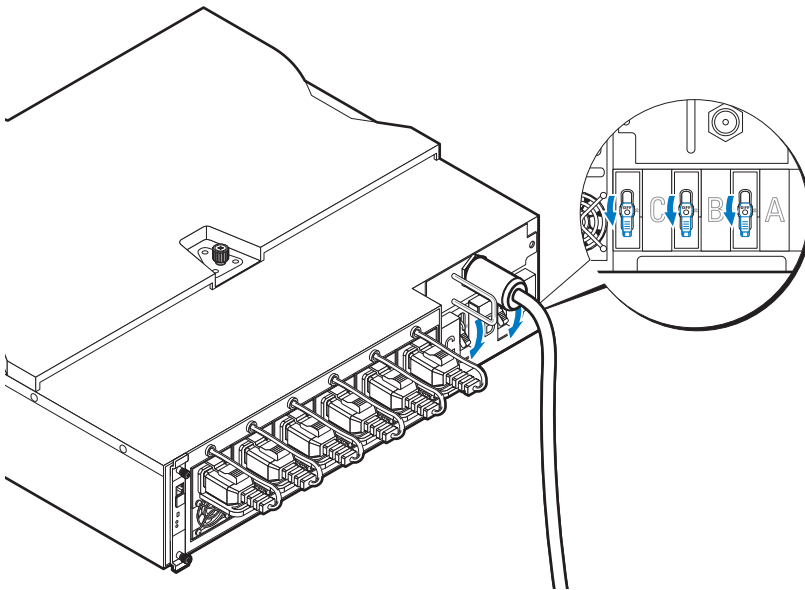
🔧 הערה: האיורים המתארים את התקן ה-PDU מסופקים רק למטרות עיון. ראה את תיעוד התקן ה-PDU כדי לקבל מידע נוסף על התקן ה-PDU.

🔧 הערה: כני ההרכבה של ה-PDU מסומנים באותיות L ו-R. הכן המסומן באות "L" מתחבר אל הצד השמאלי של התקן ה-PDU והכן המסומן באות "R" מתחבר אל הצד הימני של התקן ה-PDU.

⚠ אזהרה: אין לחבר או לנתק כבלי כוח על התקן ה-PDU בעת שה-PDU מחובר למקור כוח.

⚠ אזהרה: כבה את המתג הראשי המחובר את ה-PDU לחשמל כדי למנוע התחשמלות שעלולה להוביל לתוצאות חמורות או למוות.

1 כבה את המתגים הראשיים של ה-PDU על ידי העברת המתגים המסומנים A, B ו-C למצב "OFF".



2 נתק את ה-PDU ממקור הכוח.

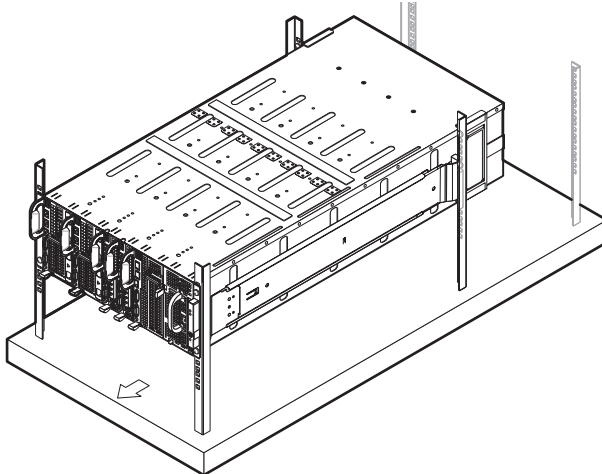
אכלוס המערכת

התראה: על מנת להבטיח תפעול וקירור נאותים, על כל מפרצי המארז להיות מלאים כל הזמן, במדפים נשלפים או בממלאי מקום מדפים נשלפים.

התראה: כדי לשמור על קירור המערכת, יש להתקין ממלאי מקום מדפים נשלפים בכל המפרצים הריקים המיועדים לכוננים קשיחים.

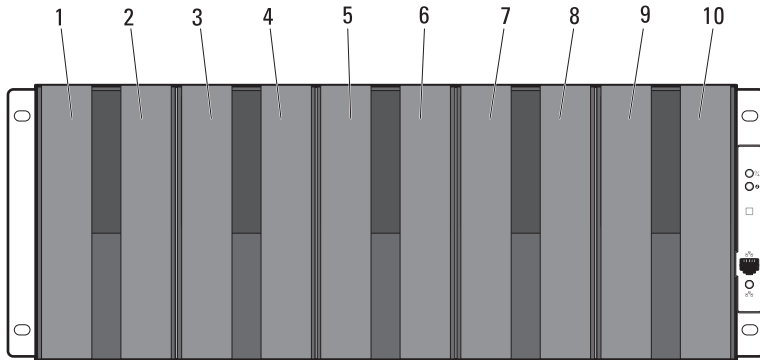
התקן את כל הרכיבים במארז השרתים PowerEdge C8000.

- כדי להתקין מדף נשלף ברוחב יחיד מסוג C8220, החלק את המדף הנשלף החדש לתוך המארז, עד שיתייצב כהלכה ותפס השחרור ייכנס למקומו בנקישה.
- כדי להתקין מדף נשלף ברוחב כפול מסוג C8220X, החלק את המדף הנשלף החדש לתוך המארז, עד שיתייצב כהלכה ותפס השחרור ייכנס למקומו בנקישה.
- כדי להתקין מדף נשלף למערכות אחסון מסוג C8000XD, החלק את המדף הנשלף החדש לתוך המארז, עד שיתייצב כהלכה ותפס השחרור ייכנס למקומו בנקישה.
- כדי להתקין מדף נשלף ריק ברוחב כפול, החלק את ממלא מקום המדף הנשלף לתוך המארז עד שיתייצב כהלכה ותפסי השחרור ייכנסו למקומם בנקישה.
- כדי להתקין מדף נשלף ריק ברוחב יחיד, החלק את ממלא מקום המדף הנשלף לתוך המארז עד שיתייצב כהלכה ותפס השחרור ייכנס למקומו בנקישה.



מספור מפרצי המדפים הנשלפים

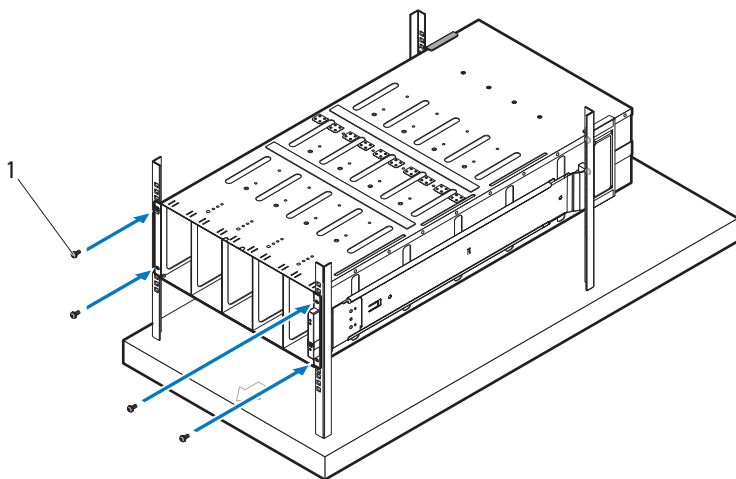
מארז השרתים PowerEdge C8000 מחולק לעשרה מפרצים אנכיים. מדף חישוב נשלף ברוחב יחיד C8220 תופס אחד ממפרצי המדפים הנשלפים ומדף חישוב ברוחב כפול C8220X או C8000XD תופס שני מפרצי מדפים במארז השרתים. בעת התקנה של מודול מדף נשלף במארז השרתים, ראשית יש להתקין את מודול המדף הנשלף בתא מדף נשלף מס' 1, ולאחר מכן להתקדם לכיוון ימין המארז.



מפרצי מדפים נשלפים										סוג מודול מדף נשלף
10	9	8	7	6 ^a	5 ^a	4	3	2	1	
√	√	√	√	√	√	√	√	√	√	מדף נשלף ברוחב יחיד מסוג C8220
√		√		√		√		√		מדף נשלף ברוחב כפול מסוג C8220X
√		√		√		√		√		מדף אחסון נשלף מסוג C8000XD מדף נשלף ^b
—	—	—	—	√	√	—	—	—	—	ספק כוח נשלף ^c

- a. מפרצים 5 ו-6 תומכים בהתקנת שני מדפי ספק כוח או שני מדפי חישוב מסוג C8220 או שילוב של שני סוגי המדפים הנשלפים.
- b. עבור מארז שרת בעל מקור כוח פנימי, ההתקן מדפי אחסון נשלפים מסוג C8000XD רק במפרצי המדפים הנשלפים מספר 23 עד 10.
- c. התקן את מדפי ספקי הכוח הנשלפים רק במפרצים מס' 5 ו-6.

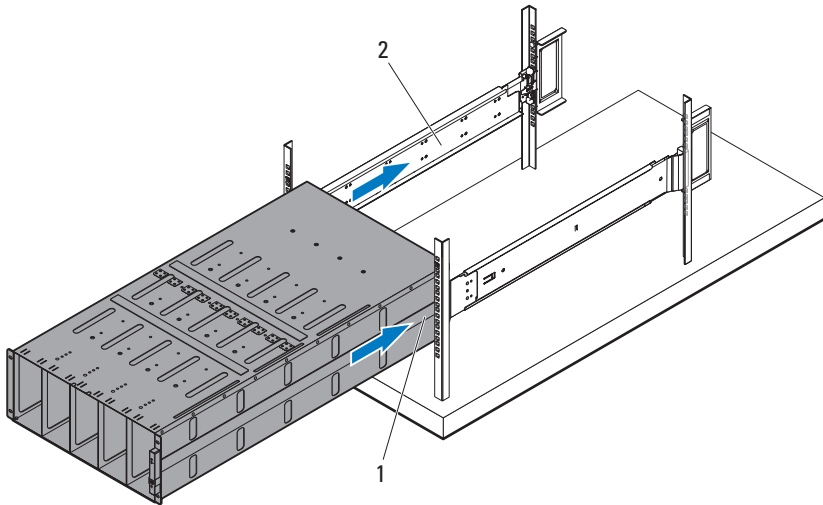
2 הצמד את הצד הקדמי של המארז אל העמודים השמאלי והימני של המעמד באמצעות ארבעת בורגי 10-32. ❶



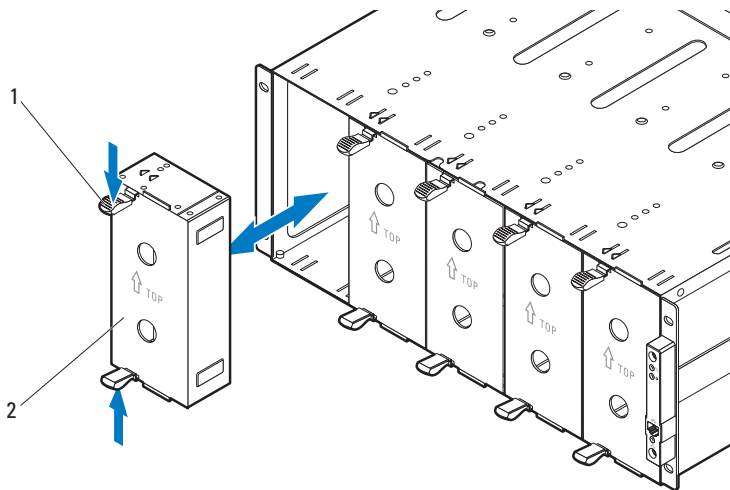
התקנת המערכת בארון התקשורת

⚠ אזהרה: בכל פעם שעליך להרים את המערכת, בקש עזרה מאנשים אחרים. כדי למנוע אפשרות פציעה, אל תנסה להרים את המערכת בעצמך.

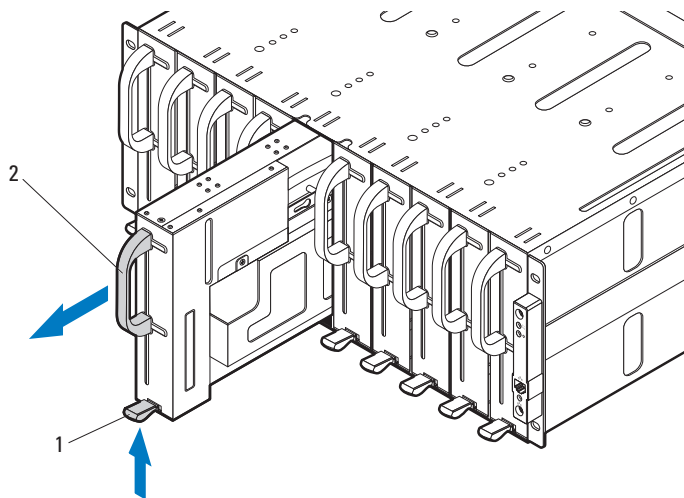
1 בסיוע האדם העוזר לך, יישר את מארז השרת **1** מול המסילות **2** ודחוף אותו כל הזרז אל תוך ארון התקשורת.



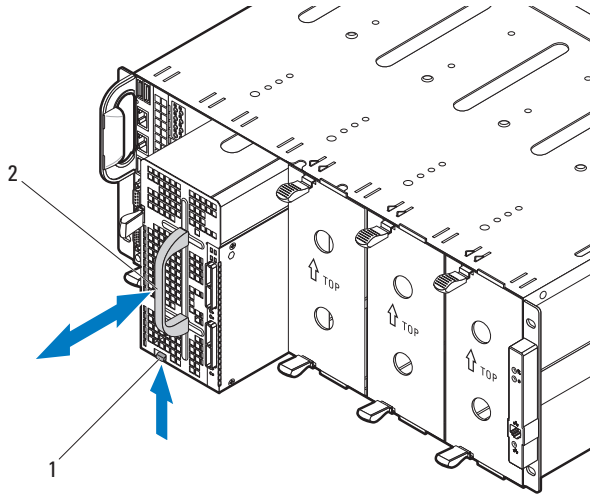
- כדי להסיר מדף נשלף ריק ברוחב כפול, צבוט והחזק את תפסי השחרור ❶ והחלק את המדף הנשלף הריק מתוך המארז ❷.



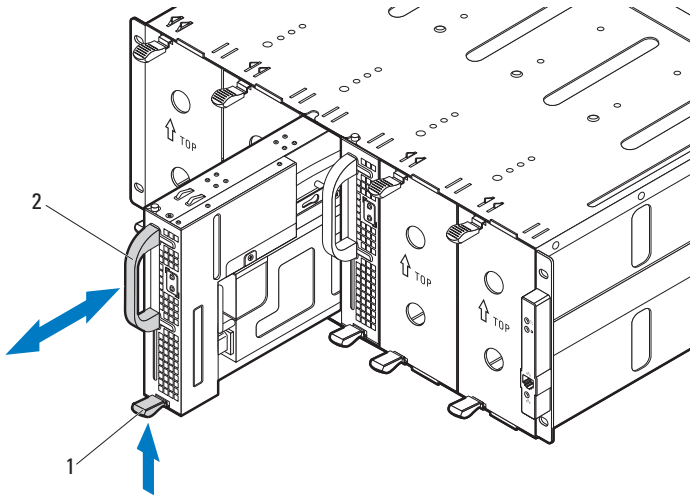
- כדי להסיר מדף נשלף ריק ברוחב יחיד, משוך כלפי מעלה את תפס השחרור ❶ ובעזרת הידית ❷ החלק את המדף הריק מתוך המארז.



- כדי להסיר מדף נשלף ברוחב כפול C8000XD, משוך והחזק את תפס השחרור ❶ ובעזרת הידית ❷ החלק את המדף הנשלף מתוך המארז.



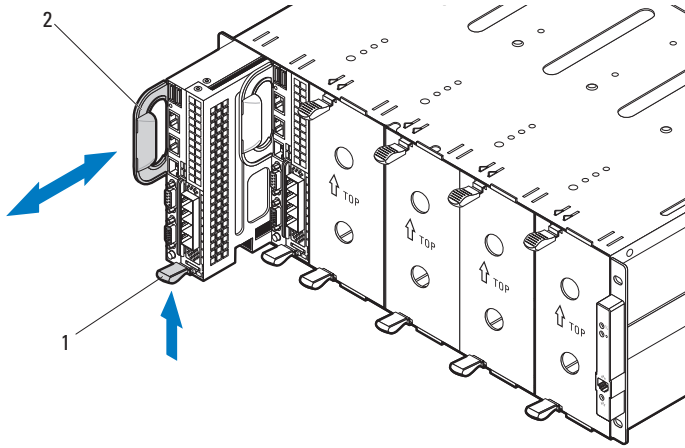
- כדי להסיר מדף נשלף של ספק הכוח, משוך כלפי מעלה את תפס השחרור ❶ ובעזרת הידית ❷ החלק את המדף הנשלף מתוך המארז.



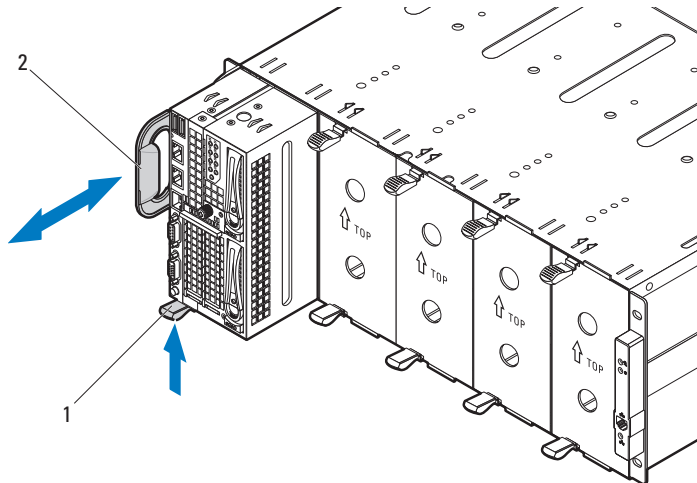
ריקון המערכת מהאריזה

לפני שתתקין מארז שרתים PowerEdge C8000 בתוך מעמד, הסר את כל מודולי המדף מתוך המארז, כדי להפחית את משקל המערכת ולהימנע מפציעה. הנח את כל מודולי המדף על משטח אנטי-סטטי.

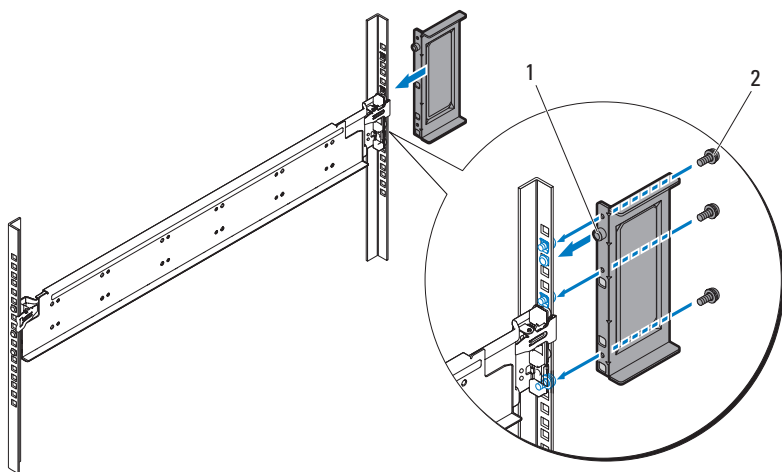
- כדי להסיר מדף נשלף ברוחב יחיד C8220, משוך כלפי מעלה את תפס השחרור **1** ובעזרת הידית **2** החלק את המדף הנשלף מתוך המארז.



- כדי להסיר מדף נשלף ברוחב כפול C8220X, משוך כלפי מעלה את תפס השחרור **1** ובעזרת הידית **2** החלק את המדף הנשלף מתוך המארז.



i ישר את מעצור כן ההרכבה ① מול העמוד האחורי של המעמד והדק אותו באמצעות שלושת בורגי 10-32 ②. סובב את הברגים במומנט פיתול של 35 ליברה/אינץ'.



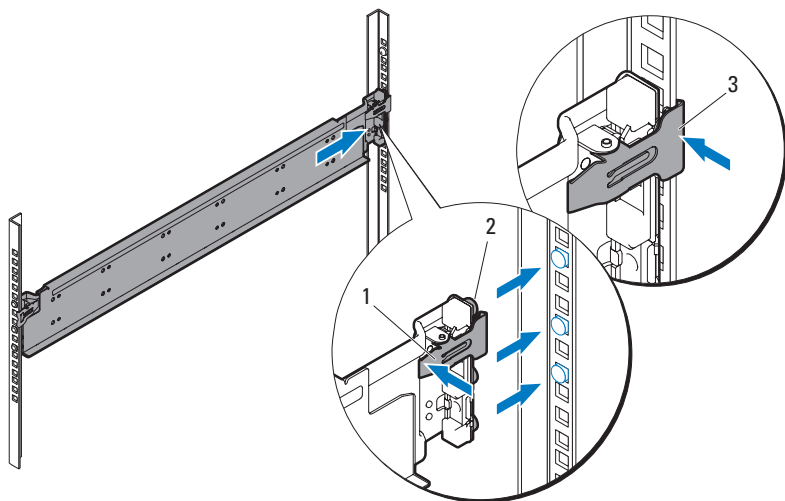
4 חבר למעמד את המסילה הימנית ואת מעצור כן ההרכבה. הפעל את אותו הנוהל כדי להתקין את המסילה הימנית ואת מעצור כן ההרכבה אל הצד הימני של המסילה.

הערה: כדי להסיר את המסילות, משוך בלחצן השחרור של התפס במרכז מעצור הקצה ושלוף כל מסילה ממקומה.

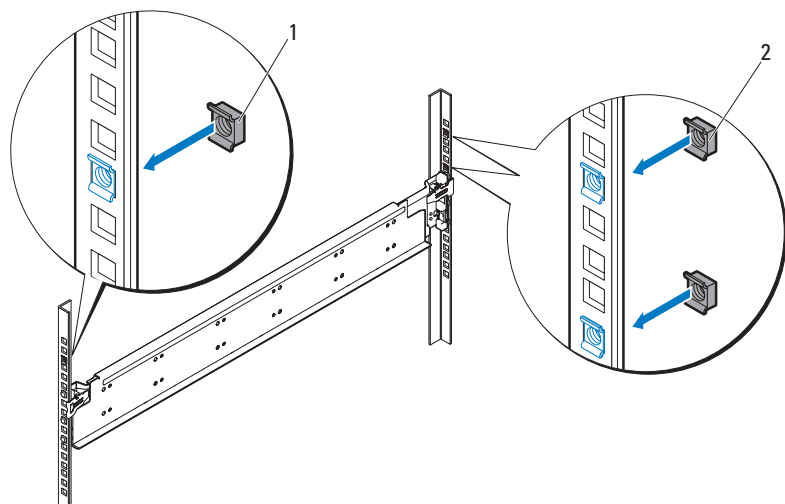
התקנת המערכת

סעיף זה כולל את סעיפי-המשנה הבאים:

- ריקון המערכת מהאריזה
- התקנת המערכת בארון התקשורת
- מספור מפרצי המדפים הנשלפים
- אכלוס המערכת
- התקן את ה-PDU החיצוני במעמד
- תצורת מעמד



h התקן אום כלוא **1** על העמוד הקדמי של הארון התקשורת ושני אומים כלואים **2** על העמוד האחורי של ארון התקשורת.



3 חבר למעמד את המסילה השמאלית ואת מעצור כן ההרכבה.

a מקם את המסילה השמאלית, המסומנת במלה "LEFT" (שמאל) כדי שתהיה מיושרת מול חורי ההרכבה בעמודי המעמד.

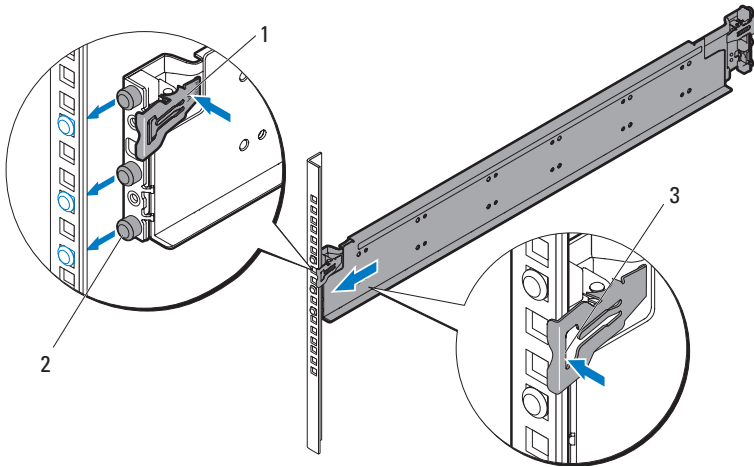
b לחץ על כפתור שחרור המסילות **1** כדי לפתוח את התפס שבצידה הקדמי של המסילה השמאלית.

c ישר את שלושת הפינים **2** מול חורי ההרכבה שבמסילה הקדמית של המעמד.

d שחרר את הכפתור **3** כאשר הוא תופס את העמוד הקדמי של קצות ארון התקשורת.

הערה: ודא שהמנגנון הכפתור של שחרור המסילה נתפס כראוי.

הערה: ניתן להשתמש במסילות בארונות תקשורת עם נקבים רבועים ועגולים גם יחד.





e לחץ על כפתור שחרור המסילות **1** כדי לפתוח את התפס שבצידה האחורי של המסילה.

f ישר את שלושת הפינים **2** מול חורי ההרכבה שבמסילה האחורית של המעמד.



g שחרר את הכפתור **3** כאשר הוא תופס את העמוד האחורי של קצות ארון התקשורת.


הוצאת המערכת מהאריזה

-  **אזהרה:** בכל פעם שעליך להרים את המערכת, בקש עזרה מאנשים אחרים. כדי למנוע אפשרות פציעה, אל תנסה להרים את המערכת בעצמך.
-  **התראה:** ענוד רצועה אנטי-סטטית על פרק כף-היד בעת הטיפול ברכיבי המערכת.


- 1 הכן מראש משטח אנטי-סטטי או קלקר אנטי-סטטי כדי להניח עליו את מארז השרתים PowerEdge C8000.
- 2 פרוק את המארז והנח אותו על משטח אנטי-סטטי או על קלקר אנטי-סטטי.
- 3 שמור את אריזות הקרטון לשימוש בעתיד.

התקנת פתרון המסילה ללא כלים

-  **אזהרה:** בכל פעם שעליך להרים את המערכת, בקש עזרה מאנשים אחרים. כדי למנוע אפשרות פציעה, אל תנסה להרים את המערכת בעצמך.
-  **אזהרה:** המערכת אינה מחוברת לארון התקשורת או מורכבת על המסילות. כדי למנוע פציעה גופנית או נזק למערכת, יש לתמוך במערכת בזמן ההתקנה וההסרה.

 **אזהרה:** כדי למנוע סכנת התחשמלות, יש להתקין מוליך הארקה בהתקנת המערכת בארון התקשורת. על הציוד בארון התקשורת לספק זרימת אוויר מספקת כדי לקרר את המערכת כראוי.

 **התראה:** על הפינים של האוגנים להגיע את קצה העמודים לצורך התקנה נאותה.

 **הערה:** המסילות מסומנות במלים LEFT (שמאל) ו-RIGHT (ימין). המסילה המסומנת במלה "LEFT" (שמאל) מתחברת לעמודים השמאליים והמסילה המסומנת במלה "RIGHT" (ימין) מתחברת לעמודים הימניים, כאשר פניך אל צדה הקדמי של המסילה.

- 1 קבע מיקום המסילות במעמד. ודא שיש מספיק מקום בארון תקשורת לתושבת ה-4U בארון תקשורת סטנדרטי, גובה של תושבת 4U מכסה 12 נקבים במעמד.
- 2 היעזר בסימונים בצד השמאלי והימני של המסילה כדי למקם את המסילה במיקום הנכון יחסית לעמודי המעמד.

⚠ התראה: אתרים עם גישה מוגבלת

שרת זה מיועד להתקנה אך ורק באתרים שהגישה אליהם מוגבלת, כהגדרתם כאשר מתקיימים שני התנאים הבאים:

- הגישה אפשרית רק לאנשי שירות או למשתמשים שקיבלו הנחיות באשר לסיבות ההגבלות החלות על האתר ולגבי אמצעי הזהירות שיש לנקוט.
- הגישה מתבצעת על ידי שימוש בכלי או במפתח ומנעול או באמצעי אבטחה אחר ונמצאת בשליטת הגורם המוסמך הנושא באחריות לאתר.

התקנה וקביעת תצורה

⚠ **אזהרה:** לפני שתבצע את ההליך הבא, עיין בהוראות הבטיחות המצורפות למערכת ופעל לפיהן.

מארז השרתים PowerEdge C8000 הוא מארז גמיש ומדרגי, בגובה 4U, המיועד להרכבה בארון תקשורת. PowerEdge C8000 כולל עשרה מפרצים למדפים נשלפים אנכיים, אשר תומכים במארז למדפים נשלפים בלבד או מארז למדפים נשלפים מעורבים. מארז למדפים נשלפים בלבד יכול לכלול עד חמישה מדפים נשלפים ברוחב כפול מסוג C8220X, עשרה מדפים נשלפים ברוחב יחיד מסוג C8220, או חמישה מדפים נשלפים למערכות אחסון אחסון מסוג C8000XD. מארז למדפים נשלפים יכול לתמוך בשילוב של סוגי מדפים נשלפים שונים.

כלים מומלצים

לפני שתתחיל לבצע את המשימות ההתחלתיות, ודא שיש ברשותך את הפריטים הבאים:

- מברג פיליפס #1
- מברג פיליפס #2
- רצועת הארקה מוארקה ומחוברת לפרק כף היד
- משטח אנטי-סטטי או קלקר אנטי-סטטי

Dell PowerEdge
C8220X , C8220 , C8000
C8000XD-ו

תחילת העבודה עם המערכת



דגם תקינה: B10S , B05B , B06B-ו

סוג תקינה: B10S001 , B05B001 ,
B06B001-ו B06B001

Printed in Poland
Vytishtëno v Polsku
Imprimé en Pologne
Gedruckt in Polen
Εκτύπωση στην Πολωνία
Wydrukowano w Polsce
Напечатано в Польше
Impreso en Polonia
Hindistan'da basılmıştır
הודפס בפולין

www.dell.com | support.dell.com



0NJK8NA04